



Welcome to [E-XFL.COM](https://www.e-xfl.com)

### What is "[Embedded - Microcontrollers](#)"?

"[Embedded - Microcontrollers](#)" refer to small, integrated circuits designed to perform specific tasks within larger systems. These microcontrollers are essentially compact computers on a single chip, containing a processor core, memory, and programmable input/output peripherals. They are called "embedded" because they are embedded within electronic devices to control various functions, rather than serving as standalone computers. Microcontrollers are crucial in modern electronics, providing the intelligence and control needed for a wide range of applications.

### Applications of "[Embedded - Microcontrollers](#)"

#### Details

Product Status	Active
Core Processor	PIC
Core Size	8-Bit
Speed	32MHz
Connectivity	I <sup>2</sup> C, LINbus, SPI, UART/USART
Peripherals	Brown-out Detect/Reset, POR, PWM, WDT
Number of I/O	18
Program Memory Size	7KB (4K x 14)
Program Memory Type	FLASH
EEPROM Size	-
RAM Size	512 x 8
Voltage - Supply (Vcc/Vdd)	2.3V ~ 5.5V
Data Converters	A/D 17x10b; D/A 1x5b
Oscillator Type	Internal
Operating Temperature	-40°C ~ 85°C (TA)
Mounting Type	Surface Mount
Package / Case	20-SSOP (0.209", 5.30mm Width)
Supplier Device Package	20-SSOP
Purchase URL	<a href="https://www.e-xfl.com/product-detail/microchip-technology/pic16f15344-i-ss">https://www.e-xfl.com/product-detail/microchip-technology/pic16f15344-i-ss</a>

# PIC16(L)F153XX

---

- Communication:
  - Up to two EUSART, RS-232, RS-485, LIN compatible
  - Up to two SPI
  - Two I<sup>2</sup>C, SMBus, PMBus™ compatible
- Up to 44 I/O Pins
  - Individually programmable pull-ups slew rate control Interrupt-on-Change with edge-select

## Analog Peripherals

- Analog-to-Digital Converter (ADC):
  - 10-bit with up to 43 external channels
  - Conversion available during Sleep
- Two Comparator:
  - Low-Power/High-Speed mode
  - Fixed Voltage Reference at (non)inverting input(s)
  - Comparator outputs externally accessible
- 5-Bit Digital-to-Analog Converter (DAC):
  - 5-bit resolution, rail-to-rail
  - Positive Reference Selection
  - Unbuffered I/O pin output
  - Internal connections to ADCs and comparators
- Voltage Reference:
  - Fixed Voltage Reference with 1.024V, 2.048V and 4.096V output level

## Flexible Oscillator Structure

- High-Precision Internal Oscillator:
  - Selectable frequency range up to 32 MHz
  - ±1% at calibration (nominal)
- x2/x4 PLL with Internal and External Sources
- Low-Power Internal 32 kHz Oscillator (LFINTOSC)
- External 32 kHz Crystal Oscillator (SOCS)
- External Oscillator Block with:
  - Three crystal/resonator modes up to 20 MHz
  - Three external clock modes up to 20 MHz
  - Fail-Safe Clock Monitor
  - Allows for safe shutdown if peripherals clock stops
  - Oscillator Start-up Timer (OST)
  - Ensures stability of crystal oscillator sources

# PIC16(L)F153XX

**TABLE 1: PIC16(L)F153XX FAMILY TYPES**

Device	Data Sheet Index	Program Flash Memory (KW)	Program Flash Memory (KB)	Storage Area Flash (B)	Data SRAM (bytes)	I/O Pins	10-Bit ADC	5-Bit DAC	Comparator	8-Bit/ (with HLT) Timer	16-Bit Timer	Window Watchdog Timer	CCP/10-Bit PWM	CWG	NCO	CLC	Zero Cross Detect	Temperature Sensor	Memory Access Partition	Device Information Area	EUSART/I <sup>2</sup> C/SPI	Peripheral Pin Select	Peripheral Module Disable	Debug <sup>(1)</sup>
PIC16F15313	(C)	2	3.5	224	256	6	5	1	1	1	2	Y	2/4	1	1	4	Y	Y	Y	Y	1/1	Y	Y	I
PIC16F15323	(C)	2	3.5	224	256	12	11	1	2	1	2	Y	2/4	1	1	4	Y	Y	Y	Y	1/1	Y	Y	I
PIC16F15324	(D)	4	7	224	512	12	11	1	2	1	2	Y	2/4	1	1	4	Y	Y	Y	Y	2/1	Y	Y	I
PIC16F15325	(B)	8	14	224	1024	12	11	1	2	1	2	Y	2/4	1	1	4	Y	Y	Y	Y	2/1	Y	Y	I
PIC16F15344	(D)	4	7	224	512	18	17	1	2	1	2	Y	2/4	1	1	4	Y	Y	Y	Y	2/1	Y	Y	I
PIC16F15345	(B)	8	14	224	1024	18	17	1	2	1	2	Y	2/4	1	1	4	Y	Y	Y	Y	2/1	Y	Y	I
PIC16F15354	(A)	4	7	224	512	25	24	1	2	1	2	Y	2/4	1	1	4	Y	Y	Y	Y	2/2	Y	Y	I
PIC16F15355	(A)	8	14	224	1024	25	24	1	2	1	2	Y	2/4	1	1	4	Y	Y	Y	Y	2/2	Y	Y	I
PIC16F15356	(E)	16	28	224	2048	25	24	1	2	1	2	Y	2/4	1	1	4	Y	Y	Y	Y	2/2	Y	Y	I
PIC16F15375	(F)	8	14	224	1024	36	35	1	2	1	2	Y	2/4	1	1	4	Y	Y	Y	Y	2/2	Y	Y	I
PIC16F15376	(E)	16	28	224	2048	36	35	1	2	1	2	Y	2/4	1	1	4	Y	Y	Y	Y	2/2	Y	Y	I
PIC16F15385	(F)	8	14	224	1024	44	43	1	2	1	2	Y	2/4	1	1	4	Y	Y	Y	Y	2/2	Y	Y	I
PIC16F15386	(E)	16	28	224	2048	44	43	1	2	1	2	Y	2/4	1	1	4	Y	Y	Y	Y	2/2	Y	Y	I

**Note 1:** I - Debugging integrated on chip.

**Data Sheet Index:**

- A:** Future Release      PIC16(L)F15354/5 Data Sheet, 28-Pin
- B:** Future Release      PIC16(L)F15325/45 Data Sheet, 14/20-Pin
- C:** Future Release      PIC16(L)F15313/23 Data Sheet, 8/14-Pin
- D:** Future Release      PIC16(L)F15324/44 Data Sheet, 14/20-Pin
- E:** Future Release      PIC16(L)F15356/76/86 Data Sheet, 28/40/48-Pin
- F:** Future Release      PIC16(L)F15375/85 Data Sheet, 40/48-Pin

**Note:** For other small form-factor package availability and marking information, visit [www.microchip.com/packaging](http://www.microchip.com/packaging) or contact your local sales office.

# PIC16(L)F153XX

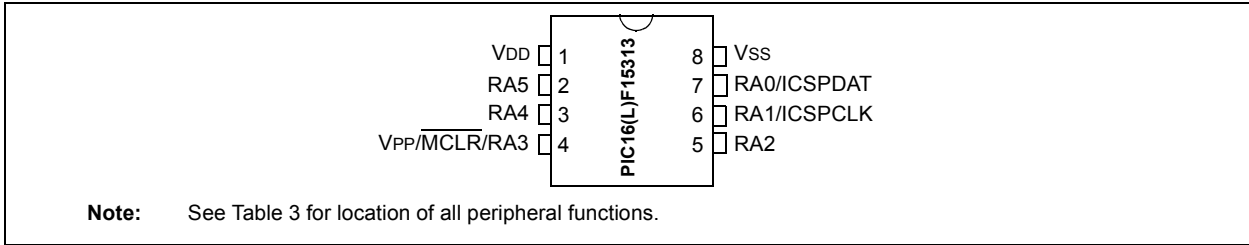
**TABLE 2: PACKAGES**

Device	(S)PDIP	SOIC	SSOP	TSSOP	(U)DFN (3x3)	QFN (4x4)	QFN (6x6)	UQFN (4x4)	TQFP	QFN (8x8)	UQFN (5x5)	UQFN (6x6)
PIC16(L)F15313	X	X	—	—	X	—	—	—	—	—	—	—
PIC16(L)F15323	X	X	—	X	—	X	—	X	—	—	—	—
PIC16(L)F15324	X	X	—	X	—	X	—	X	—	—	—	—
PIC16(L)F15325	X	X	—	X	—	X	—	X	—	—	—	—
PIC16(L)F15344	X	X	X	—	—	X	—	X	—	—	—	—
PIC16(L)F15345	X	X	X	—	—	X	—	X	—	—	—	—
PIC16(L)F15354	X	X	X	—	—	—	X	X	—	—	—	—
PIC16(L)F15355	X	X	X	—	—	—	X	X	—	—	—	—
PIC16(L)F15356	X	X	X	—	—	—	X	X	—	—	—	—
PIC16(L)F15375	X	—	—	—	—	—	—	—	X	X	X	—
PIC16(L)F15376	X	—	—	—	—	—	—	—	X	X	X	—
PIC16(L)F15385	—	—	—	—	—	—	—	—	X	—	—	X
PIC16(L)F15386	—	—	—	—	—	—	—	—	X	—	—	X

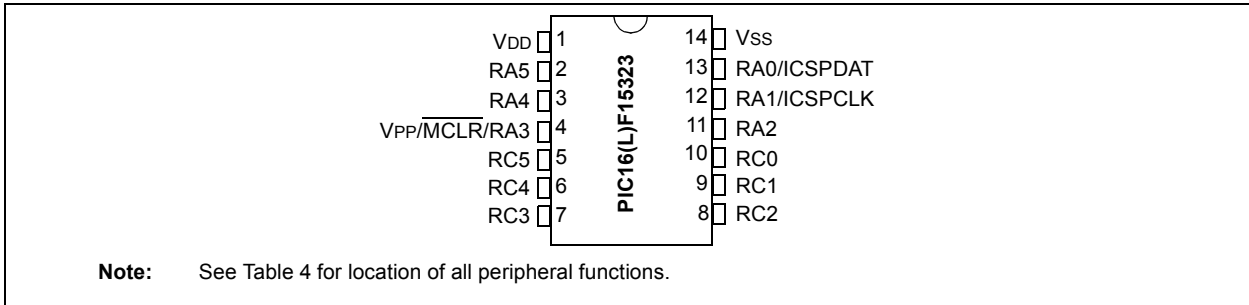
**Note:** Pin details are subject to change.

## PIN DIAGRAMS

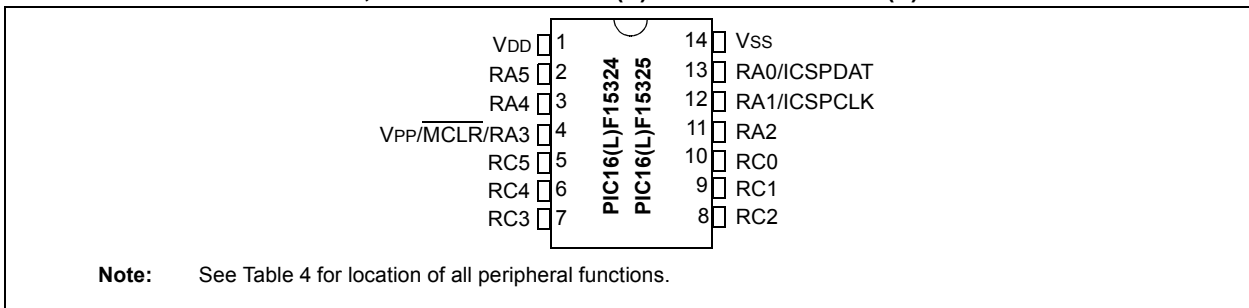
**FIGURE 1: 8-PIN PDIP, SOIC, MSOP, FOR PIC16(L)F15313**



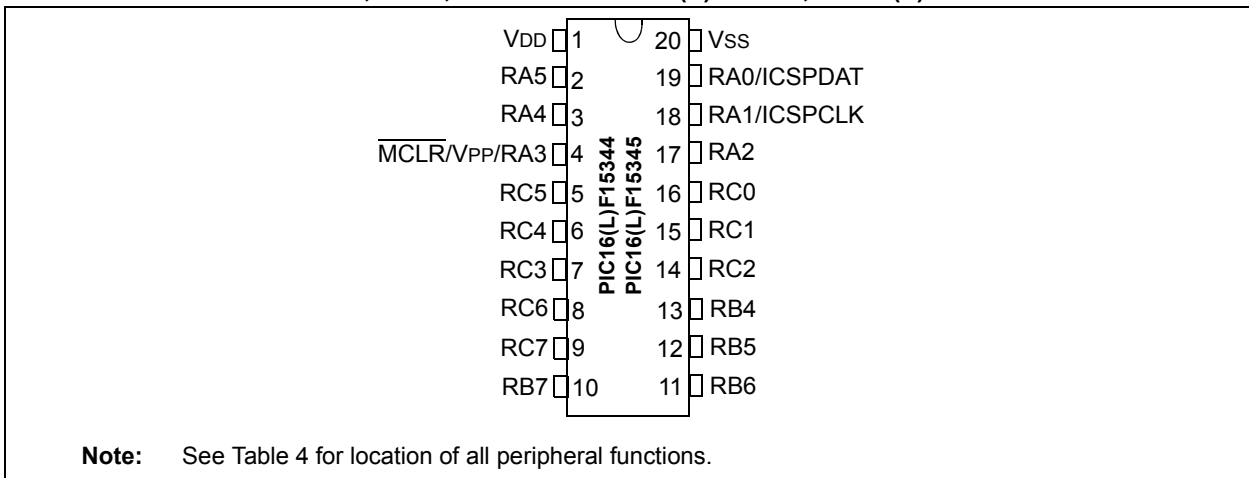
**FIGURE 2: 14-PIN PDIP, SOIC, TSSOP FOR PIC16(L)F15323**



**FIGURE 3: 14-PIN PDIP, TSSOP FOR PIC16(L)F15324 AND PIC16(L)F15325**

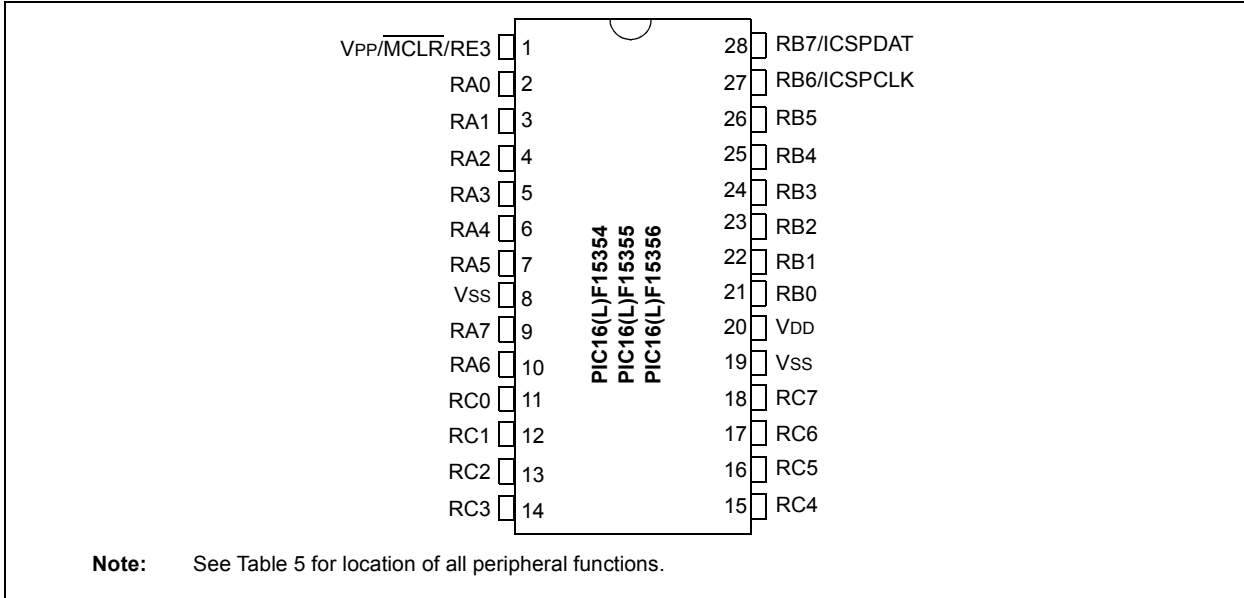


**FIGURE 4: 20-PIN PDIP, SOIC, SSOP FOR PIC16(L)F15344, PIC16(L)F15345**

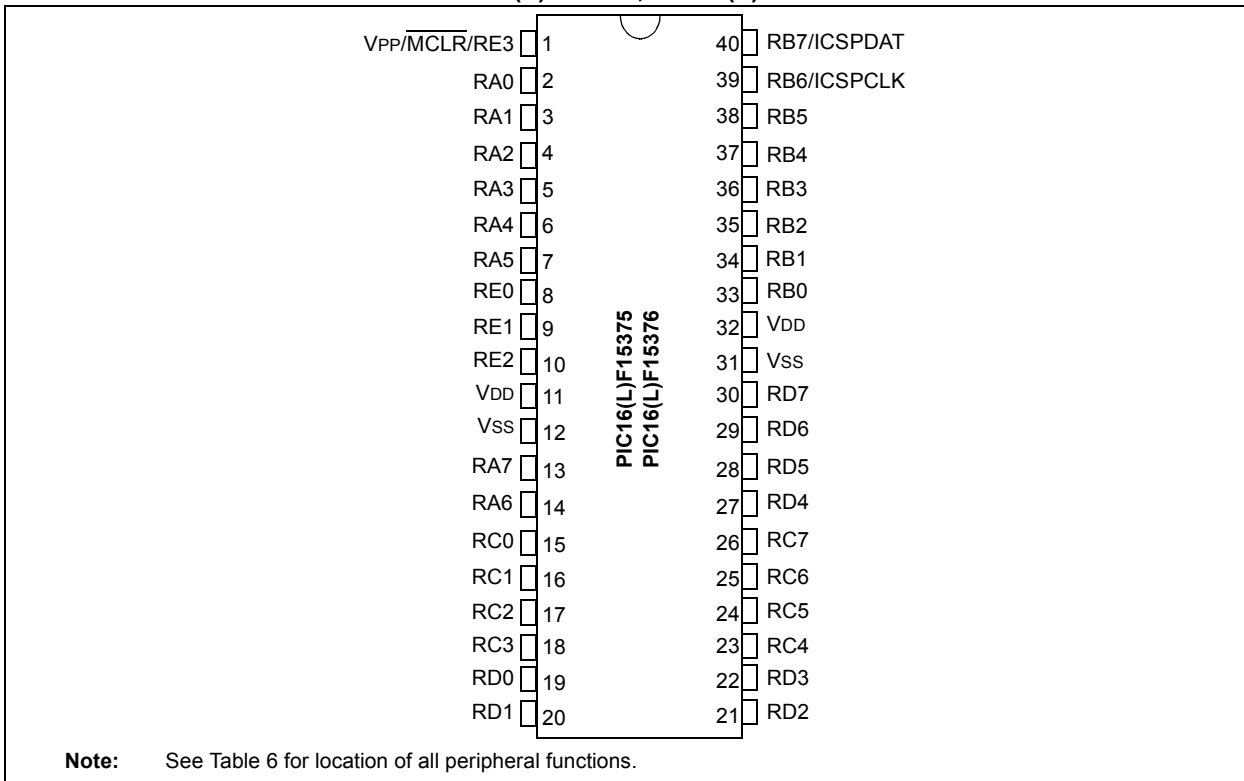


# PIC16(L)F153XX

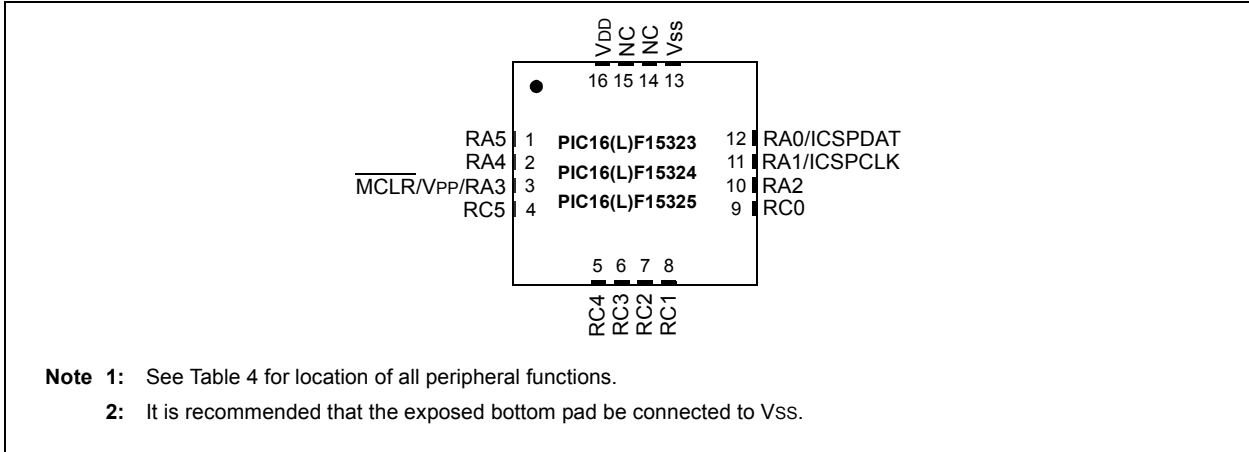
**FIGURE 5: 28-PIN PDIP, SOIC, SSOP FOR PIC16(L)F15354, PIC16(L)F15355, PIC16(L)F15356**



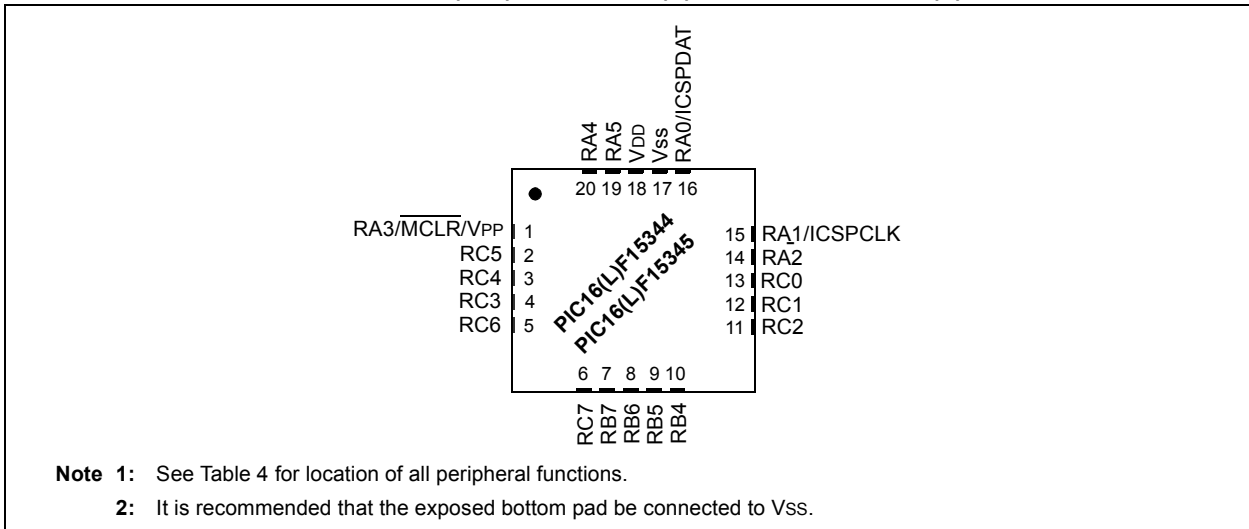
**FIGURE 6: 40-PIN PDIP FOR PIC16(L)F15375, PIC16(L)F15376**



**FIGURE 7: 16-PIN QFN/UQFN (4X4) FOR PIC16(L)F15323, PIC16(L)F15324, PIC16(L)F15325**

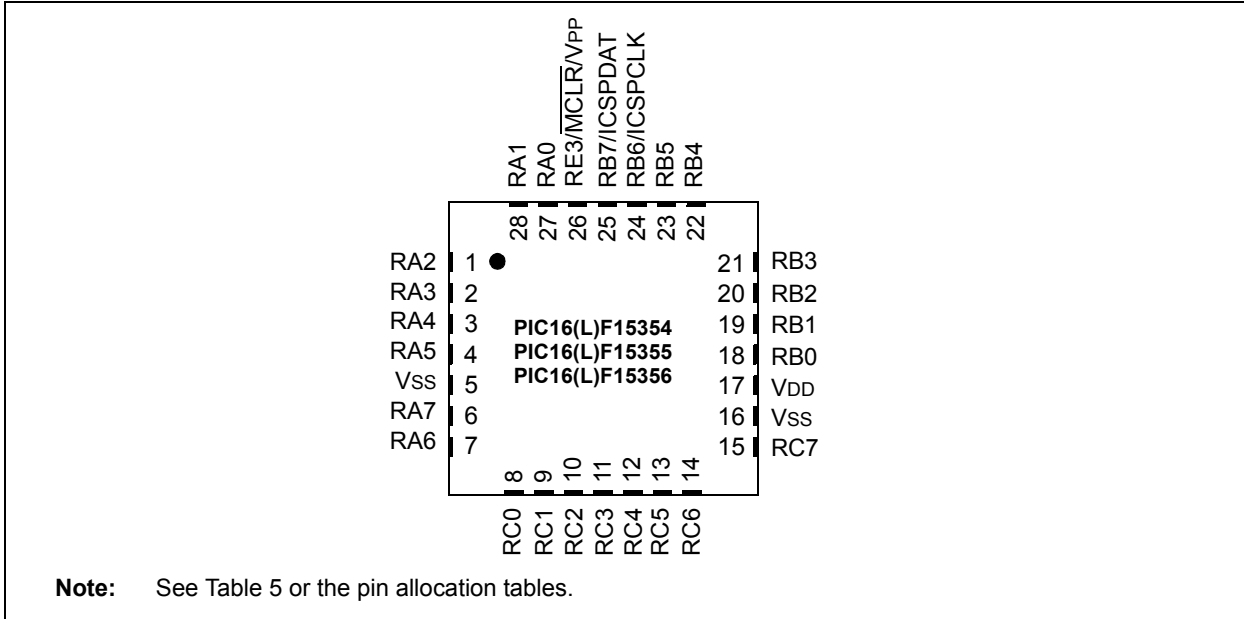


**FIGURE 8: 20-PIN QFN/UQFN (4x4) FOR PIC16(L)F15344 AND PIC16(L)F15345**

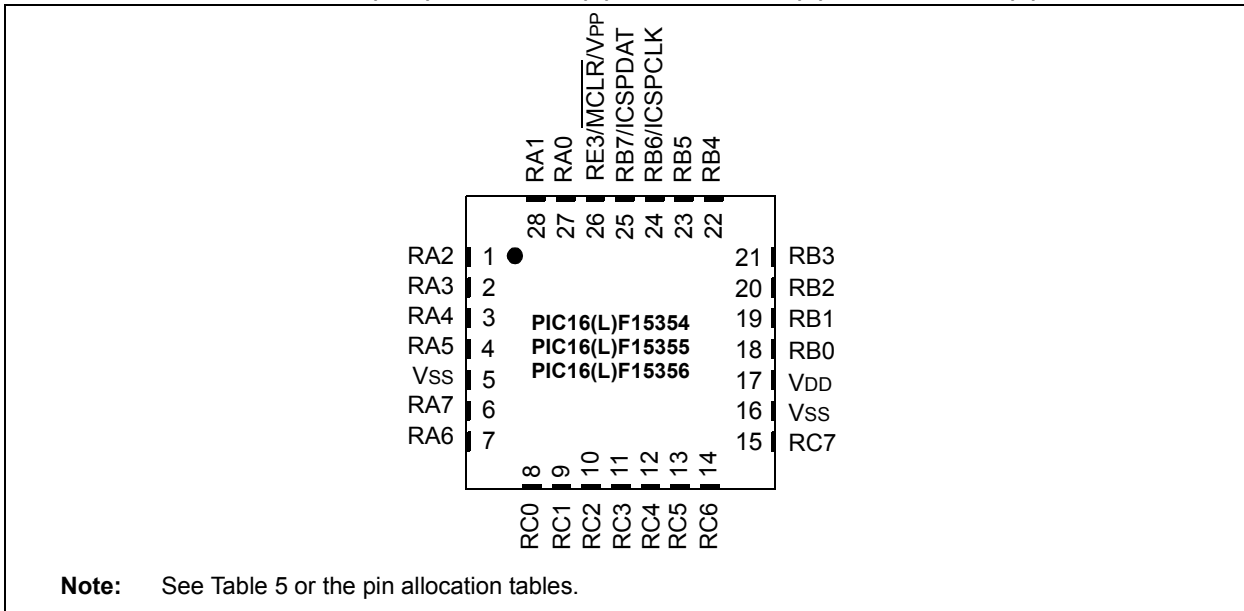


# PIC16(L)F153XX

**FIGURE 9: 28-PIN UQFN (4X4) FOR PIC16(L)F15354, PIC16(L)F15355, PIC16(L)F15356**

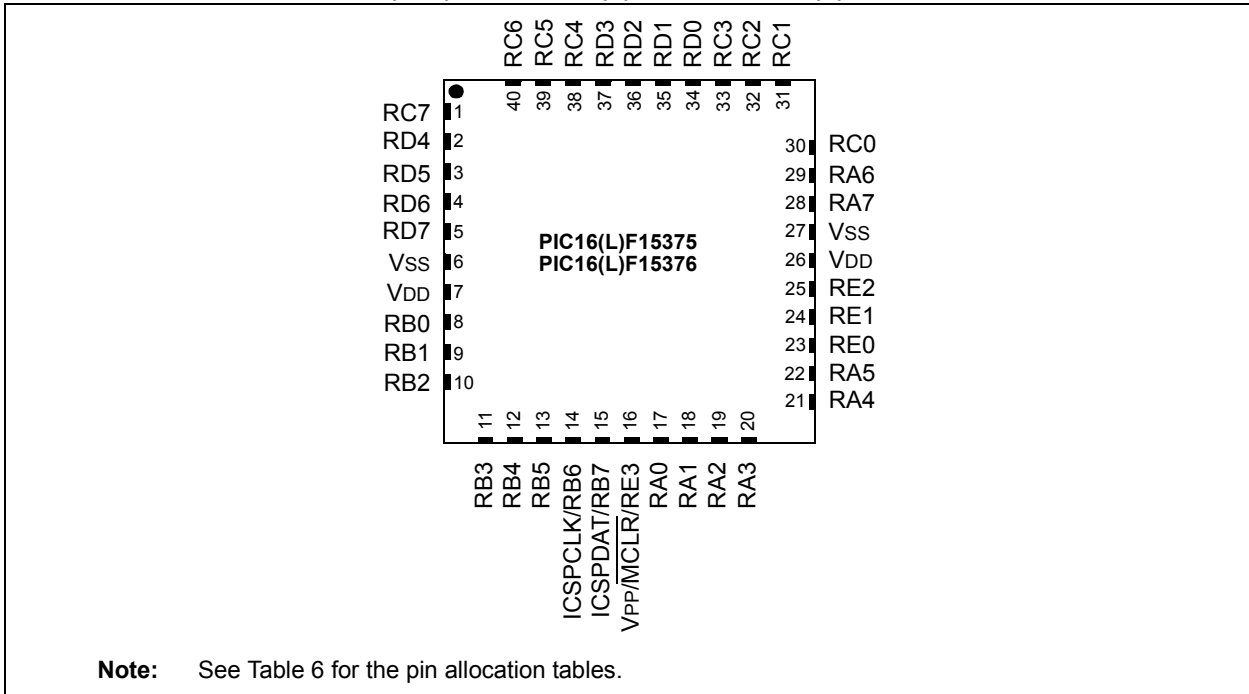


**FIGURE 10: 28-PIN QFN (6X6) FOR PIC16(L)F15354, PIC16(L)F15355, PIC16(L)F15356**

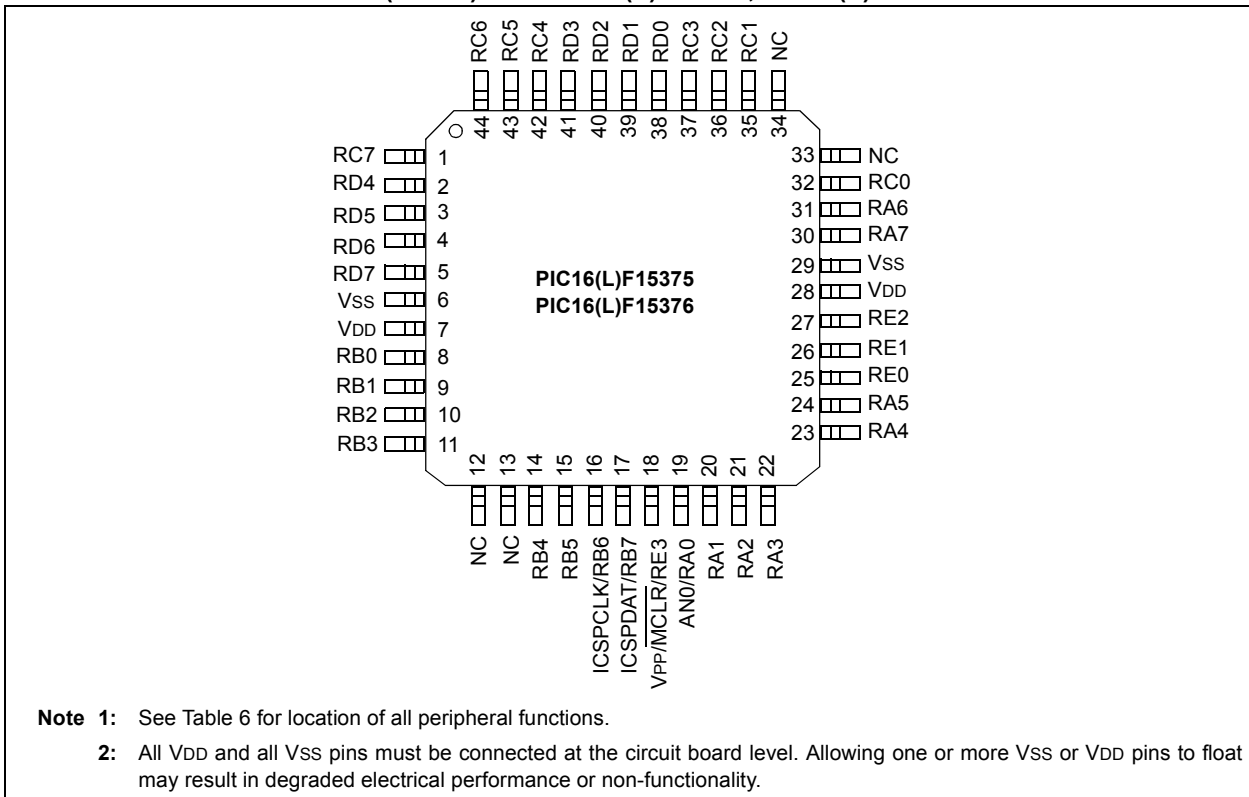




**FIGURE 11: 40-PIN UQFN (5X5) FOR PIC16(L)F15375, PIC16(L)F15376**

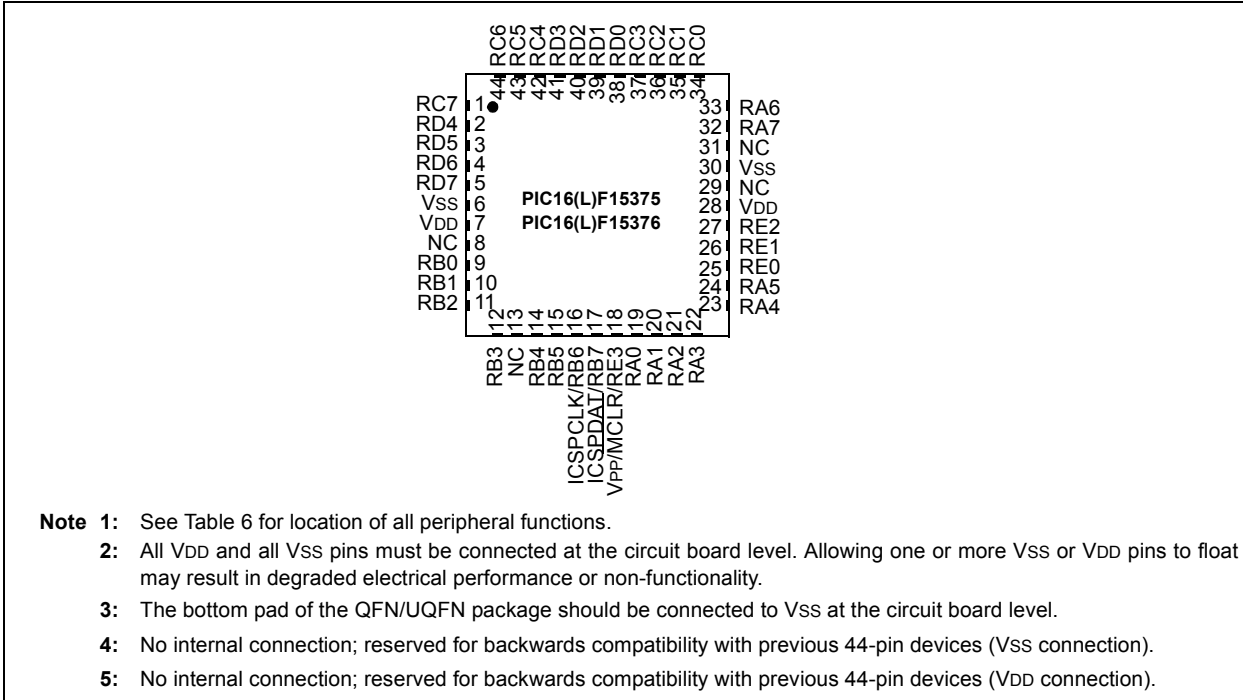


**FIGURE 12: 44-PIN TQFP (10X10) FOR PIC16(L)F15375, PIC16(L)F15376**

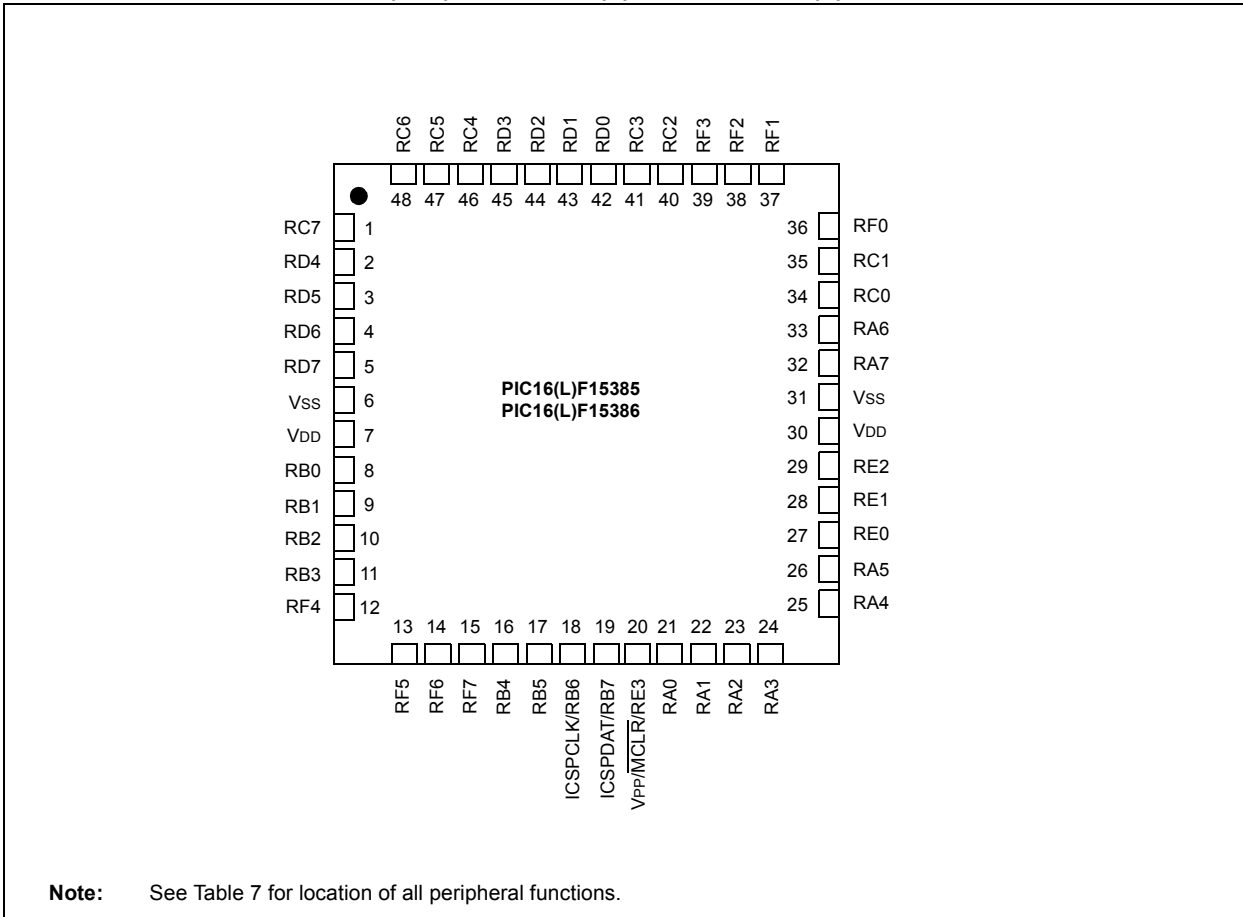


# PIC16(L)F153XX

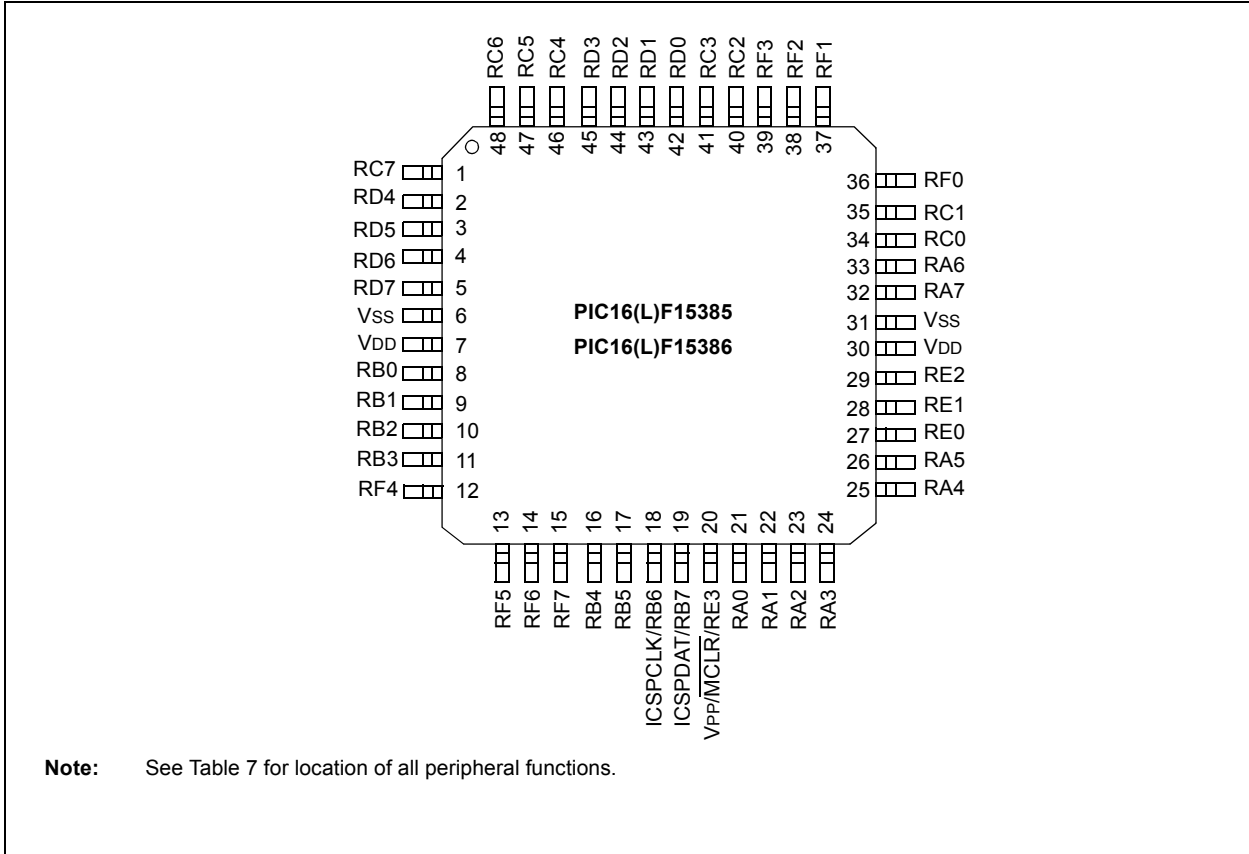
**FIGURE 13: 44-PIN QFN (8X8X0.9) FOR PIC16(L)F15375, PIC16(L)F15376**



**FIGURE 14: 48-PIN UQFN (6X6) FOR PIC16(L)F15385, PIC16(L)F15386**



**FIGURE 15: 48-PIN TQFP (7X7) FOR PIC16(L)F15385, PIC16(L)F15386**



## PIN ALLOCATION TABLES

TABLE 3: 8-PIN ALLOCATION TABLE (PIC16(L)F15313)

I/O <sup>(2)</sup>	8-Pin PDIP/SOIC/MSOP	ADC	Reference	Comparator	NCO	DAC	Timers	CCP	PWM	CWG	MSSP	ZCD	EUSART	CLC	CLKR	Interrupt	Pull-up	Basic
RA0	7	ANA0	—	C1IN0+	—	DAC1OUT	—	—	—	—	—	—	TX/CK <sup>(1)</sup>	CLCIN3 <sup>(1)</sup>	—	IOCA0	Y	ICDDAT/ ICSPDAT
RA1	6	ANA1	V <sub>REF+</sub>	C1IN0-	—	DA1 <sub>REF+</sub>	T0CKI <sup>(1)</sup>	—	—	—	SSP1CLK <sup>(1),(4)</sup> SSP1DAT <sup>(1),(4)</sup>	—	RX/DT <sup>(1)</sup>	CLCIN2 <sup>(1)</sup>	—	IOCA1	Y	ICDCLK/ ICSPCLK
RA2	5	ANA2	V <sub>REF-</sub>	—	—	DAC1 <sub>REF-</sub>	—	—	—	CWG1 <sup>(1)</sup>	SSP1CLK <sup>(1),(4)</sup> SSP1DAT <sup>(1),(4)</sup>	ZCD1	—	—	—	INT <sup>(1)</sup> IOCA2	Y	—
RA3	4	—	—	—	—	—	—	—	—	—	SSP1SS <sup>(1)</sup>	—	—	CLCIN0 <sup>(1)</sup>	—	IOCA3	Y	MCLR V <sub>PP</sub>
RA4	3	ANA4	—	C1IN1-	—	—	T1G <sup>(1)</sup> SOSCO	—	—	—	—	—	—	—	—	IOCA4	Y	CLKOUT OSC2
RA5	2	ANA5 ADACT <sup>(1)</sup>	—	—	—	—	T1CKI <sup>(1)</sup> T2IN <sup>(1)</sup> SOSCIN SOSCI	CCP1 <sup>(1)</sup> CCP2 <sup>(1)</sup>	—	—	—	—	—	CLCIN1 <sup>(1)</sup>	—	IOCA5	Y	CLKIN OSC1 EIN
V <sub>DD</sub>	1	—	—	—	—	—	—	—	—	—	—	—	—	—	—	—	—	V <sub>DD</sub>
V <sub>SS</sub>	8	—	—	—	—	—	—	—	—	—	—	—	—	—	—	—	—	V <sub>SS</sub>
OUT <sup>(2)</sup>	—	—	—	C1OUT	NCO1OUT	—	TMR0	CCP1	PWM3	CWG1A	SDO1	—	DT1 <sup>(3)</sup>	CLC1OUT	CLKR	—	—	—
	—	—	—	C2OUT	—	—	—	CCP2	PWM4	CWG1B	SCK1	—	CK1	CLC2OUT	—	—	—	—
	—	—	—	—	—	—	—	—	PWM5	CWG1C	SCL1 <sup>(3),(4)</sup>	—	TX1	CLC3OUT	—	—	—	—
	—	—	—	—	—	—	—	—	PWM6	CWG1D	SDA1 <sup>(3),(4)</sup>	—	—	CLC4OUT	—	—	—	—

- Note**
- 1: This is a PPS remappable input signal. The input function may be moved from the default location shown to one of several other PORTx pins.
  - 2: All digital output signals shown in this row are PPS re-mappable. These signals may be mapped to output onto one of several PORTx pin options.
  - 3: This is a bidirectional signal. For normal module operation, the firmware should map this signal to the same pin in both the PPS input and PPS output registers.
  - 4: These pins are configured for I<sup>2</sup>C logic levels. PPS assignments to the other pins will operate, but input logic levels will be standard TTL/ST as selected by the INLVL register, instead of the I<sup>2</sup>C specific or SMBUS input buffer thresholds.

TABLE 4: 14/16/20-PIN ALLOCATION TABLE (PIC16(L)F15323, PIC16(L)F15324, PIC16(L)F15325, PIC16(L)F15344, PIC16(L)F15345)

I/O <sup>(2)</sup>	14-Pin PDIP/SOIC/TSSOP	16-Pin QFN/UQFN	20-Pin PDIP/SOIC/SSOP	20-Pin QFN	ADC	Reference	Comparator	NCO	DAC	Timers	CCP	PWM	CWG	MSSP	ZCD	EUSART	CLC	CLKR	Interrupt	Pull-up	Basic
RA0	13	12	19	16	ANA0	—	C1IN0+	—	DAC1OUT	—	—	—	—	—	—	—	—	—	IOCA0	Y	ICDDAT/ ICSPDAT
RA1	12	11	18	15	ANA1	V <sub>REF+</sub>	C1IN0-	—	DA1REF+	TOCKI <sup>(1)</sup>	—	—	—	—	—	—	—	—	IOCA1	Y	ICDCLK/ ICSPCLK
RA2	11	10	17	14	ANA2	V <sub>REF-</sub>	—	—	DAC1REF-	—	—	—	CWG1 <sup>(1)</sup>	—	ZCD1	—	CLCIN0 <sup>(1),(6)</sup>	—	INT <sup>(1)</sup> IOCA2	Y	—
RA3	4	3	4	1	—	—	—	—	—	—	—	—	—	—	—	—	—	—	IOCA3	Y	MCLR V <sub>PP</sub>
RA4	3	2	3	20	ANA4	—	C1IN1-	—	—	T1G <sup>(1)</sup> SOSCO	—	—	—	—	—	—	—	—	IOCA4	Y	CLKOUT OSC2
RA5	2	1	2	19	ANA5	—	—	—	—	T1CKI <sup>(1)</sup> T2IN SOSCIN SOSCI	—	—	—	—	—	—	CLCIN3 <sup>(1),(5)</sup>	—	IOCA5	Y	CLKIN OSC1 EIN
RC0	10	9	16	13	ANC0	—	C2IN0+	—	—	—	—	—	—	SSP1CLK <sup>(1),(5)</sup> SSP1DAT <sup>(1),(5)</sup>	—	—	—	—	IOCC0	Y	—
RC1	9	8	15	12	ANC1	—	C1IN1- C2IN1-	—	—	—	—	—	—	SSP1CLK <sup>(1),(5)</sup> SSP1DAT <sup>(1),(5)</sup>	—	—	CLCIN2 <sup>(1),(5)</sup>	—	IOCC1	Y	—
RC2	8	7	14	11	ANC2	—	C1IN2- C2IN2-	—	—	—	—	—	—	—	—	—	—	—	IOCC2	Y	—
RC3	7	6	7	4	ANC3	—	C1IN3- C2IN3-	—	—	—	CCP2	—	—	SSP1SS <sup>(5)</sup>	—	—	CLCIN1 <sup>(1),(6)</sup> CLCIN0 <sup>(1),(5)</sup>	—	IOCC3	Y	—
RC4	6	5	6	3	ANC4	—	—	—	—	—	—	—	—	SSP2CLK <sup>(1),(5)</sup> SSP2DAT <sup>(1),(5)</sup>	—	TX1/CK1 <sup>(5)</sup>	CLCIN1 <sup>(1),(5)</sup>	—	IOCC4	Y	—
RC5	5	4	5	2	ANC5	—	—	—	—	—	CCP1	—	—	SSP1CLK <sup>(1),(5)</sup> SSP1DAT <sup>(1),(5)</sup>	—	RX1/DT1 <sup>(5)</sup>	—	—	IOCC5	Y	—
RC6	—	—	8	5	ANC6	—	—	—	—	—	—	—	—	SSP1SS <sup>(6)</sup>	—	—	—	—	IOCC6	Y	—
RC7	—	—	9	6	ANC7	—	—	—	—	—	—	—	—	—	—	—	—	—	IOCC7	Y	—
RB4	—	—	13	10	ANB4 ADACT <sup>(1)</sup>	—	—	—	—	—	—	—	—	SSP1CLK <sup>(1),(6)</sup> SSP1DAT <sup>(1),(6)</sup>	—	—	CLCIN2 <sup>(1),(6)</sup>	—	IOCB4	—	—
RB5	—	—	12	9	ANB5	—	—	—	—	—	—	—	—	SSP2CLK <sup>(1),(6)</sup> SSP2DAT <sup>(1),(6)</sup>	—	RX1/DT1 <sup>(6)</sup>	CLCIN3 <sup>(1),(6)</sup>	—	IOCB5	—	—

**TABLE 4: 14/16/20-PIN ALLOCATION TABLE (PIC16(L)F15323, PIC16(L)F15324, PIC16(L)F15325, PIC16(L)F15344, PIC16(L)F15345)**

I/O <sup>(2)</sup>	14-Pin PDIP/SOIC/TSSOP	16-Pin QFN/UQFN	20-Pin PDIP/SOIC/SSOP	20-Pin QFN	ADC	Reference	Comparator	NCO	DAC	Timers	CCP	PWM	CWG	MSSP	ZCD	EUSART	CLC	CLKR	Interrupt	Pull-up	Basic	
RB6	—	—	11	8	ANB6	—	—	—	—	—	—	—	—	SSP1CLK <sup>(1),(6)</sup> SSP1DAT <sup>(1),(6)</sup>	—	—	—	—	IOCB6	Y	—	
RB7	—	—	10	7	ANB7	—	—	—	—	—	—	—	—	SSP2CLK <sup>(1),(6)</sup> SSP2DAT <sup>(1),(6)</sup>	—	TX1/CK1 <sup>(6)</sup>	—	—	IOCB7	Y	—	
V <sub>DD</sub>	1	16	1	18	—	—	—	—	—	—	—	—	—	—	—	—	—	—	—	—	V <sub>DD</sub>	
V <sub>SS</sub>	14	13	20	17	—	—	—	—	—	—	—	—	—	—	—	—	—	—	—	—	—	V <sub>SS</sub>
OUT <sup>(2)</sup>	—	—	—	—	—	—	C1OUT	NCO1OUT	—	TMR0	CCP1	PWM3	CWG1A	SDO1 SDO2	—	DT1 <sup>(3)</sup>	CLC1OUT	CLKR	—	—	—	
	—	—	—	—	—	—	C2OUT	—	—	—	CCP2	PWM4	CWG1B	SCK1 SCK2	—	CK1	CLC2OUT	—	—	—	—	
	—	—	—	—	—	—	—	—	—	—	—	PWM5	CWG1C	SCL1 <sup>(3),(4)</sup> SCL2 <sup>(3),(4)</sup>	—	TX1	CLC3OUT	—	—	—	—	
	—	—	—	—	—	—	—	—	—	—	—	PWM6	CWG1D	SDA1 <sup>(3),(4)</sup> SDA2 <sup>(3),(4)</sup>	—	—	CLC4OUT	—	—	—	—	

- Note**
- 1: This is a PPS re-mappable input signal. The input function may be moved from the default location shown to one of several other PORTx pins.
  - 2: All digital output signals shown in this row are PPS re-mappable. These signals may be mapped to output onto one of several PORTx pin options.
  - 3: This is a bidirectional signal. For normal module operation, the firmware should map this signal to the same pin in both the PPS input and PPS output registers.
  - 4: These pins are configured for I<sup>2</sup>C logic levels. PPS assignments to the other pins will operate, but input logic levels will be standard TTL/ST as selected by the INLVL register, instead of the I<sup>2</sup>C specific or SMBUS input buffer thresholds.
  - 5: For 14 and 16-pin package only.
  - 6: For 20-pin package only.

**TABLE 5: 28-PIN ALLOCATION TABLE (PIC16(L)F15354, PIC16(L)F15355, PIC16(L)F15356)**

I/O <sup>(2)</sup>	28-Pin PDIP/SSOP	28-Pin (U)QFN	ADC	Reference	Comparator	NCO	DAC	Timers	CCP	PWM	CWG	MSSP	ZCD	EUSART	CLC	CLKR	Interrupt	Pull-up	Basic
RA0	2	27	ANA0	—	C1IN0- C2IN0-	—	—	—	—	—	—	—	—	—	CLCIN0 <sup>(1)</sup>	—	IOCA0	Y	—
RA1	3	28	ANA1	—	C1IN1- C2IN1-	—	—	—	—	—	—	—	—	—	CLCIN1 <sup>(1)</sup>	—	IOCA1	Y	—
RA2	4	1	ANA2	—	C1IN0+ C2IN0+	—	—	—	—	—	—	—	—	—	—	—	IOCA2	Y	—
RA3	5	2	ANA3	VREF+	C1IN1+	—	DACREF+	—	—	—	—	—	—	—	—	—	IOCA3	Y	—
RA4	6	3	ANA4	—	—	—	—	T0CKI	—	—	—	—	—	—	—	—	IOCA4	Y	—
RA5	7	4	ANA5	—	—	—	—	T1G <sup>(1)</sup>	—	—	—	SSP1SS <sup>(1)</sup>	—	—	—	—	IOCA5	Y	—
RA6	10	7	ANA6	—	—	—	—	—	—	—	—	—	—	—	—	—	IOCA6	Y	CLKOUT
RA7	9	6	ANA7	—	—	—	—	—	—	—	—	—	—	—	—	—	IOCA7	Y	CLKIN
RB0	21	18	ANB0	—	C2IN1+	—	—	—	—	—	CWG1 <sup>(1)</sup>	SSP2SS <sup>(1)</sup>	ZCD1	—	—	—	INT <sup>(1)</sup> IOCB0	Y	—
RB1	22	19	ANB1	—	C1IN3- C2IN3-	—	—	—	—	—	—	SSP1CLK <sup>(1)</sup> SSP1DAT <sup>(1)</sup>	—	—	—	—	IOCB1	Y	—
RB2	23	20	ANB2	—	—	—	—	—	—	—	—	SSP1CLK <sup>(1)</sup> SSP1DAT <sup>(1)</sup>	—	—	—	—	IOCB2	Y	—
RB3	24	21	ANB3	—	C1IN2- C2IN2-	—	—	—	—	—	—	—	—	—	—	—	IOCB3	Y	—
RB4	25	22	ANB4 ADACT <sup>(1)</sup>	—	—	—	—	—	—	—	—	—	—	—	—	—	IOCB4	Y	—
RB5	26	23	ANB5	—	—	—	—	—	—	—	—	—	—	—	—	—	IOCB5	Y	—
RB6	27	24	ANB6	—	—	—	—	—	—	—	—	—	—	TX2 CK2 <sup>(1)</sup>	CLCIN2 <sup>(1)</sup>	—	IOCB6	Y	ICDCLK ICSPCLK
RB7	28	25	ANB7	—	—	—	DAC1OUT2	—	—	—	—	—	—	RX2 DT2 <sup>(1)</sup>	CLCIN3 <sup>(1)</sup>	—	IOCB7	Y	ICDDAT ICSPDAT
RC0	11	8	ANC0	—	—	—	—	SOSCO T1CKI	—	—	—	—	—	—	—	—	IOCC0	Y	—
RC1	12	9	ANC1	—	—	—	—	SOSCI	CCP2 <sup>(1)</sup>	—	—	—	—	—	—	—	IOCC1	Y	—
RC2	13	10	ANC2	—	—	—	—	—	CCP1 <sup>(1)</sup>	—	—	—	—	—	—	—	IOCC2	Y	—
RC3	14	11	ANC3	—	—	—	—	T2IN <sup>(1)</sup>	—	—	—	SSP1CLK <sup>(1)</sup> SSP1DAT <sup>(1)</sup>	—	—	—	—	IOCC3	Y	—
RC4	15	12	ANC4	—	—	—	—	—	—	—	—	SSP1CLK <sup>(1)</sup> SSP1DAT <sup>(1)</sup>	—	—	—	—	IOCC4	Y	—

TABLE 6: 40/44-PIN ALLOCATION TABLE (PIC16(L)F15375, PIC16(L)F15376) (CONTINUED)

I/O(2)	40-Pin PDIP	40-Pin UQFN	44-Pin QFN	44-Pin TQFP	ADC	Reference	Comparator	NCO	DAC	Timers	CCP	PWM	CWG	MSSP	ZCD	EUSART	CLC	CLKR	Interrupt	Pull-up	Basic
RC5	24	39	43	43	ANC5	—	—	—	—	—	—	—	—	—	—	—	—	—	IOCC5	Y	—
RC6	25	40	44	44	ANC6	—	—	—	—	—	—	—	—	—	—	TX1 CK1 <sup>(1)</sup>	—	—	IOCC6	Y	—
RC7	26	1	1	1	ANC7	—	—	—	—	—	—	—	—	—	—	RX1 DT1 <sup>(1)</sup>	—	—	IOCC7	Y	—
RD0	19	34	38	38	AND0	—	—	—	—	—	—	—	—	SSP2CLK <sup>(1)</sup> SSP2DAT <sup>(1)</sup>	—	—	—	—	—	—	—
RD1	20	35	39	39	AND1	—	—	—	—	—	—	—	—	SSP2CLK <sup>(1)</sup> SSP2DAT <sup>(1)</sup>	—	—	—	—	—	—	—
RD2	21	36	40	40	AND2	—	—	—	—	—	—	—	—	—	—	—	—	—	—	—	—
RD3	22	37	41	41	AND3	—	—	—	—	—	—	—	—	—	—	—	—	—	—	—	—
RD4	27	2	2	2	AND4	—	—	—	—	—	—	—	—	—	—	—	—	—	—	—	—
RD5	28	3	3	3	AND5	—	—	—	—	—	—	—	—	—	—	—	—	—	—	—	—
RD6	29	4	4	4	AND6	—	—	—	—	—	—	—	—	—	—	—	—	—	—	—	—
RD7	30	5	5	5	AND7	—	—	—	—	—	—	—	—	—	—	—	—	—	—	—	—
RE0	8	23	25	25	ANE0	—	—	—	—	—	—	—	—	—	—	—	—	—	—	—	—
RE1	9	24	26	26	ANE1	—	—	—	—	—	—	—	—	—	—	—	—	—	—	—	—
RE2	10	25	27	27	ANE2	—	—	—	—	—	—	—	—	—	—	—	—	—	—	—	—
RE3	1	16	18	18	ANE3	—	—	—	—	—	—	—	—	—	—	—	—	—	IOCE3	Y	MCLR V <sub>PP</sub>
VDD	11	26	7	7	—	—	—	—	—	—	—	—	—	—	—	—	—	—	—	—	VDD
VDD	32	7	28	28	—	—	—	—	—	—	—	—	—	—	—	—	—	—	—	—	VDD
VSS	12	27	6	6	—	—	—	—	—	—	—	—	—	—	—	—	—	—	—	—	VSS
VSS	31	6	30	29	—	—	—	—	—	—	—	—	—	—	—	—	—	—	—	—	VSS
VSEL0	31	6	6	6	—	—	—	—	—	—	—	—	—	—	—	—	—	—	—	—	—



**TABLE 6: 40/44-PIN ALLOCATION TABLE (PIC16(L)F15375, PIC16(L)F15376) (CONTINUED)**

I/O <sup>(2)</sup>	40-Pin PDIP	40-Pin UQFN	44-Pin QFN	44-Pin TQFP	ADC	Reference	Comparator	NCO	DAC	Timers	CCP	PWM	CWG	MSSP	ZCD	EUSART	CLC	CLKR	Interrupt	Pull-up	Basic
OUT <sup>(2)</sup>	—	—	—	—	—	—	C1OUT	NCO1OUT	—	TMR0	CCP1	PWM3	CWG1A CWG2A	SDO1 SDO2	—	DT <sup>(3)</sup>	CLC1OUT	CLKR	—	—	—
	—	—	—	—	—	—	C2OUT	—	—	—	CCP2	PWM4	CWG1B CWG2B	SCK1 SCK2	—	CK1 CK2	CLC2OUT	—	—	—	—
	—	—	—	—	—	—	—	—	—	—	—	PWM5	CWG1C CWG2C	SCK1 <sup>(3),(4)</sup> SCL2 <sup>(3),(4)</sup>	—	TX1 TX2	CLC3OUT	—	—	—	—
	—	—	—	—	—	—	—	—	—	—	—	PWM6	CWG1D CWG2D	SDA1 <sup>(3),(4)</sup> SDA2 <sup>(3),(4)</sup>	—	—	CLC4OUT	—	—	—	—

- Note**
- 1: This is a PPS re-mappable input signal. The input function may be moved from the default location shown to one of several other PORTx pins.
  - 2: All digital output signals shown in this row are PPS remappable. These signals may be mapped to output onto one of several PORTx pin options.
  - 3: This is a bidirectional signal. For normal module operation, the firmware should map this signal to the same pin in both the PPS input and PPS output registers.
  - 4: These pins are configured for I<sup>2</sup>C logic levels. PPS assignments to the other pins will operate, but input logic levels will be standard TTL/ST as selected by the INLVL register, instead of the I<sup>2</sup>C specific or SMBUS input buffer thresholds.

TABLE 7: 48-PIN ALLOCATION TABLE (PIC16(L)F15385, PIC16(L)F15386)

I/O <sup>(2)</sup>	48-Pin UQFN/TQFP	ADC	Reference	Comparator	NCO	DAC	Timers	CCP	PWM	CWG	MSSP	ZCD	EUSART	CLC	CLKR	Interrupt	Pull-up	Basic
RA0	21	ANA0	—	C1IN0- C2IN0-	—	—	—	—	—	—	—	—	—	CLCIN0 <sup>(1)</sup>	—	IOCA0	Y	—
RA1	22	ANA1	—	C1IN1- C2IN1-	—	—	—	—	—	—	—	—	—	CLCIN1 <sup>(1)</sup>	—	IOCA1	Y	—
RA2	23	ANA2	—	C1IN0+ C2IN0+	—	—	—	—	—	—	—	—	—	—	—	IOCA2	Y	—
RA3	24	ANA3	VREF+	C1IN1+	—	DACREF+	—	—	—	—	—	—	—	—	—	IOCA3	Y	—
RA4	25	ANA4	—	C1IN1-	—	—	T0CKI <sup>(1)</sup>	—	—	—	—	—	—	—	—	IOCA4	Y	—
RA5	26	ANA5 ADACT	—	—	—	—	T1G <sup>(1)</sup>	—	—	—	SSP1SS <sup>(1)</sup>	—	—	—	—	IOCA5	Y	—
RA6	33	ANA6	—	—	—	—	—	—	—	—	—	—	—	—	—	IOCA6	Y	CLKOUT
RA7	32	ANA7	—	—	—	—	—	—	—	—	—	—	—	—	—	IOCA7	Y	CLKIN
RB0	8	ANB0	—	C2IN1+	—	—	—	—	—	CWG1 <sup>(1)</sup>	SSP2SS <sup>(1)</sup>	ZCD1	—	—	—	INT <sup>(1)</sup> IOCB0	Y	—
RB1	9	ANB1	—	C1IN3- C2IN3-	—	—	—	—	—	—	SSP1CLK <sup>(1)</sup> SSP1DAT <sup>(1)</sup>	—	—	—	—	IOCB1	Y	—
RB2	10	ANB2	—	—	—	—	—	—	—	—	SSP1CLK <sup>(1)</sup> SSP1DAT <sup>(1)</sup>	—	—	—	—	IOCB2	Y	—
RB3	11	ANB3	—	C1IN3- C2IN3-	—	—	—	—	—	—	—	—	—	—	—	IOCB3	Y	—
RB4	16	ANB4 ADACT <sup>(1)</sup>	—	—	—	—	—	—	—	—	—	—	—	—	—	IOCB4	Y	—
RB5	17	ANB5	—	—	—	—	—	—	—	—	—	—	—	—	—	IOCB5	Y	—
RB6	18	ANB6	—	—	—	—	—	—	—	—	—	—	TX2 CK2 <sup>(1)</sup>	CLCIN2 <sup>(1)</sup>	—	IOCB6	Y	ICDCLK ICSPCLK
RB7	19	ANB7	—	—	—	DAC1OUT2	—	—	—	—	—	—	RX2 DT2 <sup>(1)</sup>	CLCIN3 <sup>(1)</sup>	—	IOCB7	Y	ICDDAT ICSPDAT
RC0	34	ANC0	—	—	—	—	SOSCO T1CKI <sup>(1)</sup>	—	—	—	—	—	—	—	—	IOCC0	Y	—
RC1	35	ANC1	—	—	—	—	SOSCI	CCP2 <sup>(1)</sup>	—	—	—	—	—	—	—	IOCC1	Y	—
RC2	40	ANC2	—	—	—	—	—	CCP1 <sup>(1)</sup>	—	—	—	—	—	—	—	IOCC2	Y	—
RC3	41	ANC3	—	—	—	—	T2IN <sup>(1)</sup>	—	—	—	SSP1CLK <sup>(1)</sup> SSP1DAT <sup>(1)</sup>	—	—	—	—	IOCC3	Y	—

TABLE 7: 48-PIN ALLOCATION TABLE (PIC16(L)F15385, PIC16(L)F15386) (CONTINUED)

I/O <sup>(2)</sup>	48-Pin UQFN/TQFP	ADC	Reference	Comparator	NCO	DAC	Timers	CCP	PWM	CWG	MSSP	ZCD	EUSART	CLC	CLKR	Interrupt	Pull-up	Basic
RC4	46	ANC4	—	—	—	—	—	—	—	—	SSP1CLK <sup>(1)</sup> SSP1DAT <sup>(1)</sup>	—	—	—	—	IOCC4	Y	—
RC5	47	ANC5	—	—	—	—	—	—	—	—	—	—	—	—	—	IOCC5	Y	—
RC6	48	ANC6	—	—	—	—	—	—	—	—	—	—	TX1 CK1 <sup>(1)</sup>	—	—	IOCC6	Y	—
RC7	1	ANC7	—	—	—	—	—	—	—	—	—	—	RX1 DT1 <sup>(1)</sup>	—	—	IOCC7	Y	—
RD0	42	AND0	—	—	—	—	—	—	—	—	SSP2CLK <sup>(1)</sup> SSP2DAT <sup>(1)</sup>	—	—	—	—	—	Y	—
RD1	43	AND1	—	—	—	—	—	—	—	—	SSP2CLK <sup>(1)</sup> SSP2DAT <sup>(1)</sup>	—	—	—	—	—	Y	—
RD2	44	AND2	—	—	—	—	—	—	—	—	—	—	—	—	—	—	Y	—
RD3	45	AND3	—	—	—	—	—	—	—	—	—	—	—	—	—	—	Y	—
RD4	2	AND4	—	—	—	—	—	—	—	—	—	—	—	—	—	—	Y	—
RD5	3	AND5	—	—	—	—	—	—	—	—	—	—	—	—	—	—	Y	—
RD6	4	AND6	—	—	—	—	—	—	—	—	—	—	—	—	—	—	Y	—
RD7	5	AND7	—	—	—	—	—	—	—	—	—	—	—	—	—	—	Y	—
RE0	27	ANE0	—	—	—	—	—	—	—	—	—	—	—	—	—	—	Y	—
RE1	28	ANE1	—	—	—	—	—	—	—	—	—	—	—	—	—	—	Y	—
RE2	29	ANE2	—	—	—	—	—	—	—	—	—	—	—	—	—	—	Y	—
RE3	20	ANE3	—	—	—	—	—	—	—	—	—	—	—	—	—	IOCE3	Y	MCLR V <sub>PP</sub>
RF0	36	ANF0	—	—	—	—	—	—	—	—	—	—	—	—	—	—	Y	—
RF1	37	ANF1	—	—	—	—	—	—	—	—	—	—	—	—	—	—	Y	—
RF2	38	ANF2	—	—	—	—	—	—	—	—	—	—	—	—	—	—	Y	—
RF3	39	ANF3	—	—	—	—	—	—	—	—	—	—	—	—	—	—	Y	—
RF4	12	ANF4	—	—	—	—	—	—	—	—	—	—	—	—	—	—	Y	—
RF5	13	ANF5	—	—	—	—	—	—	—	—	—	—	—	—	—	—	Y	—
RF6	14	ANF6	—	—	—	—	—	—	—	—	—	—	—	—	—	—	Y	—
RF7	15	ANF7	—	—	—	—	—	—	—	—	—	—	—	—	—	—	Y	—
V <sub>DD</sub>	30	—	—	—	—	—	—	—	—	—	—	—	—	—	—	—	Y	V <sub>DD</sub>
V <sub>DD</sub>	7	—	—	—	—	—	—	—	—	—	—	—	—	—	—	—	—	V <sub>DD</sub>

TABLE 7: 48-PIN ALLOCATION TABLE (PIC16(L)F15385, PIC16(L)F15386) (CONTINUED)

I/O <sup>(2)</sup>	48-Pin UQFN/TQFP	ADC	Reference	Comparator	NCO	DAC	Timers	CCP	PWM	CWG	MSSP	ZCD	EUSART	CLC	CLKR	Interrupt	Pull-up	Basic
Vss	6	—	—	—	—	—	—	—	—	—	—	—	—	—	—	—	—	Vss
Vss	31	—	—	—	—	—	—	—	—	—	—	—	—	—	—	—	—	Vss
VSEL0	—	—	—	—	—	—	—	—	—	—	—	—	—	—	—	—	—	—
OUT <sup>(2)</sup>	—	—	—	C1OUT	NCO1OUT	—	TMR0	CCP1	PWM3	CWG1A CWG2A	SDO1 SDO2	—	DT <sup>(3)</sup>	CLC1OUT	CLKR	—	—	—
	—	—	—	C2OUT	—	—	—	CCP2	PWM4	CWG1B CWG2B	SCK1 SCK2	—	CK1 CK2	CLC2OUT	—	—	—	—
	—	—	—	—	—	—	—	—	PWM5	CWG1C CWG2C	SCK1 <sup>(3),(4)</sup> SCL2 <sup>(3),(4)</sup>	—	TX1 TX2	CLC3OUT	—	—	—	—
	—	—	—	—	—	—	—	—	PWM6	CWG1D CWG2D	SDA1 <sup>(3),(4)</sup> SDA2 <sup>(3),(4)</sup>	—	—	CLC4OUT	—	—	—	—

- Note**
- 1: This is a PPS re-mappable input signal. The input function may be moved from the default location shown to one of several other PORTx pins.
  - 2: All digital output signals shown in this row are PPS re-mappable. These signals may be mapped to output onto one of several PORTx pin options.
  - 3: This is a bidirectional signal. For normal module operation, the firmware should map this signal to the same pin in both the PPS input and PPS output registers.
  - 4: These pins are configured for I<sup>2</sup>C logic levels. PPS assignments to the other pins will operate, but input logic levels will be standard TTL/ST as selected by the INLVL register, instead of the I<sup>2</sup>C specific or SMBUS input buffer thresholds.

---

---

## Worldwide Sales and Service

---

---

### AMERICAS

#### Corporate Office

2355 West Chandler Blvd.  
Chandler, AZ 85224-6199  
Tel: 480-792-7200  
Fax: 480-792-7277  
Technical Support:  
[http://www.microchip.com/  
support](http://www.microchip.com/support)  
Web Address:  
[www.microchip.com](http://www.microchip.com)

#### Atlanta

Duluth, GA  
Tel: 678-957-9614  
Fax: 678-957-1455

#### Austin, TX

Tel: 512-257-3370

#### Boston

Westborough, MA  
Tel: 774-760-0087  
Fax: 774-760-0088

#### Chicago

Itasca, IL  
Tel: 630-285-0071  
Fax: 630-285-0075

#### Cleveland

Independence, OH  
Tel: 216-447-0464  
Fax: 216-447-0643

#### Dallas

Addison, TX  
Tel: 972-818-7423  
Fax: 972-818-2924

#### Detroit

Novi, MI  
Tel: 248-848-4000

#### Houston, TX

Tel: 281-894-5983

#### Indianapolis

Noblesville, IN  
Tel: 317-773-8323  
Fax: 317-773-5453

#### Los Angeles

Mission Viejo, CA  
Tel: 949-462-9523  
Fax: 949-462-9608

#### New York, NY

Tel: 631-435-6000

#### San Jose, CA

Tel: 408-735-9110

#### Canada - Toronto

Tel: 905-673-0699  
Fax: 905-673-6509

### ASIA/PACIFIC

#### Asia Pacific Office

Suites 3707-14, 37th Floor  
Tower 6, The Gateway  
Harbour City, Kowloon

#### Hong Kong

Tel: 852-2943-5100  
Fax: 852-2401-3431

#### Australia - Sydney

Tel: 61-2-9868-6733  
Fax: 61-2-9868-6755

#### China - Beijing

Tel: 86-10-8569-7000  
Fax: 86-10-8528-2104

#### China - Chengdu

Tel: 86-28-8665-5511  
Fax: 86-28-8665-7889

#### China - Chongqing

Tel: 86-23-8980-9588  
Fax: 86-23-8980-9500

#### China - Dongguan

Tel: 86-769-8702-9880

#### China - Hangzhou

Tel: 86-571-8792-8115  
Fax: 86-571-8792-8116

#### China - Hong Kong SAR

Tel: 852-2943-5100  
Fax: 852-2401-3431

#### China - Nanjing

Tel: 86-25-8473-2460  
Fax: 86-25-8473-2470

#### China - Qingdao

Tel: 86-532-8502-7355  
Fax: 86-532-8502-7205

#### China - Shanghai

Tel: 86-21-5407-5533  
Fax: 86-21-5407-5066

#### China - Shenyang

Tel: 86-24-2334-2829  
Fax: 86-24-2334-2393

#### China - Shenzhen

Tel: 86-755-8864-2200  
Fax: 86-755-8203-1760

#### China - Wuhan

Tel: 86-27-5980-5300  
Fax: 86-27-5980-5118

#### China - Xian

Tel: 86-29-8833-7252  
Fax: 86-29-8833-7256

### ASIA/PACIFIC

#### China - Xiamen

Tel: 86-592-2388138  
Fax: 86-592-2388130

#### China - Zhuhai

Tel: 86-756-3210040  
Fax: 86-756-3210049

#### India - Bangalore

Tel: 91-80-3090-4444  
Fax: 91-80-3090-4123

#### India - New Delhi

Tel: 91-11-4160-8631  
Fax: 91-11-4160-8632

#### India - Pune

Tel: 91-20-3019-1500

#### Japan - Osaka

Tel: 81-6-6152-7160  
Fax: 81-6-6152-9310

#### Japan - Tokyo

Tel: 81-3-6880-3770  
Fax: 81-3-6880-3771

#### Korea - Daegu

Tel: 82-53-744-4301  
Fax: 82-53-744-4302

#### Korea - Seoul

Tel: 82-2-554-7200  
Fax: 82-2-558-5932 or  
82-2-558-5934

#### Malaysia - Kuala Lumpur

Tel: 60-3-6201-9857  
Fax: 60-3-6201-9859

#### Malaysia - Penang

Tel: 60-4-227-8870  
Fax: 60-4-227-4068

#### Philippines - Manila

Tel: 63-2-634-9065  
Fax: 63-2-634-9069

#### Singapore

Tel: 65-6334-8870  
Fax: 65-6334-8850

#### Taiwan - Hsin Chu

Tel: 886-3-5778-366  
Fax: 886-3-5770-955

#### Taiwan - Kaohsiung

Tel: 886-7-213-7828

#### Taiwan - Taipei

Tel: 886-2-2508-8600  
Fax: 886-2-2508-0102

#### Thailand - Bangkok

Tel: 66-2-694-1351  
Fax: 66-2-694-1350

### EUROPE

#### Austria - Wels

Tel: 43-7242-2244-39  
Fax: 43-7242-2244-393

#### Denmark - Copenhagen

Tel: 45-4450-2828  
Fax: 45-4485-2829

#### France - Paris

Tel: 33-1-69-53-63-20  
Fax: 33-1-69-30-90-79

#### Germany - Dusseldorf

Tel: 49-2129-3766400

#### Germany - Karlsruhe

Tel: 49-721-625370

#### Germany - Munich

Tel: 49-89-627-144-0  
Fax: 49-89-627-144-44

#### Italy - Milan

Tel: 39-0331-742611  
Fax: 39-0331-466781

#### Italy - Venice

Tel: 39-049-7625286

#### Netherlands - Drunen

Tel: 31-416-690399  
Fax: 31-416-690340

#### Poland - Warsaw

Tel: 48-22-3325737

#### Spain - Madrid

Tel: 34-91-708-08-90  
Fax: 34-91-708-08-91

#### Sweden - Stockholm

Tel: 46-8-5090-4654

#### UK - Wokingham

Tel: 44-118-921-5800  
Fax: 44-118-921-5820

07/14/15