

Welcome to E-XFL.COM

Understanding Embedded - CPLDs (Complex Programmable Logic Devices)

Embedded - CPLDs, or Complex Programmable Logic Devices, are highly versatile digital logic devices used in electronic systems. These programmable components are designed to perform complex logical operations and can be customized for specific applications. Unlike fixed-function ICs, CPLDs offer the flexibility to reprogram their configuration, making them an ideal choice for various embedded systems. They consist of a set of logic gates and programmable interconnects, allowing designers to implement complex logic circuits without needing custom hardware.

Applications of Embedded - CPLDs

Details

Product Status	Obsolete
Programmable Type	In System Programmable
Delay Time tpd(1) Max	7.5 ns
Voltage Supply - Internal	4.75V ~ 5.25V
Number of Logic Elements/Blocks	-
Number of Macrocells	128
Number of Gates	-
Number of I/O	120
Operating Temperature	0°C ~ 70°C (TA)
Mounting Type	Surface Mount
Package / Case	160-BQFP
Supplier Device Package	160-PQFP (28x28)
Purchase URL	https://www.e-xfl.com/product-detail/lattice-semiconductor/m5-128-120-7yc-1

Table 1. MACH 5 Device Features ¹

Feature	M5-128/1 M5LV-128		M5-192/1	M5-256/1 M5LV-256		M5-320 M5LV-320		M5-384 M5LV-384		M5-512 M5LV-512	
Supply Voltage (V)	5	3.3	5	5	3.3	5	3.3	5	3.3	5	3.3
Macrocells	128	128	192	256	256	320	320	384	384	512	512
Maximum User I/O Pins	120	120	120	160	160	192	160	160	160	256	256
t _{PD} (ns)	5.5	5.5	5.5	5.5	5.5	6.5	6.5	6.5	6.5	6.5	6.5
t _{SS} (ns)	3.0	3.0	3.0	3.0	3.0	3.0	3.0	3.0	3.0	3.0	3.0
t _{COS} (ns)	4.5	4.5	4.5	4.5	4.5	5.0	5.0	5.0	5.0	5.0	5.0
f _{CNT} (MHz)	182	182	182	182	182	167	167	167	167	167	167
Typical Static Power (mA)	35	35	45	55	55	70	70	75	75	100	100
IEEE 1149.1 Boundary Scan Compliant	Yes	Yes	Yes	Yes	Yes	Yes	Yes	Yes	Yes	Yes	Yes
PCI-Compliant	Yes	Yes	Yes	Yes	Yes	Yes	Yes	Yes	Yes	Yes	Yes

Note:

1. "M5-xxx" is for 5-V devices. "M5LV-xxx" is for 3.3-V devices.

GENERAL DESCRIPTION

The MACH[®] 5 family consists of a broad range of high-density and high-I/O Complex Programmable Logic Devices (CPLDs). The fifth-generation MACH architecture yields fast speeds at high CPLD densities, low power, and supports additional features such as in-system programmability, Boundary Scan testability, and advanced clocking options (Table 1). The MACH 5 family offers 5-V (M5-xxx) and 3.3-V (M5LV-xxx) operation.

Manufactured in state-of-the-art ISO 9000 qualified fabrication facilities on E²CMOS process technologies, MACH 5 devices are available with pin-to-pin delays as fast as 5.5 ns (Table 2). The 5.5, 6.5, 7.5, 10, and 12-ns devices are compliant with the *PCI Local Bus Specification*.

Select devices have been discontinued. See Ordering Information section for product status.

Table 2. MACH 5 Speed Grades

Device	Speed Grade ¹						
	-5	-6	-7	-10	-12	-15	-20
M5-128 ²			C	C, I	C, I	C, I	I
M5-128/1	C		C, I	C, I	C, I	C, I	I
M5LV-128	C		C, I	C, I	C, I	I	
M5-192/1	C		C, I	C, I	C, I	C, I	I
M5-256 ²			C	C, I	C, I	C, I	I
M5-256/1	C		C, I	C, I	C, I	C, I	I
M5LV-256	C		C, I	C, I	C, I	I	
M5-320		C	C, I	C, I	C, I	C, I	I
M5LV-320		C	C, I	C, I	C, I	C, I	I
M5-384		C	C, I	C, I	C, I	C, I	I
M5LV-384		C	C, I	C, I	C, I	C, I	I
M5-512		C	C, I	C, I	C, I	C, I	I
M5LV-512		C	C, I	C, I	C, I	C, I	I

Note:

1. C = Commercial grade, I = Industrial grade
2. /1 version recommended for new designs

With Lattice’s unique hierarchical architecture, the MACH 5 family provides densities up to 512 macrocells to support full system logic integration. Extensive routing resources ensure pinout retention as well as high utilization. It is ideal for PAL[®] block device integration and a wide range of other applications including high-speed computing, low-power applications, communications, and embedded control. At each macrocell density point, Lattice offers several I/O and package options to meet a wide range of design needs (Table 3).

Table 3. MACH 5 Package and I/O Options ¹

Supply Voltage	M5-128/1 M5LV-128		M5-192/1	M5-256/1 M5LV-256		M5-320 M5LV-320		M5-384 M5LV-384		M5-512 M5LV-512	
	5	3.3	5	5	3.3	5	3.3	5	3.3	5	3.3
100-pin TQFP	68	68, 74	68	68	68*, 74						
100-pin PQFP	68	68*	68*	68*	68						
144-pin TQFP		104			104						
144-pin PQFP	104	104*	104*	104*	104*						
160-pin PQFP	120	120	120	120	120	120*	120	120*	120	120*	120
208-pin PQFP				160	160	160	160	160	160	160	160
240-pin PQFP						184*	184*	184*	184*	184*	184*
256-ball BGA						192	192*	192*	192*	192*	192*
352-ball BGA										256	256

Note:

1. The I/O options indicated with a “*” are obsolete, please contact factory for more information.

Advanced power management options allow designers to incrementally reduce power while maintaining the level of performance needed for today’s complex designs. I/O safety features allow for mixed-voltage design,

Select devices have been discontinued. See Ordering Information section for product status.

and both the 3.3-V and the 5-V device versions are in-system programmable through an IEEE 1149.1 Test Access Port (TAP) interface.

FUNCTIONAL DESCRIPTION

The MACH 5 architecture consists of PAL blocks connected by two levels of interconnect. The **block interconnect** provides routing among 4 PAL blocks. This grouping of PAL blocks joined by the block interconnect is called a **segment**. The second level of interconnect, the **segment interconnect**, ties all of the segments together. The only logic difference between any two MACH 5 devices is the number of segments. Therefore, once a designer is familiar with one device, consistent performance can be expected across the entire family. All devices have four clock pins available which can also be used as logic inputs.

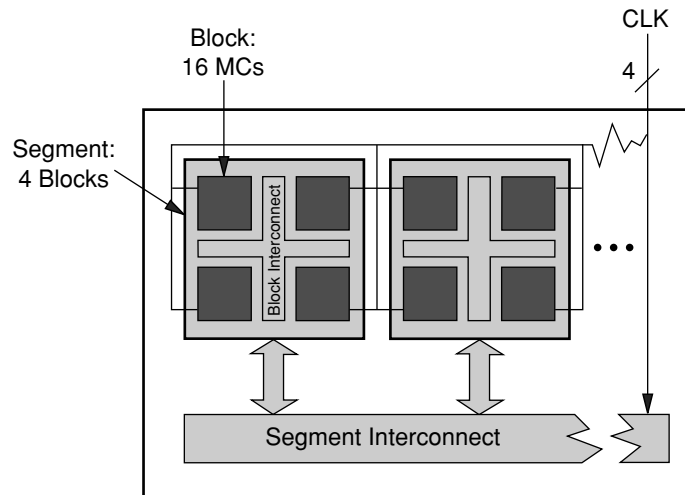


Figure 1. MACH 5 Block Diagram

20446G-001

The MACH 5 PAL blocks consist of the elements listed below (Figure 2). While each PAL block resembles an independent PAL device, it has superior control and logic generation capabilities.

- ◆ I/O cells
- ◆ Product-term array and Logic Allocator
- ◆ Macrocells
- ◆ Register control generator
- ◆ Output enable generator

I/O Cells

The I/Os associated with each PAL block have a path directly back to that PAL block called **local feedback**. If the I/O is used in another PAL block, the **interconnect feeder** assigns a **block interconnect** line to that signal. The interconnect feeder acts as an input switch matrix. The block and segment interconnects provide connections between any two signals in a device. The **block feeder** assigns block interconnect lines and local feedback lines to the PAL block inputs.

Select devices have been discontinued.
See Ordering Information section for product status.

Macrocells

The macrocells for MACH 5 devices consist of a storage element which can be configured for combinatorial, registered or latched operation (Figure 3). The D-type flip-flops can be configured as T-type, J-K, or S-R operation through the use of the XOR gate associated with each macrocell.

Each PAL block has the capability to provide two input registers by using macrocells 0 and 15. In order to use this option, these macrocells must be accessed via the I/O pins associated with macrocells 3 and 12, respectively. Once the macrocell is used as an input register, it cannot be used for logic, so its clusters can be re-directed through the logic allocator to another macrocell. The

I/O pins associated with macrocells 0 and 15 can still be used as input pins. Although the I/O pins for macrocells 3 and 12 are used to connect to the input registers, these macrocells can still be used as “buried” macrocells to drive device logic via the matrix.

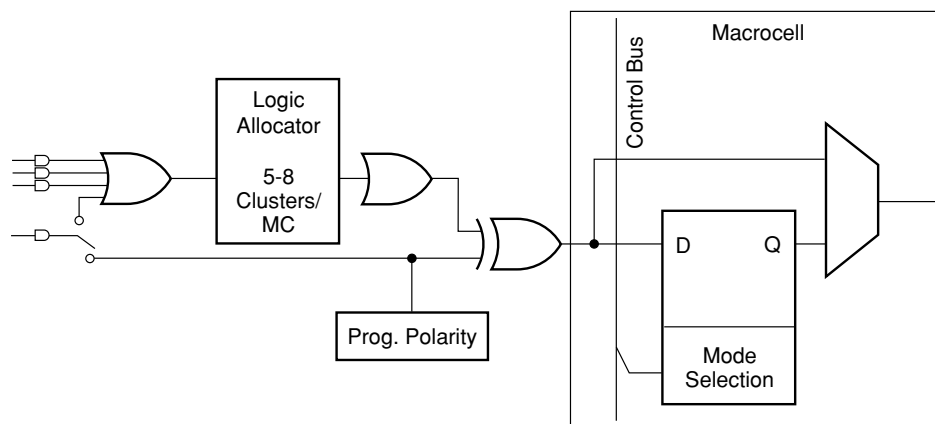


Figure 3. Macrocell Diagram

20446G-003

Control Generator

The control generator provides four configurable clock lines and three configurable set/reset lines to each macrocell in a PAL block. Any of the four clock lines and any of the three set/reset lines can be independently selected by any flip-flop within a block. The clock lines can be configured to provide synchronous global (pin) clocks and asynchronous product term clocks, sum term clocks, and latch enables (Figure 4). Three of the four global clocks, as well as two product-term clocks and one sum-term clock, are available per PAL block. Positive or negative edge clocking is available as well as advanced clocking features such as **complementary** and **biphase** clocking. Complementary clocking provides two clock lines exactly 180 degrees out of phase, and is useful in applications such as fast data paths. A biphase clock line clocks flip-flops on both the positive and negative edges of the clock. The configuration options for the four clock lines per PAL block are as follows:

Clock Line 0 Options

- ◆ Global clock (0, 1, 2, or 3) with positive or negative edge clock enable
- ◆ Product-term clock ($A*B*C$)
- ◆ Sum-term clock ($A+B+C$)

Clock Line 1 Options

- ◆ Global clock (0, 1, 2, or 3) with positive edge clock enable
- ◆ Global clock (0, 1, 2, or 3) with negative edge clock enable

Select devices have been discontinued.
See Ordering Information section for product status.

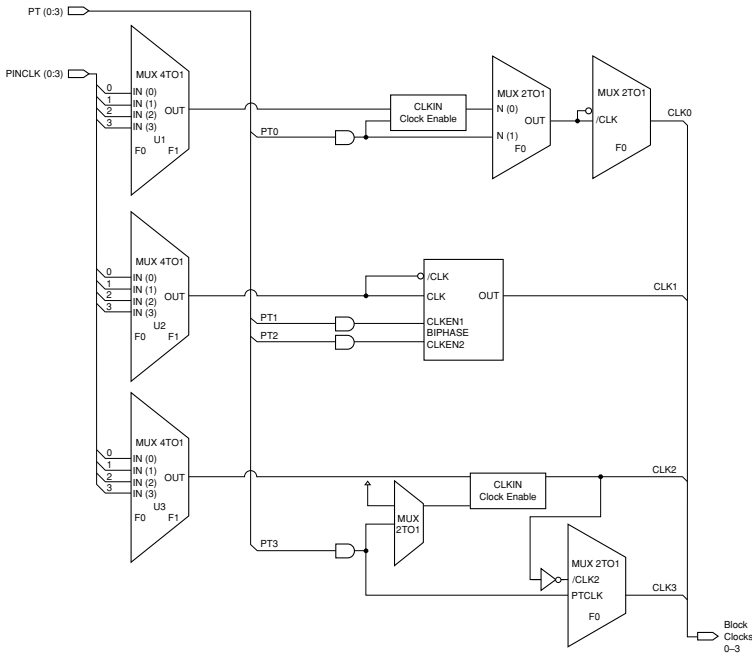
- ◆ Global clock (0, 1, 2, or 3) with positive and negative edge clock enable (biphase)

Clock Line 2 Options

- ◆ Global clock (0, 1, 2, or 3) with clock enable

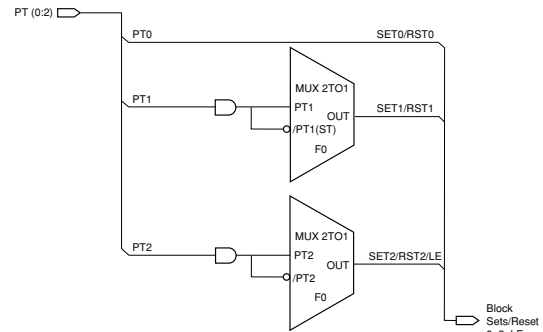
Clock Line 3 Options

- ◆ Complement of clock line 2 (same clock enable)
- ◆ Product-term clock (if clock line 2 does not use clock enable)



20446G-004

Figure 4. Clock Generator



20446G-005

Figure 5. Set/Reset Generator

The set/reset generation portion of the control generator (Figure 5) creates three set/reset lines for the PAL block. Each macrocell can choose one of these three lines or choose no set/reset at all. All three lines can be configured for product term set/reset and two of the three lines can be configured as sum term set/reset and one of the lines can be configured as product-term or sum-term latch enable. While the set/reset signals are generated in the control generator, whether that signal sets or resets a flip-flop is determined within the individual macrocell. The same signal can set one flip-flop and reset another. PT2 or /PT2 can also be used as a latch enable for macrocells configured as latches.

Select devices have been discontinued. See Ordering Information section for product status.



OE Generator

There is one output enable (OE) generator per PAL block that generates two product-term driven output enables. Each I/O cell is simply an output buffer. Each I/O cell within the PAL block can choose to be permanently enabled, permanently disabled, or choose one of the two product term output enables per PAL block (Figure 6).

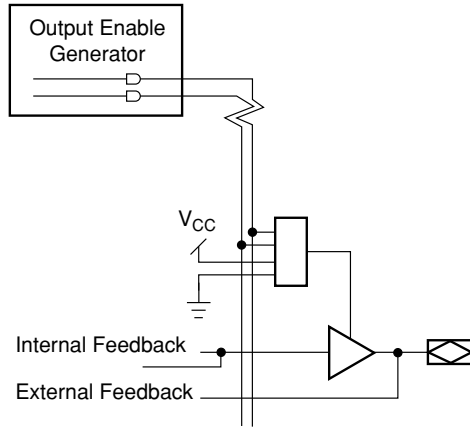


Figure 6. Output Enable Generator and I/O Cell

20446G-006

**Select devices have been discontinued.
See Ordering Information section for product status.**

MACH 5 TIMING MODEL

The primary focus of the MACH 5 timing model is to accurately represent the timing in a MACH 5 device, and at the same time, be easy to understand. This model accurately describes all combinatorial and registered paths through the device, making a distinction between **internal feedback** and **external feedback**. A signal uses internal feedback when it is fed back into the switch matrix or block without having to go through the output buffer. The input register specifications are also reported as internal feedback. When a signal is fed back into the switch matrix after having gone through the output buffer, it is using external feedback.

The parameter, t_{BUF} is defined as the time it takes to go through the output buffer to the I/O pad. If a signal goes to the internal feedback rather than to the I/O pad, the parameter designator is followed by an “i”. By adding t_{BUF} to this internal parameter, the external parameter is derived. For example, $t_{PD} = t_{PDi} + t_{BUF}$. A diagram representing the modularized MACH 5 timing model is shown in Figure 7. Refer to the Technical Note entitled *MACH 5 Timing and High Speed Design* for a more detailed discussion about the timing parameters.

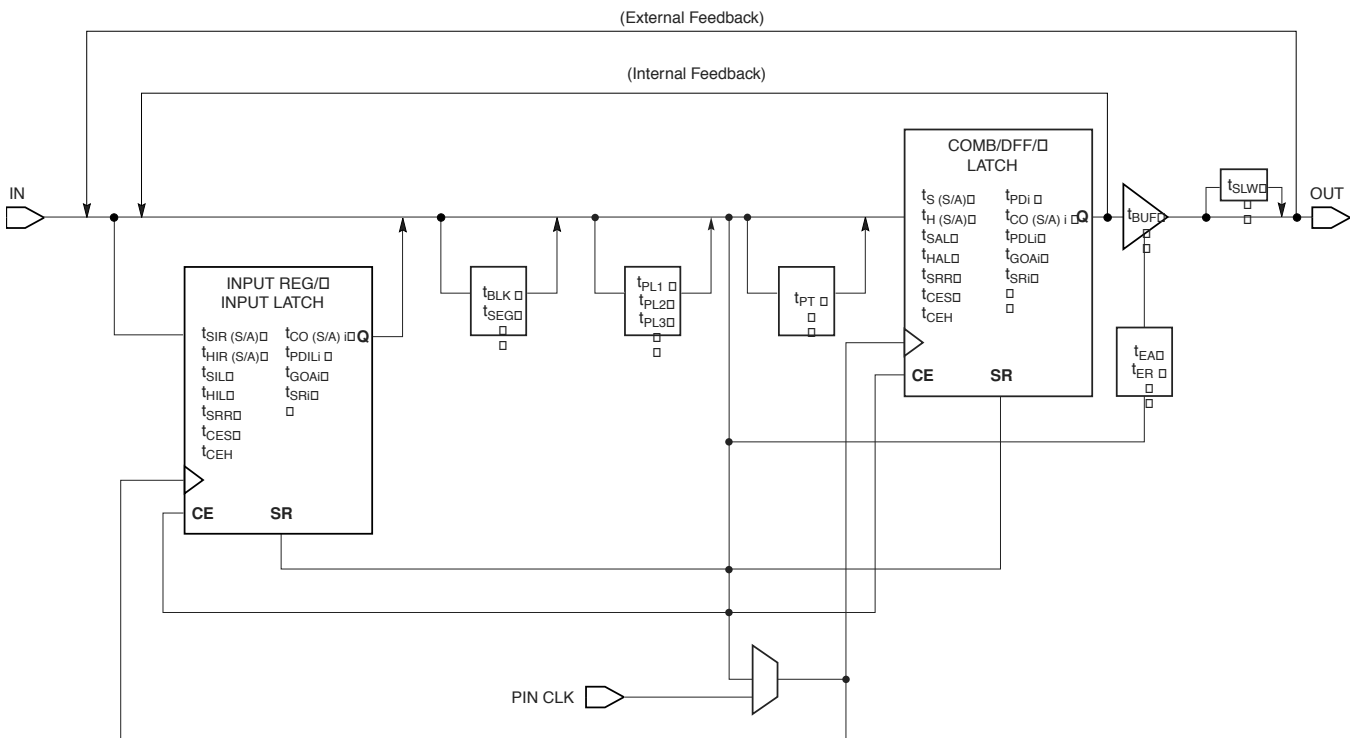


Figure 7. MACH 5 Timing Model

20446G-014

Select devices have been discontinued. See Ordering Information section for product status.

SAFE FOR MIXED SUPPLY VOLTAGE SYSTEM DESIGNS ¹

Both the 3.3-V and 5-V V_{CC} MACH 5 devices are safe for mixed supply voltage system designs. The 5-V devices will not overdrive 3.3-V devices above the output voltage of 3.3 V, while they accept inputs from other 3.3-V devices. The 3.3-V devices will accept inputs up to 5.5 V. Both the 3.3-V and 5-V versions have the same high-speed performance and provide easy-to-use mixed-voltage design capability.

Note:

1. Excludes original M5-128, M5-192, and M5-256 while M5-128/1, M3-192/1 and M5-256/1 are supported. Please refer to Application Note titled "Hot Socketing and Mixed Supply Design with MACH 4 and MACH 5 Devices".

BUS-FRIENDLY INPUTS AND I/Os

All MACH 5 devices have inputs and I/Os which feature the Bus-Friendly circuitry incorporating two inverters in series which loop back to the input. This double inversion weakly holds the input at its last driven logic state. While it is a good design practice to tie unused pins to a known state, the Bus-Friendly input structure pulls pins away from the input threshold voltage where noise can cause high-frequency switching. At power-up, the Bus-Friendly latches are reset to a logic level "1." For the circuit diagram, please refer to the document entitled *MACH Endurance Characteristics* on the Lattice Data Book CD-ROM or Lattice web site.

POWER MANAGEMENT

There are 4 power/speed options in each MACH 5 PAL block (Table 5). The speed and power tradeoff can be tailored for each design. The signal speed paths in the lower-power PAL blocks will be slower than those in the higher-power PAL blocks. This feature allows speed critical paths to run at maximum frequency while the rest of the signal paths operate in a lower-power mode. In large designs, there may be several different speed requirements for different portions of the design.

Table 5. Power Levels

High Speed/High Power	100% Power
Medium High Speed/Medium High Power	67% Power
Medium Low Speed/Medium Low Power	40% Power
Low Speed/Low Power	20% Power

PROGRAMMABLE SLEW RATE

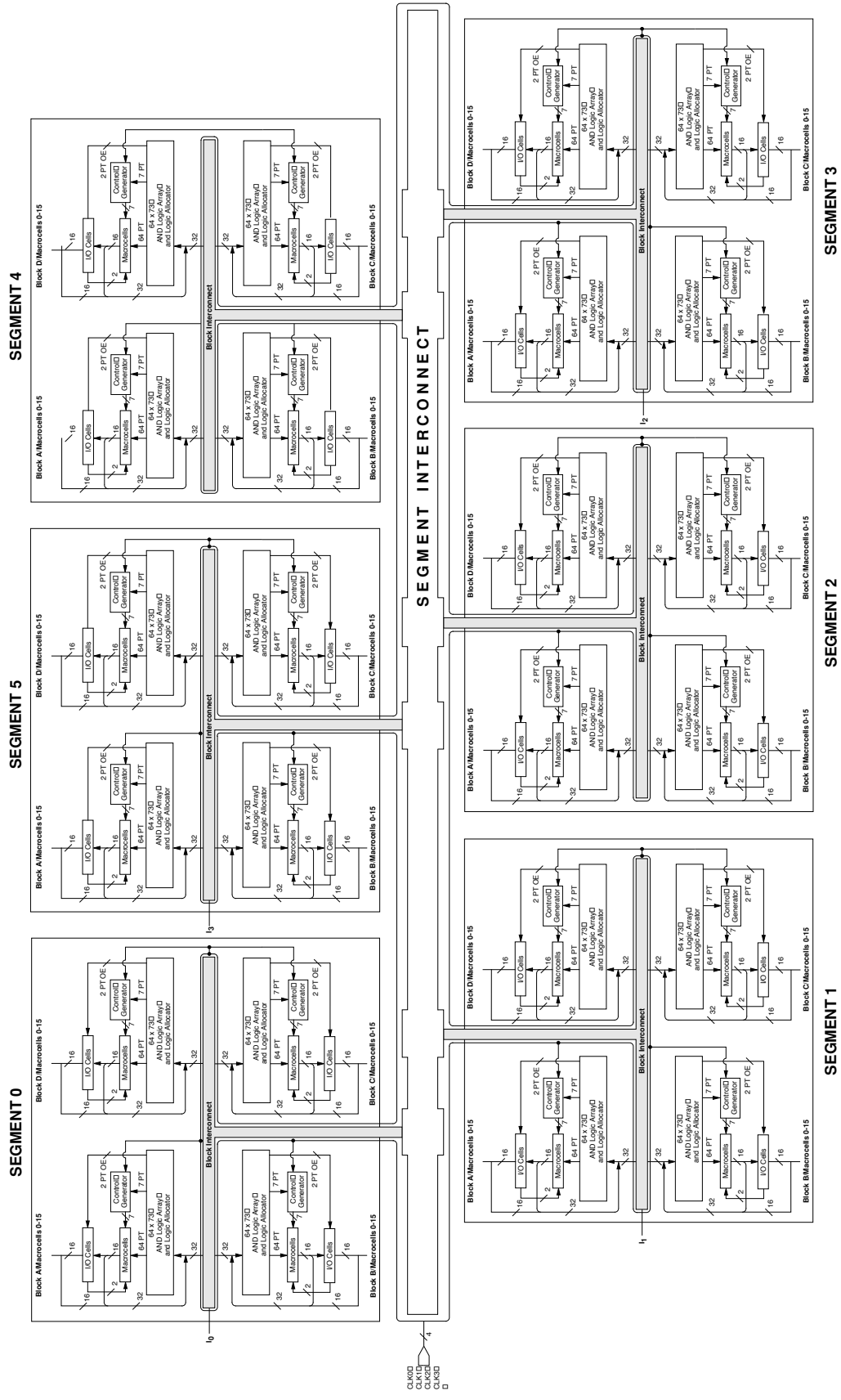
Each MACH 5 device I/O has an individually programmable output slew rate control bit. Each output can be individually configured for the higher speed transition (3 V/ns) or for the lower noise transition (1 V/ns). For high-speed designs with long, unterminated traces, the slow-slew rate will introduce fewer reflections, less noise, and keep ground bounce to a minimum. For designs with short traces or well terminated lines, the fast slew rate can be used to achieve the highest speed. The slew rate is adjusted independent of power.

POWER-UP RESET/SET

All flip-flops power up to a known state for predictable system initialization. If a macrocell is configured to SET on a signal from the control generator, then that macrocell will be SET during device power-up. If a macrocell is configured to RESET on a signal from the control generator or is not configured for set/reset, then that macrocell will RESET on power-up. To guarantee initialization values, the V_{CC} rise must be monotonic and the clock must be inactive until the reset delay time has elapsed.

Select devices have been discontinued. See Ordering Information section for product status.

BLOCK DIAGRAM — M5(LV)-384/XXX



Select devices have been discontinued.
See Ordering Information section for product status.

M5(LV) TIMING PARAMETERS OVER OPERATING RANGES¹ (CONTINUED)

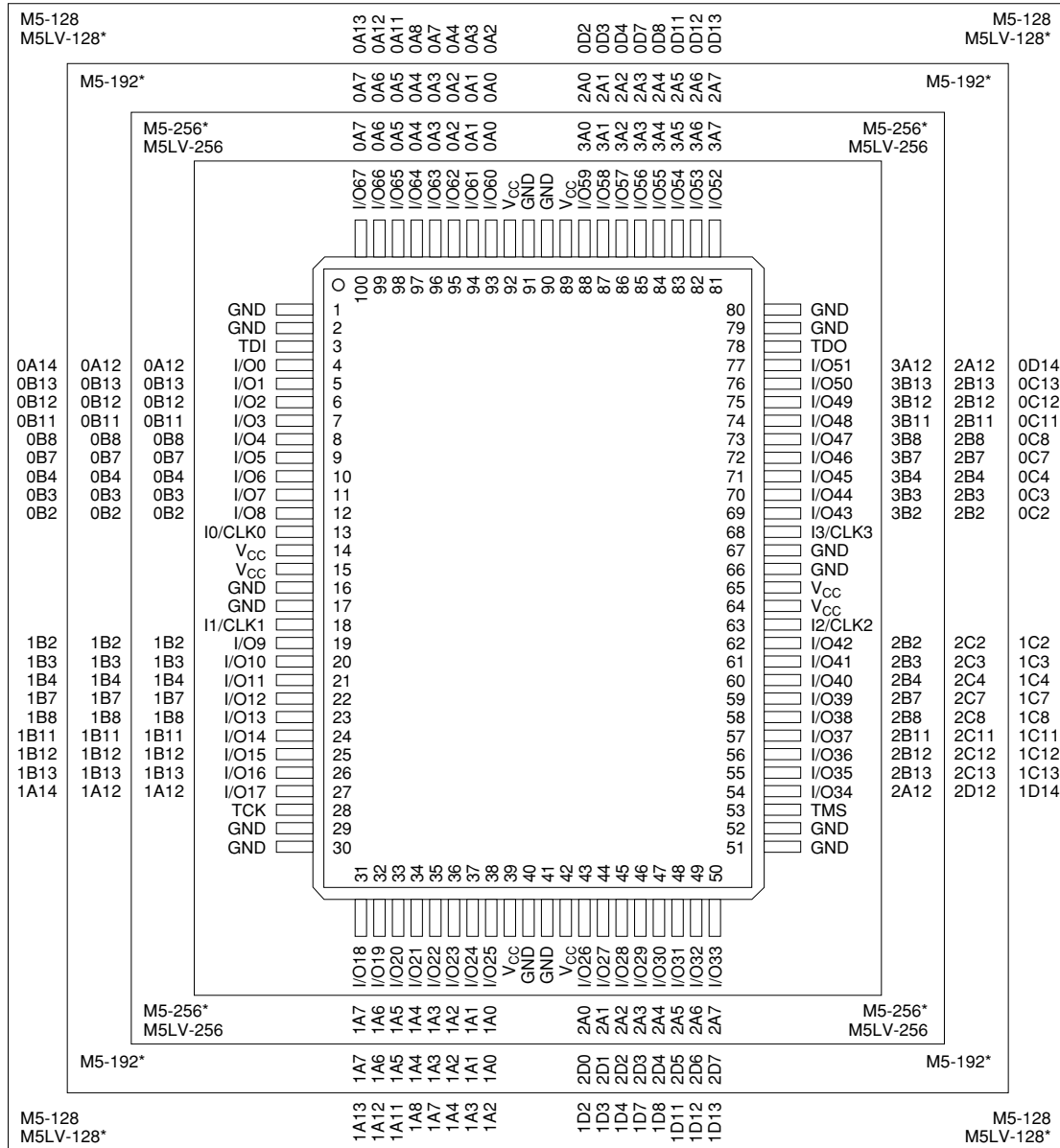
		-5		-6		-7		-10		-12		-15		-20		Unit
		Min	Max	Min	Max	Min	Max	Min	Max	Min	Max	Min	Max	Min	Max	
Power Delays:																
t _{PL1}	Power level 1 delay (Note 2)		4.0 (5.0)		4.0		4.0 (5.0)		4.0 (5.0)		4.0 (5.0)		4.0 (5.0)		4.0 (5.0)	ns
t _{PL2}	Power level 2 delay (Note 2)		6.0 (9.0)		6.0		6.0 (9.0)		6.0 (9.0)		6.0 (9.0)		6.0 (9.0)		6.0 (9.0)	ns
t _{PL3}	Power level 3 delay (Note 2)		9.0 (17.5)		9.0		9.0 (17.5)		9.0 (17.5)		9.0 (17.5)		9.0 (17.5)		9.0 (17.5)	ns
Additional Cluster Delay:																
t _{PT}	Product term cluster delay		0.3		0.3		0.3		0.3		0.3		0.3		0.3	ns
Interconnect Delays:																
t _{BLK}	Block interconnect delay		1.5		1.5		1.5		2.0		2.0		2.0		2.0	ns
t _{SEG}	Segment interconnect delay		4.5		4.5		5.0		6.0		6.0		6.0		6.0	ns
Reset and Preset Delays:																
t _{SRI}	Asynchronous reset or preset to internal register output		6.0		8.0		8.0		10.0		12.0		14.0		16.0	ns
t _{SR}	Asynchronous reset or preset to register output		8.0		10.0		10.0		12.0		14.0		16.0		18.0	ns
t _{SRR}	Reset and set register recovery time	5.5		7.5		7.5		8.0		9.0		10.0		11.0		ns
t _{SRW}	Asynchronous reset or preset width	3.0		4.0		4.0		5.0		6.0		7.0		8.0		ns
Clock Enable Delays:																
t _{CES}	Clock enable setup time	4.0		5.0		5.0		6.0		7.0		7.0		8.0		ns
t _{CEH}	Clock enable hold time	3.0		4.0		4.0		5.0		6.0		6.0		7.0		ns
Width:																
t _{WLS}	Global clock width low (Note 3)	2.5		3.0		3.0		4.0		5.0		6.0		6.0		ns
t _{WHS}	Global clock width high (Note 3)	2.5		3.0		3.0		4.0		5.0		6.0		6.0		ns
t _{WLA}	Product term clock width low	3.0		4.0		4.0		5.0		6.0		7.0		8.0		ns
t _{WHA}	Product term clock width high	3.0		4.0		4.0		5.0		6.0		7.0		8.0		ns
t _{GWA}	Gate width low (for low transparent) or high (for high transparent)	3.0		4.0		4.0		5.0		6.0		7.0		8.0		ns
t _{WIR}	Input register clock width low or high	3.0		4.0		4.0		5.0		6.0		7.0		8.0		ns

Select devices have been discontinued. See Ordering Information section for product status.

100-PIN PQFP CONNECTION DIAGRAM

Top View

100-Pin PQFP (68 I/O)



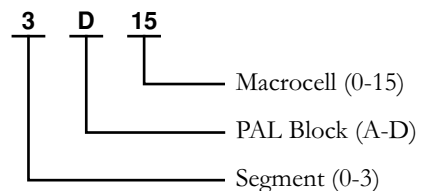
*Package obsolete, contact factory.

20446G-016

Select devices have been discontinued. See Ordering Information section for product status.

Pin Designations

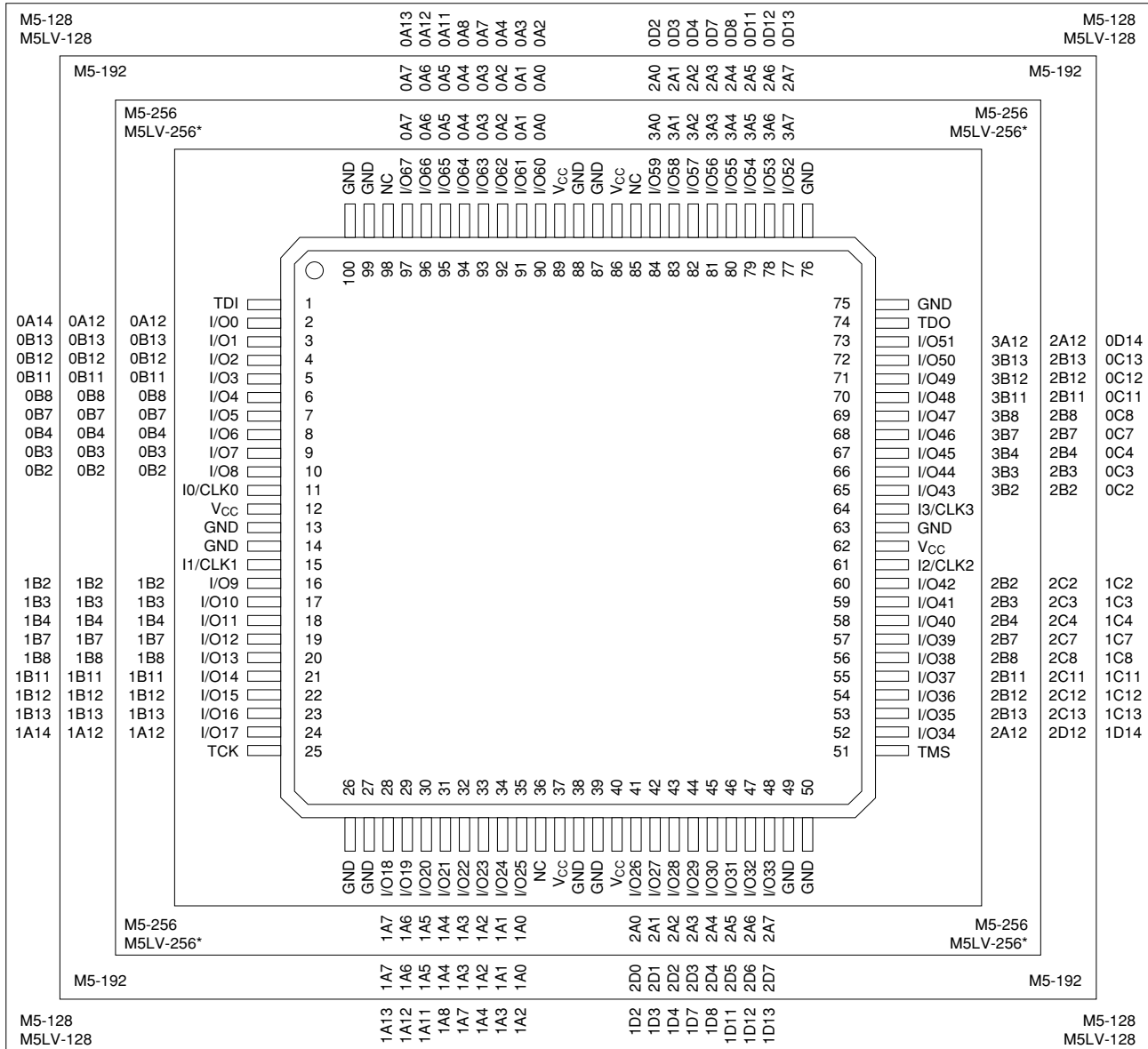
- | | |
|--------------------|----------------------------------|
| CLK = Clock | V _{CC} = Supply Voltage |
| GND = Ground | TDI = Test Data In |
| I = Input | TCK = Test Clock |
| I/O = Input/Output | TMS = Test Mode Select |
| NC = No Connect | TDO = Test Data Out |



100-PIN TQFP CONNECTION DIAGRAM – 68 I/O

Top View

100-Pin TQFP (68 I/O)



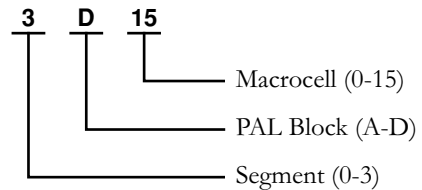
Select devices have been discontinued. See Ordering Information section for product status.

*Package obsolete, contact factory.

20446G-017

Pin Designations

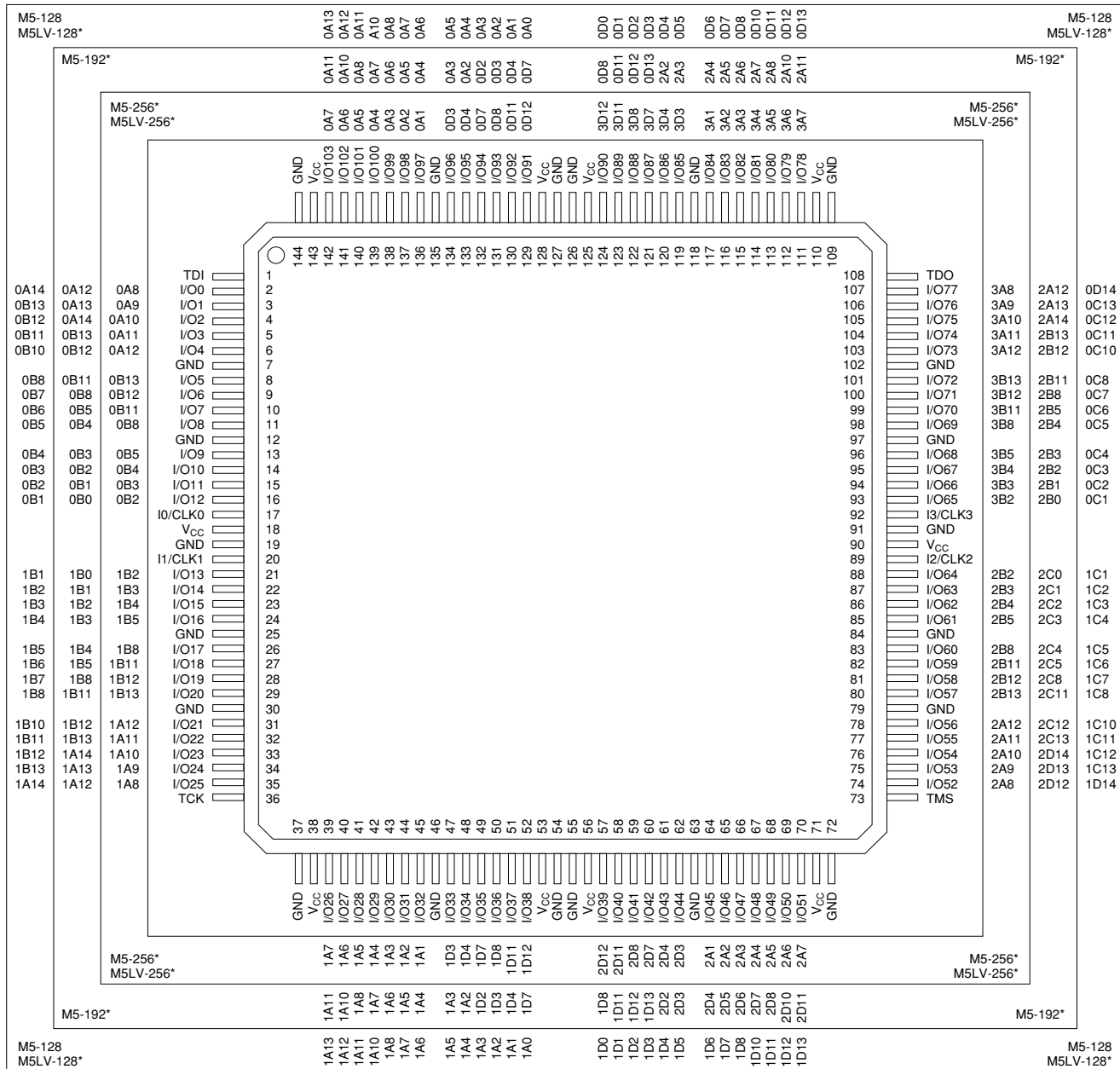
- | | |
|--------------------|----------------------------------|
| CLK = Clock | V _{CC} = Supply Voltage |
| GND = Ground | TDI = Test Data In |
| I = Input | TCK = Test Clock |
| I/O = Input/Output | TMS = Test Mode Select |
| NC = No Connect | TDO = Test Data Out |



144-PIN PQFP CONNECTION DIAGRAM

Top View

144-Pin PQFP



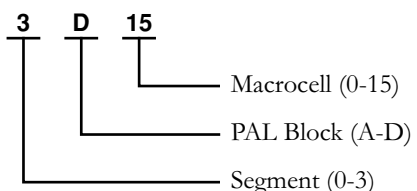
Select devices have been discontinued. See Ordering Information section for product status.

*Package obsolete, contact factory.

20446G-019

Pin Designations

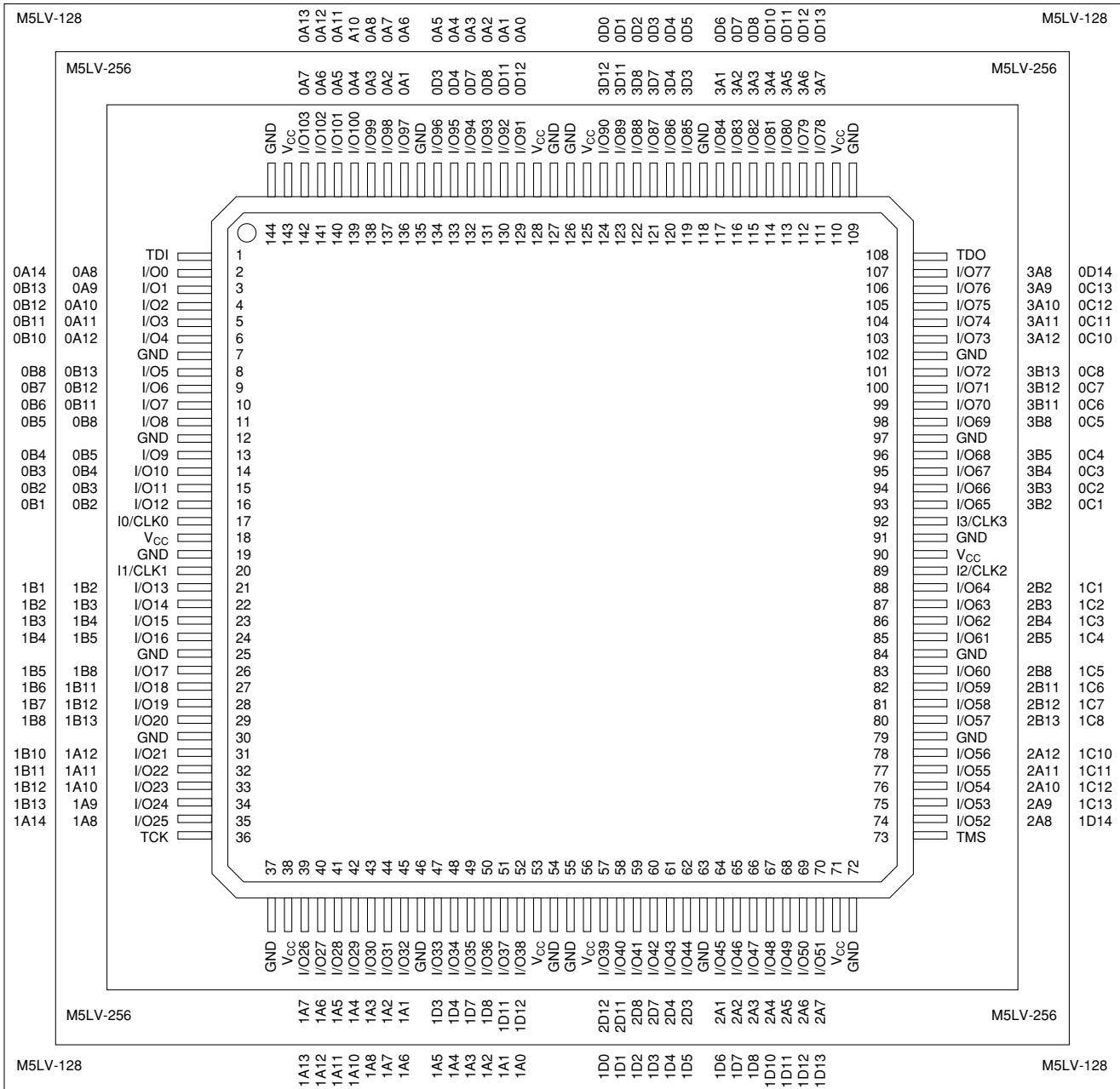
- CLK = Clock
- GND = Ground
- I = Input
- I/O = Input/Output
- NC = No Connect
- V_{CC} = Supply Voltage
- TDI = Test Data In
- TCK = Test Clock
- TMS = Test Mode Select
- TDO = Test Data Out



144-PIN TQFP CONNECTION DIAGRAM

Top View

144-Pin TQFP

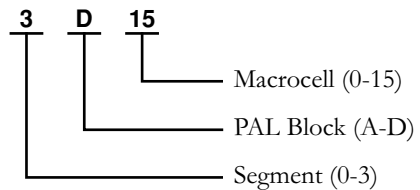


Select devices have been discontinued. See Ordering Information section for product status.

20446G-020

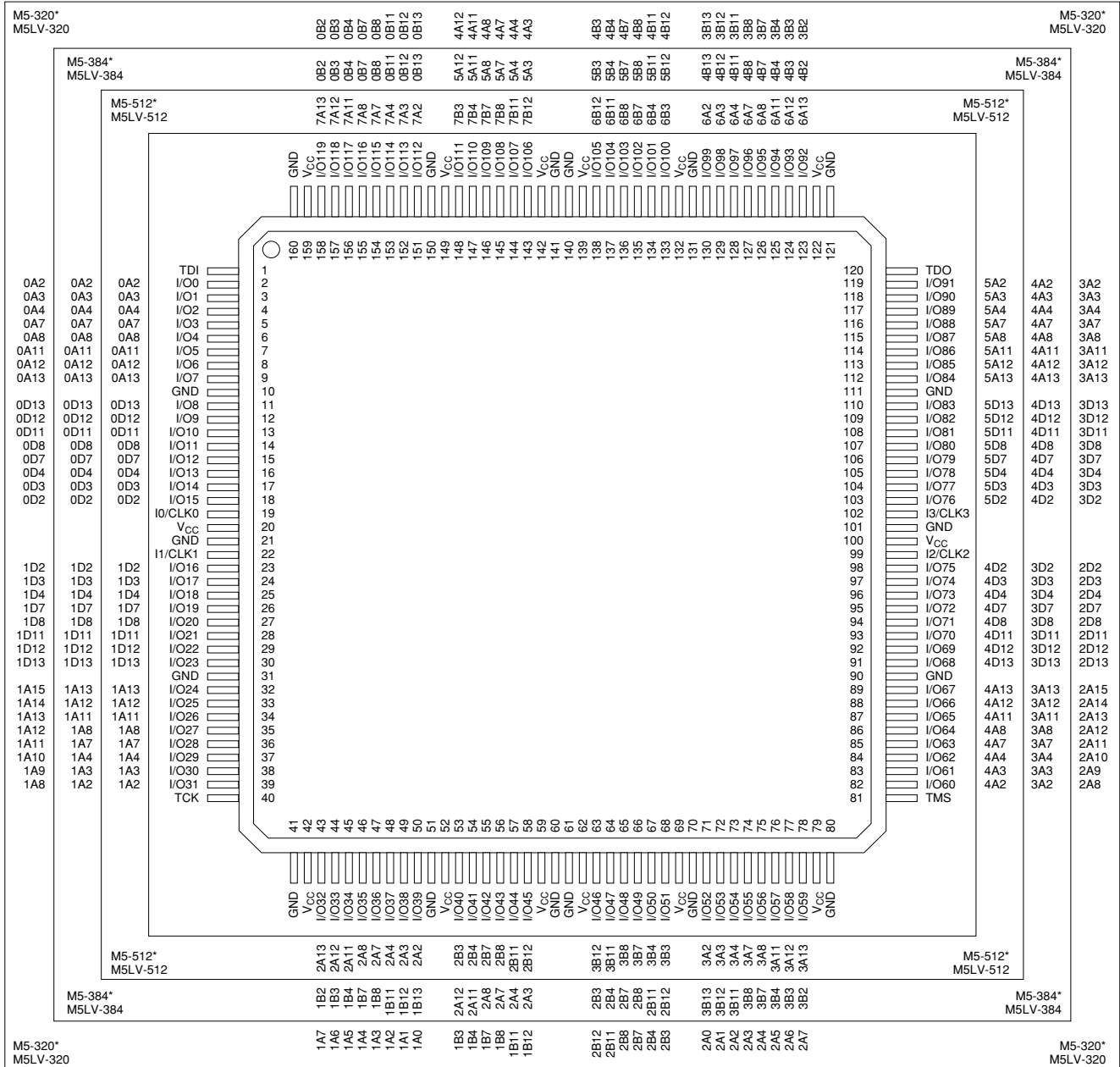
Pin Designations

- CLK = Clock
- GND = Ground
- I = Input
- I/O = Input/Output
- NC = No Connect
- V_{CC} = Supply Voltage
- TDI = Test Data In
- TCK = Test Clock
- TMS = Test Mode Select
- TDO = Test Data Out



160-PIN PQFP (WITH INTERNAL HEAT SPREADER) CONNECTION DIAGRAM Top View

160-Pin PQFP (320, 384, 512 Macrocells)



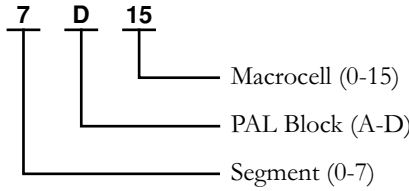
Select devices have been discontinued.
See Ordering Information section for product status.

*Package obsolete, contact factory.

20446G-022

Pin Designations

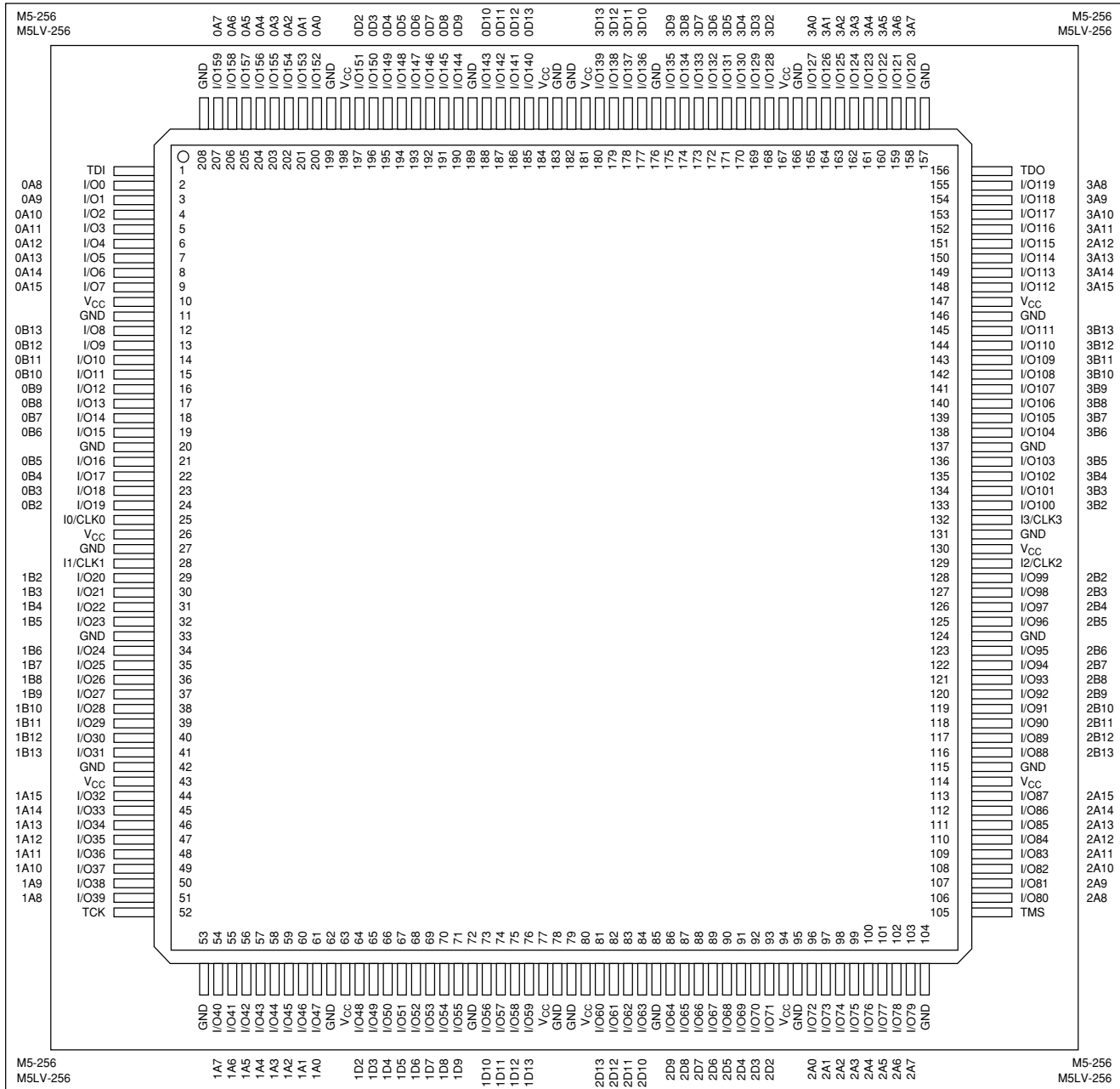
- CLK = Clock
- GND = Ground
- I = Input
- I/O = Input/Output
- NC = No Connect
- V_{CC} = Supply Voltage
- TDI = Test Data In
- TCK = Test Clock
- TMS = Test Mode Select
- TDO = Test Data Out



208-PIN PQFP CONNECTION DIAGRAM

Top View

208-Pin PQFP (256 Macrocells)

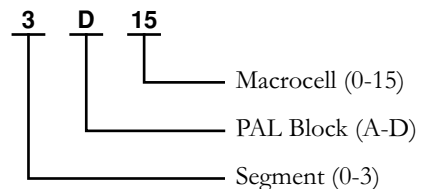


Select devices have been discontinued. See Ordering Information section for product status.

20446G-023

Pin Designations

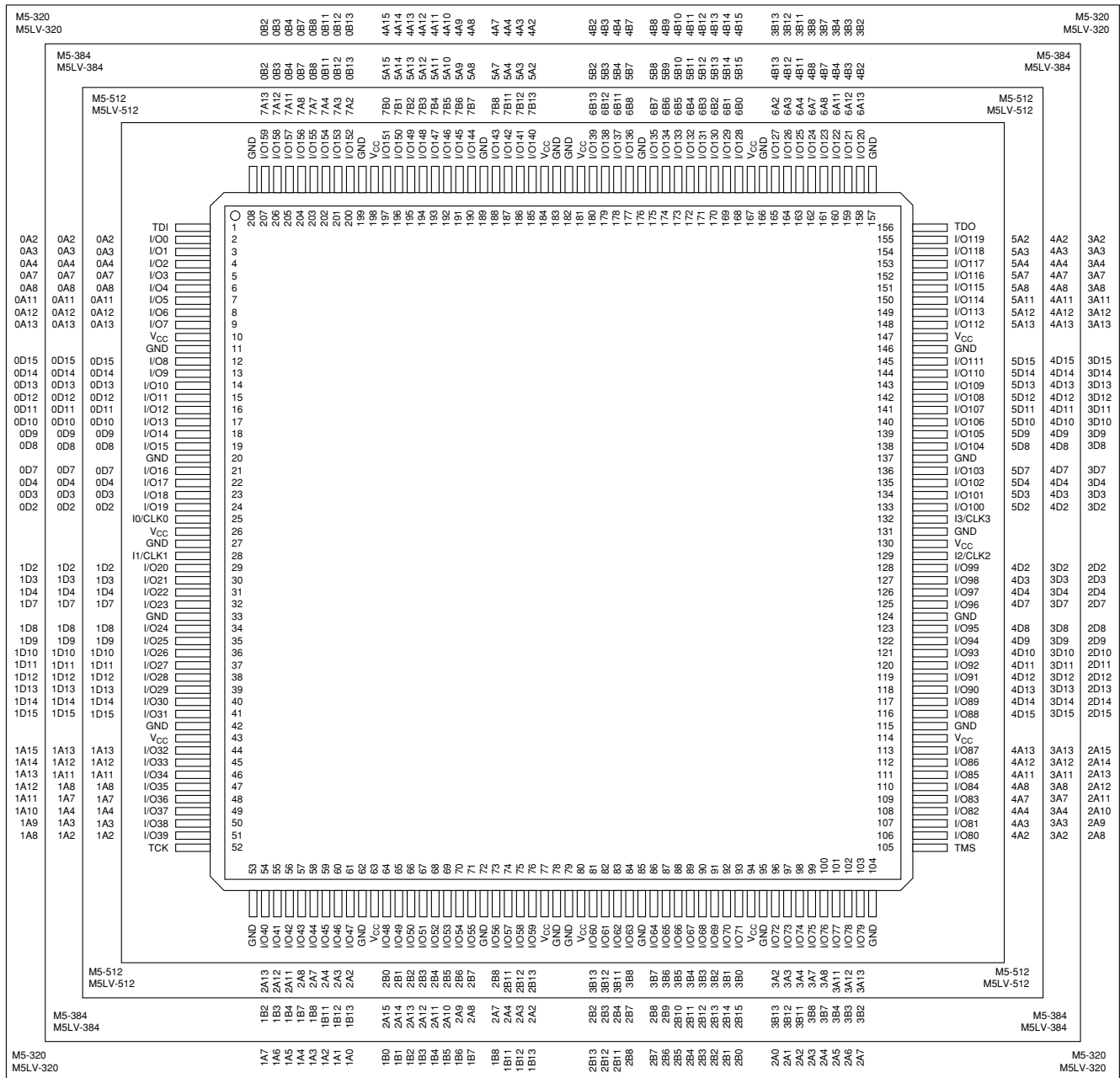
- | | |
|--------------------|----------------------------------|
| CLK = Clock | V _{CC} = Supply Voltage |
| GND = Ground | TDI = Test Data In |
| I = Input | TCK = Test Clock |
| I/O = Input/Output | TMS = Test Mode Select |
| NC = No Connect | TDO = Test Data Out |



208-PIN PQFP (WITH INTERNAL HEAT SPREADER) CONNECTION DIAGRAM

Top View

208-Pin PQFP (320, 384, 512 Macrocells)



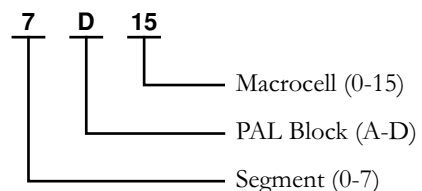
Select devices have been discontinued. See Ordering Information section for product status.

20446G-024

Pin Designations

- CLK = Clock
- GND = Ground
- I = Input
- I/O = Input/Output
- NC = No Connect

- V_{CC} = Supply Voltage
- TDI = Test Data In
- TCK = Test Clock
- TMS = Test Mode Select
- TDO = Test Data Out



352-BALL BGA CONNECTION DIAGRAM — M5-512, M5LV-512

Bottom View (I/O Pin-outs)

352-Ball BGA

	A	B	C	D	E	F	G	H	J	K	L	M	N	P	R	T	U	V	W	Y	AA	AB	AC	AD	AE	AF
1	NC	NC	NC	GND	NC	I/O245	GND	I/O246	I/O247	GND	I/O248	I/O249	I ₃ /CLK ₃	GND	I/O250	I/O251	I/O252	GND	I/O253	I/O254	GND	NC	I/O255	GND	NC	NC
2	NC	NC	NC	I/O224	I/O225	I/O226	I/O227	I/O228	I/O229	I/O230	I/O231	I/O232	I/O233	I/O234	I/O235	I/O236	I/O237	I/O238	I/O239	I/O240	I/O241	I/O242	I/O243	I/O244	GND	NC
3	GND	GND	NC	I/O205	I/O206	I/O207	I/O208	I/O209	I/O210	I/O211	I/O212	I/O213	I/O214	I ₂ /CLK ₂	I/O215	I/O216	I/O217	I/O218	I/O219	I/O220	I/O221	I/O222	I/O223	TMS	NC	NC
4	NC	I/O188	NC	TDO	I/O189	I/O190	I/O191	V _{CC}	I/O192	V _{CC}	I/O193	I/O194	I/O195	V _{CC}	I/O196	I/O197	I/O198	V _{CC}	I/O199	V _{CC}	I/O200	I/O201	V _{CC}	I/O202	I/O203	I/O204
5	GND	I/O183	I/O184	V _{CC}	I/O178	I/O177	I/O176	I/O175	I/O174	I/O173	I/O172	I/O171	I/O170	I/O169	I/O168	I/O167	I/O166	I/O165	I/O164	I/O163	I/O162	I/O161	I/O160	I/O159	I/O158	I/O157
6	NC	I/O176	I/O177	I/O178	I/O179	I/O180	I/O181	I/O182	I/O183	I/O184	I/O185	I/O186	I/O187	I/O188	I/O189	I/O190	I/O191	I/O192	I/O193	I/O194	I/O195	I/O196	I/O197	I/O198	I/O199	I/O200
7	GND	I/O169	I/O170	I/O171	I/O172	I/O173	I/O174	I/O175	I/O176	I/O177	I/O178	I/O179	I/O180	I/O181	I/O182	I/O183	I/O184	I/O185	I/O186	I/O187	I/O188	I/O189	I/O190	I/O191	I/O192	I/O193
8	I/O156	I/O157	I/O158	I/O159	I/O160	I/O161	I/O162	I/O163	I/O164	I/O165	I/O166	I/O167	I/O168	I/O169	I/O170	I/O171	I/O172	I/O173	I/O174	I/O175	I/O176	I/O177	I/O178	I/O179	I/O180	I/O181
9	GND	I/O150	I/O151	V _{CC}	V _{CC}	I/O152	I/O153	I/O154	I/O155	I/O156	I/O157	I/O158	I/O159	I/O160	I/O161	I/O162	I/O163	I/O164	I/O165	I/O166	I/O167	I/O168	I/O169	I/O170	I/O171	I/O172
10	I/O142	I/O143	I/O144	I/O145	I/O146	I/O147	I/O148	I/O149	I/O150	I/O151	I/O152	I/O153	I/O154	I/O155	I/O156	I/O157	I/O158	I/O159	I/O160	I/O161	I/O162	I/O163	I/O164	I/O165	I/O166	I/O167
11	I/O134	I/O135	I/O136	I/O137	I/O138	I/O139	I/O140	I/O141	I/O142	I/O143	I/O144	I/O145	I/O146	I/O147	I/O148	I/O149	I/O150	I/O151	I/O152	I/O153	I/O154	I/O155	I/O156	I/O157	I/O158	I/O159
12	I/O128	I/O129	I/O130	I/O131	I/O132	I/O133	I/O134	I/O135	I/O136	I/O137	I/O138	I/O139	I/O140	I/O141	I/O142	I/O143	I/O144	I/O145	I/O146	I/O147	I/O148	I/O149	I/O150	I/O151	I/O152	I/O153
13	GND	I/O122	I/O123	I/O124	V _{CC}	V _{CC}	I/O125	I/O126	I/O127	I/O128	I/O129	I/O130	I/O131	I/O132	I/O133	I/O134	I/O135	I/O136	I/O137	I/O138	I/O139	I/O140	I/O141	I/O142	I/O143	I/O144
14	I/O114	I/O115	I/O116	I/O117	I/O118	I/O119	I/O120	I/O121	I/O122	I/O123	I/O124	I/O125	I/O126	I/O127	I/O128	I/O129	I/O130	I/O131	I/O132	I/O133	I/O134	I/O135	I/O136	I/O137	I/O138	I/O139
15	NC	I/O107	I/O108	I/O109	I/O110	I/O111	I/O112	I/O113	I/O114	I/O115	I/O116	I/O117	I/O118	I/O119	I/O120	I/O121	I/O122	I/O123	I/O124	I/O125	I/O126	I/O127	I/O128	I/O129	I/O130	I/O131
16	I/O101	I/O102	I/O103	I/O104	V _{CC}	I/O105	I/O106	I/O107	I/O108	I/O109	I/O110	I/O111	I/O112	I/O113	I/O114	I/O115	I/O116	I/O117	I/O118	I/O119	I/O120	I/O121	I/O122	I/O123	I/O124	I/O125
17	GND	I/O87	I/O88	I/O89	I/O90	I/O91	I/O92	I/O93	I/O94	I/O95	I/O96	I/O97	I/O98	I/O99	I/O100	I/O101	I/O102	I/O103	I/O104	I/O105	I/O106	I/O107	I/O108	I/O109	I/O110	I/O111
18	I/O80	I/O81	I/O82	I/O83	I/O84	I/O85	I/O86	I/O87	I/O88	I/O89	I/O90	I/O91	I/O92	I/O93	I/O94	I/O95	I/O96	I/O97	I/O98	I/O99	I/O100	I/O101	I/O102	I/O103	I/O104	I/O105
19	I/O73	I/O74	I/O75	I/O76	I/O77	I/O78	I/O79	I/O80	I/O81	I/O82	I/O83	I/O84	I/O85	I/O86	I/O87	I/O88	I/O89	I/O90	I/O91	I/O92	I/O93	I/O94	I/O95	I/O96	I/O97	I/O98
20	GND	I/O68	I/O69	I/O70	I/O71	I/O72	I/O73	I/O74	I/O75	I/O76	I/O77	I/O78	I/O79	I/O80	I/O81	I/O82	I/O83	I/O84	I/O85	I/O86	I/O87	I/O88	I/O89	I/O90	I/O91	I/O92
21	I/O51	I/O52	I/O53	V _{CC}	I/O54	I/O55	V _{CC}	I/O56	V _{CC}	I/O57	I/O58	I/O59	V _{CC}	I/O60	I/O61	I/O62	V _{CC}	I/O63	V _{CC}	I/O64	I/O65	I/O66	I/O67	I/O68	I/O69	I/O70
22	NC	NC	TDI	I/O32	I/O33	I/O34	I/O35	I/O36	I/O37	I/O38	I/O39	I/O40	I ₀ /CLK ₀	I/O41	I/O42	I/O43	I/O44	I/O45	I/O46	I/O47	I/O48	I/O49	TCK	NC	NC	NC
23	GND	GND	I/O11	I/O12	I/O13	I/O14	I/O15	I/O16	I/O17	I/O18	I/O19	I/O20	I/O21	I/O22	I/O23	I/O24	I/O25	I/O26	I/O27	I/O28	I/O29	I/O30	I/O31	NC	NC	NC
24	NC	NC	TDI	I/O32	I/O33	I/O34	I/O35	I/O36	I/O37	I/O38	I/O39	I/O40	I ₀ /CLK ₀	I/O41	I/O42	I/O43	I/O44	I/O45	I/O46	I/O47	I/O48	I/O49	TCK	NC	NC	NC
25	GND	GND	I/O11	I/O12	I/O13	I/O14	I/O15	I/O16	I/O17	I/O18	I/O19	I/O20	I/O21	I/O22	I/O23	I/O24	I/O25	I/O26	I/O27	I/O28	I/O29	I/O30	I/O31	NC	NC	NC
26	NC	NC	GND	I/O0	NC	GND	I/O1	I/O2	GND	I/O3	I/O4	I/O5	GND	I ₁ /CLK ₁	I/O6	I/O7	GND	I/O8	I/O9	GND	I/O10	NC	NC	NC	NC	NC

Pin Designations

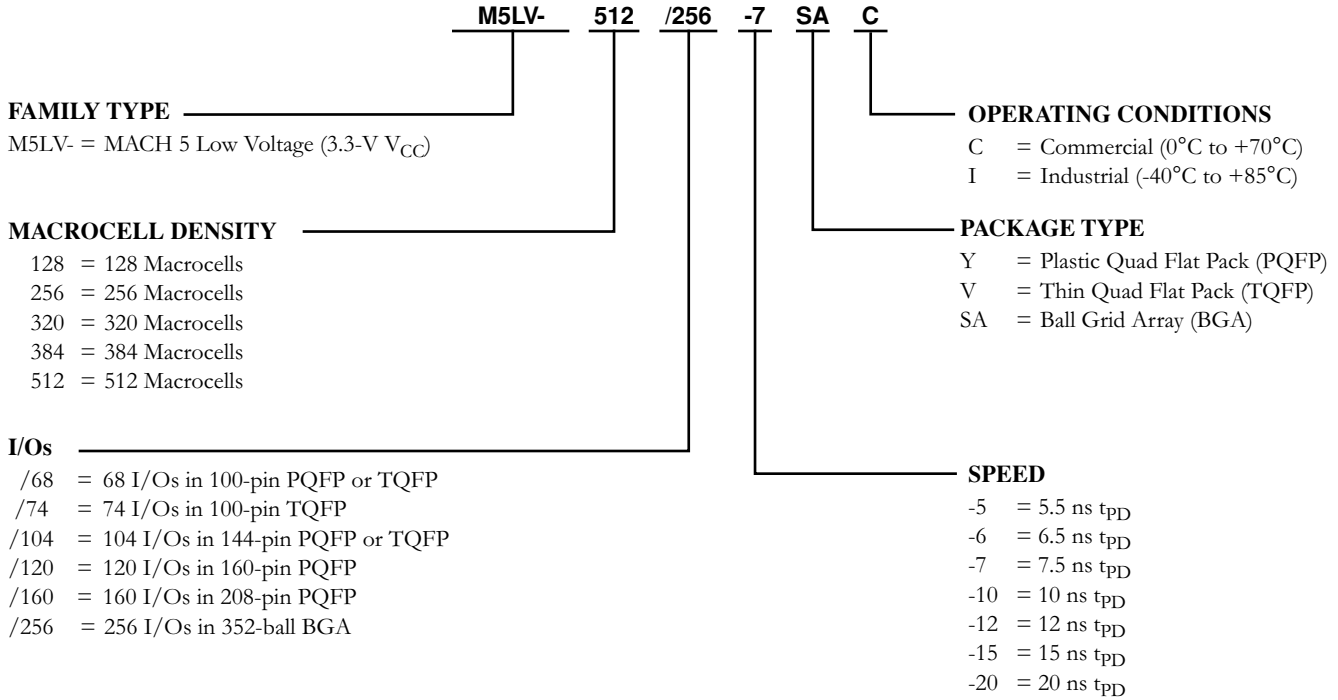
- CLK = Clock
- GND = Ground
- I = Input
- I/O = Input/Output
- NC = No Connect
- V_{CC} = Supply Voltage
- TDI = Test Data In
- TCK = Test Clock
- TMS = Test Mode Select
- TDO = Test Data Out

20446G-030

Select devices have been discontinued.
See Ordering Information section for product status.

3.3V M5LV ORDERING INFORMATION¹

Lattice standard products are available in several packages and operating ranges. The order number (Valid Combination) is formed by a combination of the elements below.



Note:

1. See below for valid device/package combinations.

Valid Combinations			
M5LV-128/68	Commercial: -5, -7, -10, -12	VC, VI	
M5LV-128/74		VC, VI	
M5LV-128/104		VC, VI	
M5LV-128/120		YC, YI	
M5LV-256/68		YC, YI	
M5LV-256/74		Industrial: -7, -10, -12, -15	VC, VI
M5LV-256/104			VC, VI
M5LV-256/120			YC, YI
M5LV-256/160			YC, YI

Device Marking

Actual device marking differs from the ordering part number (OPN). All MACH devices are dual-marked with both Commercial and Industrial grades. The Industrial grade is slower, i.e., M5LV-512/256-7AC-10AI.

Valid Combinations			
M5LV-320/120	Commercial: -6, -7, -10, -12, -15	YC, YI	
M5LV-320/160		YC, YI	
M5LV-384/120		YC, YI	
M5LV-384/160		YC, YI	
M5LV-512/120		Industrial: -10, -12, -15, -20	YC, YI
M5LV-512/160			YC, YI
M5LV-512/256			SAC, SAI

Valid Combinations

Valid Combinations list configurations planned to be supported in volume for this device. Consult the local Lattice sales office to confirm availability of specific valid combinations and to check on newly released combinations.

Select devices have been discontinued. See Ordering Information section for product status.