



Welcome to [E-XFL.COM](https://www.e-xfl.com)

Understanding Embedded - FPGAs (Field Programmable Gate Array)

Embedded - FPGAs, or Field Programmable Gate Arrays, are advanced integrated circuits that offer unparalleled flexibility and performance for digital systems. Unlike traditional fixed-function logic devices, FPGAs can be programmed and reprogrammed to execute a wide array of logical operations, enabling customized functionality tailored to specific applications. This reprogrammability allows developers to iterate designs quickly and implement complex functions without the need for custom hardware.

Applications of Embedded - FPGAs

The versatility of Embedded - FPGAs makes them indispensable in numerous fields. In telecommunications,

Details

Product Status	Obsolete
Number of LABs/CLBs	-
Number of Logic Elements/Cells	1500
Total RAM Bits	18432
Number of I/O	112
Number of Gates	-
Voltage - Supply	1.14V ~ 1.26V
Mounting Type	Surface Mount
Operating Temperature	-40°C ~ 100°C (Tj)
Package / Case	208-BFQFP
Supplier Device Package	208-PQFP (28x28)
Purchase URL	https://www.e-xfl.com/product-detail/lattice-semiconductor/lfec1e-4qn208i

Figure 2-8. Per Quadrant Primary Clock Selection

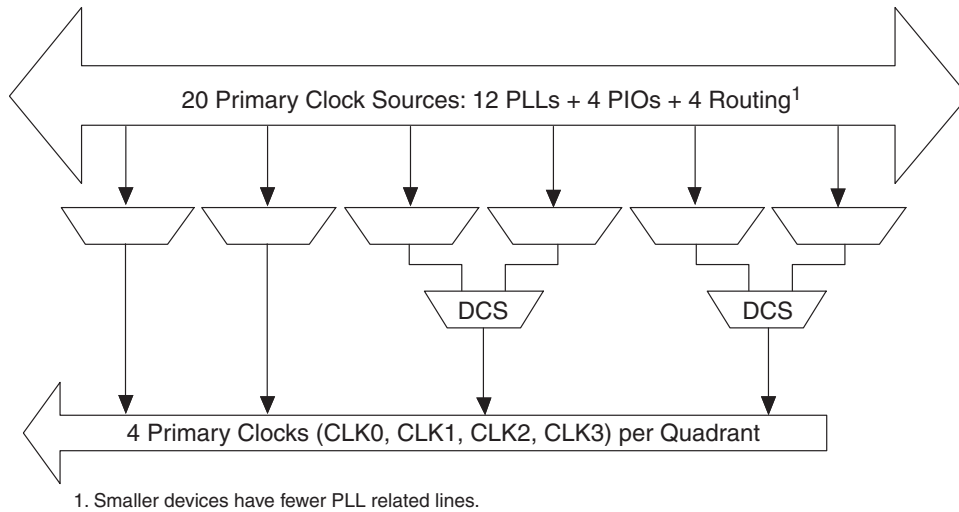


Figure 2-9. Per Quadrant Secondary Clock Selection

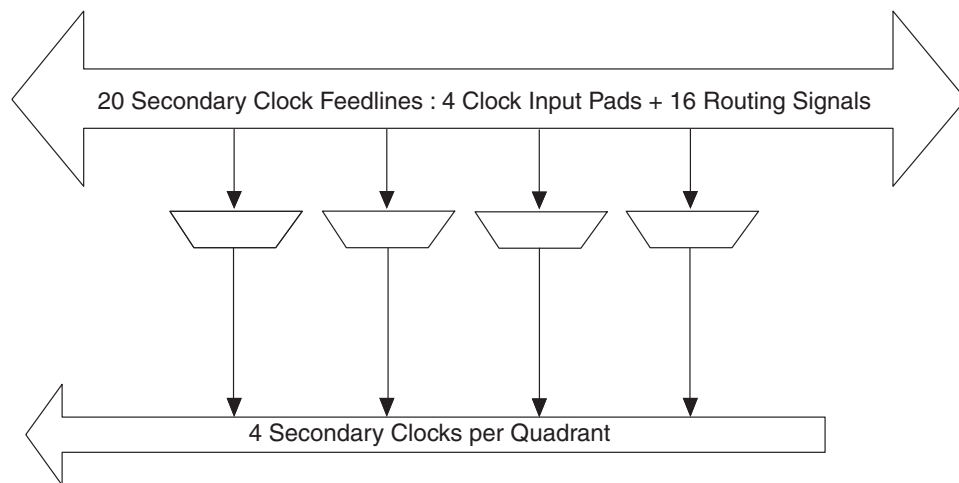
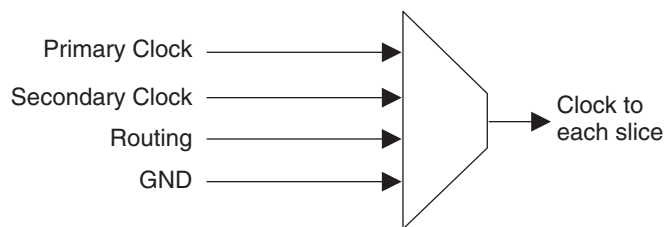


Figure 2-10. Slice Clock Selection



sysCLOCK Phase Locked Loops (PLLs)

The PLL clock input, from pin or routing, feeds into an input clock divider. There are three sources of feedback signal to the feedback divider: from CLKOP (PLL Internal), from clock net (CLKOP) or from a user clock (PIN or logic). There is a PLL_LOCK signal to indicate that VCO has locked on to the input clock signal. Figure 2-11 shows the sysCLOCK PLL diagram.

The setup and hold times of the device can be improved by programming a delay in the feedback or input path of the PLL which will advance or delay the output clock with reference to the input clock. This delay can be either pro-

Table 2-5. PLL Signal Descriptions

Signal	I/O	Description
CLKI	I	Clock input from external pin or routing
CLKFB	I	PLL feedback input from CLKOP (PLL internal), from clock net (CLKOP) or from a user clock (PIN or logic)
RST	I	"1" to reset PLL
CLKOS	O	PLL output clock to clock tree (phase shifted/duty cycle changed)
CLKOP	O	PLL output clock to clock tree (No phase shift)
CLKOK	O	PLL output to clock tree through secondary clock divider
LOCK	O	"1" indicates PLL LOCK to CLKI
DDAMODE	I	Dynamic Delay Enable. "1": Pin control (dynamic), "0": Fuse Control (static)
DDAIZR	I	Dynamic Delay Zero. "1": delay = 0, "0": delay = on
DDAILAG	I	Dynamic Delay Lag/Lead. "1": Lead, "0": Lag
DDAIDEL[2:0]	I	Dynamic Delay Input
DDAOZR	O	Dynamic Delay Zero Output
DDAOLAG	O	Dynamic Delay Lag/Lead Output
DDAODEL[2:0]	O	Dynamic Delay Output

For more information about the PLL, please see the list of technical documentation at the end of this data sheet.

Dynamic Clock Select (DCS)

The DCS is a global clock buffer with smart multiplexer functions. It takes two independent input clock sources and outputs a clock signal without any glitches or runt pulses. This is achieved regardless of where the select signal is toggled. There are eight DCS blocks per device, located in pairs at the center of each side. Figure 2-13 illustrates the DCS Block Macro.

Figure 2-13. DCS Block Primitive

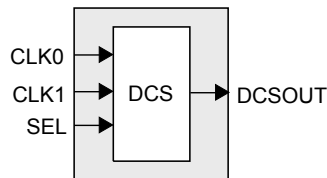


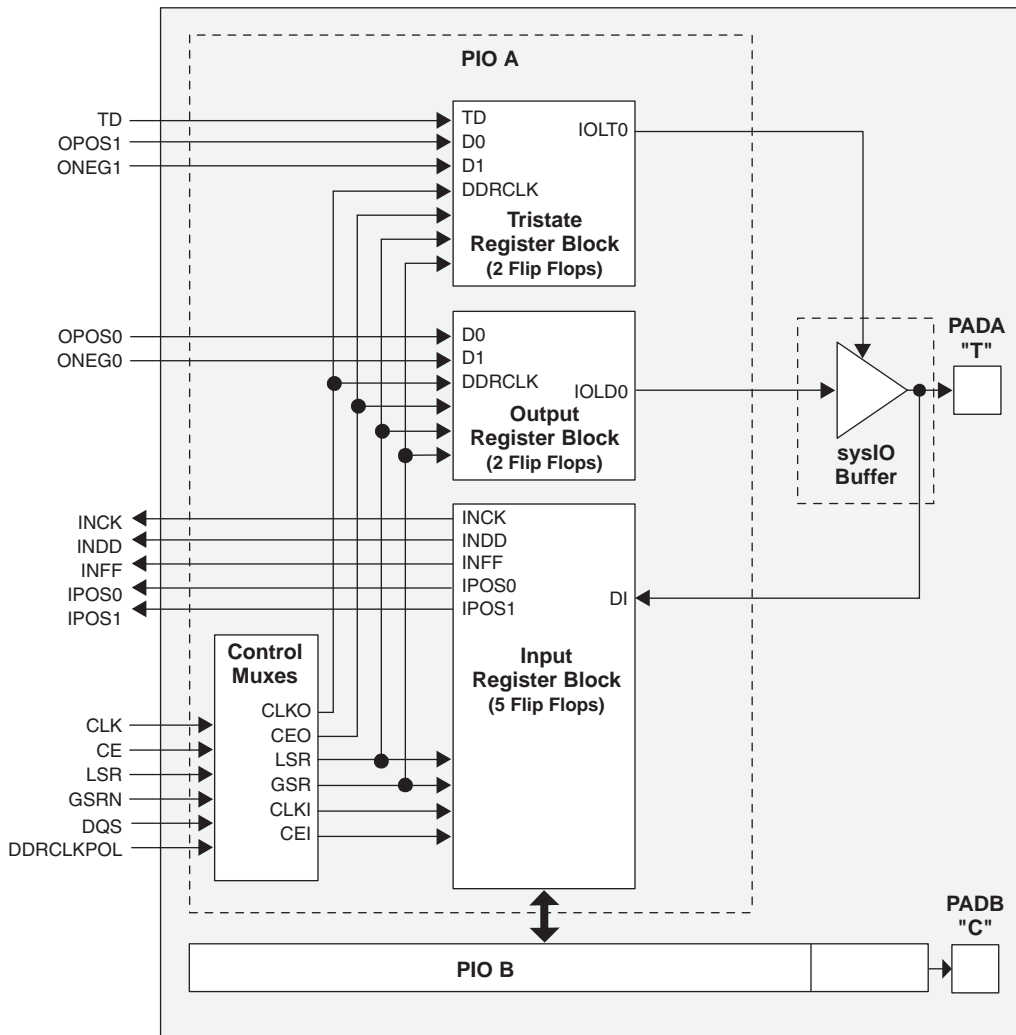
Figure 2-14 shows timing waveforms of the default DCS operating mode. The DCS block can be programmed to other modes. For more information about the DCS, please see the list of technical documentation at the end of this data sheet.

For further information about the sysDSP block, please see the list of technical information at the end of this data sheet.

Programmable I/O Cells (PIC)

Each PIC contains two PIOs connected to their respective sysI/O Buffers which are then connected to the PADs as shown in Figure 2-24. The PIO Block supplies the output data (DO) and the Tri-state control signal (TO) to sysI/O buffer, and receives input from the buffer.

Figure 2-24. PIC Diagram



Two adjacent PIOs can be joined to provide a differential I/O pair (labeled as “T” and “C”) as shown in Figure 2-25. The PAD Labels “T” and “C” distinguish the two PIOs. Only the PIO pairs on the left and right edges of the device can be configured as LVDS transmit/receive pairs.

One of every 16 PIOs contains a delay element to facilitate the generation of DQS signals. The DQS signal feeds the DQS bus which spans the set of 16 PIOs. Figure 2-25 shows the assignment of DQS pins in each set of 16 PIOs. The exact DQS pins are shown in a dual function in the Logic Signal Connections table at the end of this data sheet. Additional detail is provided in the Signal Descriptions table at the end of this data sheet. The DQS signal from the bus is used to strobe the DDR data from the memory into input register blocks. This interface is designed for memories that support one DQS strobe per eight bits of data.

DC Electrical Characteristics

Over Recommended Operating Conditions

Symbol	Parameter	Condition	Min.	Typ.	Max.	Units
I_{IL}, I_{IH}^1	Input or I/O Leakage	$0 \leq V_{IN} \leq (V_{CCIO} - 0.2V)$	—	—	10	μA
$I_{IH}^{1,3}$	Input or I/O High Leakage	$(V_{CCIO} - 0.2V) \leq V_{IH} \leq 3.6V$	—	—	40	μA
I_{PU}	I/O Active Pull-up Current	$0 \leq V_{IN} \leq 0.7 V_{CCIO}$	-30	—	-150	μA
I_{PD}	I/O Active Pull-down Current	$V_{IL} (MAX) \leq V_{IN} \leq V_{IH} (MAX)$	30	—	150	μA
I_{BHLS}	Bus Hold Low sustaining current	$V_{IN} = V_{IL} (MAX)$	30	—	—	μA
I_{BHHS}	Bus Hold High sustaining current	$V_{IN} = 0.7V_{CCIO}$	-30	—	—	μA
I_{BHLO}	Bus Hold Low Overdrive current	$0 \leq V_{IN} \leq V_{IH} (MAX)$	—	—	150	μA
I_{BHLH}	Bus Hold High Overdrive current	$0 \leq V_{IN} \leq V_{IH} (MAX)$	—	—	-150	μA
V_{BHT}	Bus Hold trip Points	$0 \leq V_{IN} \leq V_{IH} (MAX)$	$V_{IL} (MAX)$	—	$V_{IH} (MIN)$	V
C1	I/O Capacitance ²	$V_{CCIO} = 3.3V, 2.5V, 1.8V, 1.5V, 1.2V,$ $V_{CC} = 1.2V, V_{IO} = 0 \text{ to } V_{IH} (MAX)$	—	8	—	pf
C2	Dedicated Input Capacitance ²	$V_{CCIO} = 3.3V, 2.5V, 1.8V, 1.5V, 1.2V,$ $V_{CC} = 1.2V, V_{IO} = 0 \text{ to } V_{IH} (MAX)$	—	6	—	pf

1. Input or I/O leakage current is measured with the pin configured as an input or as an I/O with the output driver tri-stated. It is not measured with the output driver active. Bus maintenance circuits are disabled.
2. T_A 25°C, $f = 1.0MHz$
3. For top and bottom general purpose I/O pins, when V_{IH} is higher than V_{CCIO} , a transient current typically of 30ns in duration or less with a peak current of 6mA can occur on the high-to-low transition. For left and right I/O banks, V_{IH} must be less than or equal to V_{CCIO} .

RSDS

The LatticeECP/EC devices support differential RSDS standard. This standard is emulated using complementary LVCMOS outputs in conjunction with a parallel resistor across the driver outputs. The RSDS input standard is supported by the LVDS differential input buffer. The scheme shown in Figure 3-4 is one possible solution for RSDS standard implementation. Use LVDS25E mode with suggested resistors for RSDS operation. Resistor values in Figure 3-4 are industry standard values for 1% resistors.

Figure 3-4. RSDS (Reduced Swing Differential Standard)

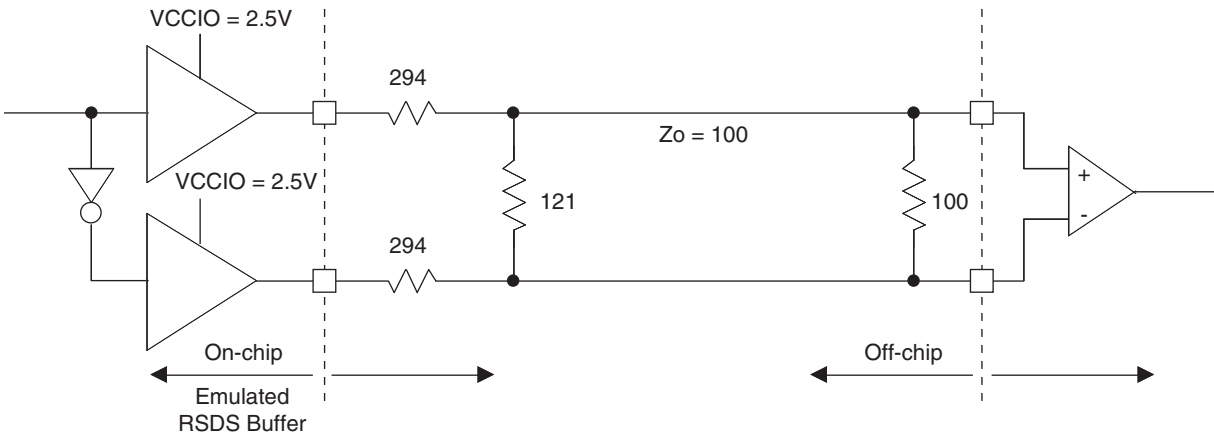


Table 3-4. RSDS DC Conditions

Parameter	Description	Typical	Units
Z_{OUT}	Output impedance	20	ohm
R_S	Driver series resistor	294	ohm
R_P	Driver parallel resistor	121	ohm
R_T	Receiver termination	100	ohm
V_{OH}	Output high voltage	1.35	V
V_{OL}	Output low voltage	1.15	V
V_{OD}	Output differential voltage	0.20	V
V_{CM}	Output common mode voltage	1.25	V
Z_{BACK}	Back impedance	101.5	ohm
I_{DC}	DC output current	3.66	mA

Typical Building Block Function Performance

Pin-to-Pin Performance (LVCMOS25 12mA Drive)

Function	-5 Timing	Units
Basic Functions		
16-bit decoder	5.5	ns
32-bit decoder	6.9	ns
64-bit decoder	7.1	ns
4:1 MUX	4.3	ns
8:1 MUX	4.7	ns
16:1 MUX	5.0	ns
32:1 MUX	5.5	ns

Register-to-Register Performance¹

Function	-5 Timing	Units
Basic Functions		
16 bit decoder	410	MHz
32 bit decoder	283	MHz
64 bit decoder	272	MHz
4:1 MUX	613	MHz
8:1 MUX	565	MHz
16:1 MUX	526	MHz
32:1 MUX	442	MHz
8-bit adder	363	MHz
16-bit adder	353	MHz
64-bit adder	196	MHz
16-bit counter	414	MHz
32-bit counter	317	MHz
64-bit counter	216	MHz
64-bit accumulator	178	MHz
Embedded Memory Functions		
256x36 Single Port RAM	280	MHz
512x18 True-Dual Port RAM	280	MHz
Distributed Memory Functions		
16x2 Single Port RAM	460	MHz
64x2 Single Port RAM	375	MHz
128x4 Single Port RAM	294	MHz
32x2 Pseudo-Dual Port RAM	392	MHz
64x4 Pseudo-Dual Port RAM	332	MHz
DSP Function²		
9x9 Pipelined Multiply/Accumulate	242	MHz
18x18 Pipelined Multiply/Accumulate	238	MHz
36x36 Pipelined Multiply	235	MHz

1. These timing numbers were generated using the ispLEVER design tool. Exact performance may vary with design and tool version. The tool uses internal parameters that have been characterized but are not tested on every device.

2. Applies to LatticeECP devices only.

Timing v.G 0.30

LatticeECP/EC External Switching Characteristics

Over Recommended Operating Conditions

Parameter	Description	Device	-5		-4		-3		Units
			Min.	Max.	Min.	Max.	Min.	Max.	
General I/O Pin Parameters (Using Primary Clock without PLL)¹									
t_{CO}^7	Clock to Output - PIO Output Register	LFEC1	—	5.09	—	6.11	—	7.13	ns
		LFEC3	—	5.71	—	6.85	—	7.99	ns
		LFEC6	—	5.60	—	6.72	—	7.84	ns
		LFEC10	—	5.47	—	6.57	—	7.66	ns
		LFEC15	—	5.67	—	6.81	—	7.94	ns
		LFEC20	—	5.89	—	7.07	—	8.25	ns
		LFEC33	—	6.19	—	7.42	—	8.66	ns
t_{SU}^7	Clock to Data Setup - PIO Input Register	LFEC1	-0.08	—	-0.10	—	-0.12	—	ns
		LFEC3	-0.70	—	-0.84	—	-0.98	—	ns
		LFEC6	-0.63	—	-0.76	—	-0.89	—	ns
		LFEC10	-0.43	—	-0.52	—	-0.61	—	ns
		LFEC15	-0.70	—	-0.84	—	-0.98	—	ns
		LFEC20	-0.88	—	-1.06	—	-1.24	—	ns
		LFEC33	-1.12	—	-1.34	—	-1.56	—	ns
t_H^7	Clock to Data Hold - PIO Input Register	LFEC1	2.19	—	2.62	—	3.06	—	ns
		LFEC3	2.80	—	3.36	—	3.92	—	ns
		LFEC6	2.69	—	3.23	—	3.77	—	ns
		LFEC10	2.56	—	3.08	—	3.59	—	ns
		LFEC15	2.76	—	3.32	—	3.87	—	ns
		LFEC20	2.99	—	3.58	—	4.18	—	ns
		LFEC33	3.28	—	3.93	—	4.59	—	ns
$t_{SU_DEL}^7$	Clock to Data Setup - PIO Input Register with Data Input Delay	LFEC1	3.36	—	4.03	—	4.70	—	ns
		LFEC3	2.74	—	3.29	—	3.84	—	ns
		LFEC6	2.81	—	3.37	—	3.93	—	ns
		LFEC10	3.01	—	3.61	—	4.21	—	ns
		LFEC15	2.74	—	3.29	—	3.83	—	ns
		LFEC20	2.56	—	3.07	—	3.58	—	ns
		LFEC33	2.32	—	2.79	—	3.25	—	ns
$t_{H_DEL}^7$	Clock to Data Hold - PIO Input Register with Input Data Delay	LFEC1	-1.31	—	-1.57	—	-1.83	—	ns
		LFEC3	-0.70	—	-0.83	—	-0.97	—	ns
		LFEC6	-0.80	—	-0.96	—	-1.12	—	ns
		LFEC10	-0.93	—	-1.12	—	-1.30	—	ns
		LFEC15	-0.73	—	-0.88	—	-1.02	—	ns
		LFEC20	-0.51	—	-0.61	—	-0.71	—	ns
		LFEC33	-0.22	—	-0.26	—	-0.30	—	ns
$f_{MAX_IO}^2$	Clock Frequency of I/O and PFU Register	All	—	420	—	378	—	340	Mhz
DDR I/O Pin Parameters^{3, 4, 5}									
t_{DVADQ}	Data Valid After DQS (DDR Read)	All	—	0.19	—	0.19	—	0.19	UI
t_{DVEDQ}	Data Hold After DQS (DDR Read)	All	0.67	—	0.67	—	0.67	—	UI

LatticeECP/EC Internal Switching Characteristics (Continued)
Over Recommended Operating Conditions

Parameter	Description	-5		-4		-3		Units
		Min.	Max.	Min.	Max.	Min.	Max.	
t _{SUCE_EBR}	Clock Enable Setup Time to EBR Output Register	0.18	—	0.21	—	0.25	—	ns
t _{HCE_EBR}	Clock Enable Hold Time to EBR Output Register	-0.14	—	-0.17	—	-0.20	—	ns
t _{RSTO_EBR}	Reset To Output Delay Time from EBR Output Register	—	1.47	—	1.76	—	2.05	ns
PLL Parameters								
t _{RSTREC}	Reset Recovery to Rising Clock	1.00	—	1.00	—	1.00	—	ns
t _{RSTSU}	Reset Signal Setup Time	1.00	—	1.00	—	1.00	—	ns
DSP Block Timing^{2,3}								
t _{SUI_DSP}	Input Register Setup Time	-0.38	—	-0.30	—	-0.23	—	ns
t _{HI_DSP}	Input Register Hold Time	0.71	—	0.86	—	1.00	—	ns
t _{SUP_DSP}	Pipeline Register Setup Time	3.31	—	3.98	—	4.64	—	ns
t _{HP_DSP}	Pipeline Register Hold Time	0.71	—	0.86	—	1.00	—	ns
t _{SUO_DSP⁴}	Output Register Setup Time	5.54	—	6.64	—	7.75	—	ns
t _{HO_DSP⁴}	Output Register Hold Time	0.71	—	0.86	—	1.00	—	ns
t _{COI_DSP⁴}	Input Register Clock to Output Time	—	7.50	—	9.00	—	10.50	ns
t _{COP_DSP⁴}	Pipeline Register Clock to Output Time	—	4.66	—	5.60	—	6.53	ns
t _{COO_DSP}	Output Register Clock to Output Time	—	1.47	—	1.77	—	2.06	ns
t _{SUADSUB}	AdSub Input Register Setup Time	-0.38	—	-0.30	—	-0.23	—	ns
t _{HADSUB}	AdSub Input Register Hold Time	0.71	—	0.86	—	1.00	—	ns

1. Internal parameters are characterized but not tested on every device.

2. These parameters apply to LatticeECP devices only.

3. DSP Block is configured in Multiply Add/Sub 18 x 18 Mode.

4. These parameters include the Adder Subtractor block in the path.

Timing v.G 0.30

Timing Diagrams

PFU Timing Diagrams

Figure 3-6. Slice Single/Dual Port Write Cycle Timing

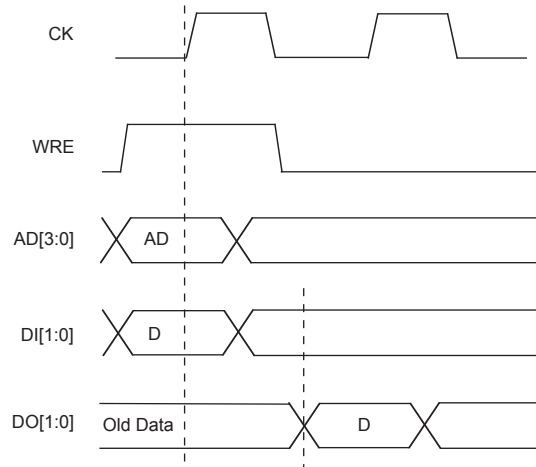


Figure 3-7. Slice Single /Dual Port Read Cycle Timing



sysCLOCK PLL Timing

Over Recommended Operating Conditions

Parameter	Description	Conditions	Min.	Typ.	Max.	Units
f _{IN}	Input Clock Frequency (CLKI, CLKFB)		25	—	420	MHz
f _{OUT}	Output Clock Frequency (CLKOP, CLKOS)		25	—	420	MHz
f _{OUT2}	K-Divider Output Frequency (CLKOK)		0.195	—	210	MHz
f _{VCO}	PLL VCO Frequency		420	—	840	MHz
f _{PFD}	Phase Detector Input Frequency		25	—	—	MHz
AC Characteristics						
t _{DT}	Output Clock Duty Cycle	Default Duty Cycle Elected ³	45	50	55	%
t _{PH} ⁴	Output Phase Accuracy		—	—	0.05	UI
t _{OPJIT} ¹	Output Clock Period Jitter	f _{OUT} ≥ 100MHz	—	—	+/- 125	ps
		f _{OUT} < 100MHz	—	—	0.02	UIPP
t _{SK}	Input Clock to Output Clock Skew	Divider ratio = integer	—	—	+/- 200	ps
t _W	Output Clock Pulse Width	At 90% or 10% ³	1	—	—	ns
t _{LOCK} ²	PLL Lock-in Time		—	—	150	μs
t _{PA}	Programmable Delay Unit		100	250	450	ps
t _{IPJIT}	Input Clock Period Jitter		—	—	+/- 200	ps
t _{FBKDLY}	External Feedback Delay		—	—	10	ns
t _{HI}	Input Clock High Time	90% to 90%	0.5	—	—	ns
t _{LO}	Input Clock Low Time	10% to 10%	0.5	—	—	ns
t _{RST}	RST Pulse Width		10	—	—	ns

1. Jitter sample is taken over 10,000 samples of the primary PLL output with clean reference clock.

2. Output clock is valid after t_{LOCK} for PLL reset and dynamic delay adjustment.

3. Using LVDS output buffers.

4. Relative to CLKOP.

Timing v.G 0.30

LFEC1, LFEC3 Logic Signal Connections: 208 PQFP (Cont.)

Pin Number	LFEC1				LFEC3			
	Pin Function	Bank	LVDS	Dual Function	Pin Function	Bank	LVDS	Dual Function
169	PT13A	1	T		PT21A	1	T	
170	PT12B	1	C		PT20B	1	C	
171	PT12A	1	T		PT20A	1	T	
172	PT11B	1	C	VREF2_1	PT19B	1	C	VREF2_1
173	PT11A	1	T	VREF1_1	PT19A	1	T	VREF1_1
174	PT10B	1	C		PT18B	1	C	
175	PT10A	1	T		PT18A	1	T	
176	VCCIO1	1			VCCIO1	1		
177	VCCAUX	-			VCCAUX	-		
178	PT9B	0	C	PCLKC0_0	PT17B	0	C	PCLKC0_0
179	GND0	0			GND0	0		
180	PT9A	0	T	PCLKT0_0	PT17A	0	T	PCLKT0_0
181	PT8B	0	C	VREF1_0	PT16B	0	C	VREF1_0
182	PT8A	0	T	VREF2_0	PT16A	0	T	VREF2_0
183	PT7B	0	C		PT15B	0	C	
184	PT7A	0	T		PT15A	0	T	
185	PT6B	0	C		PT14B	0	C	
186	PT6A	0	T	TDQS6	PT14A	0	T	TDQS14
187	VCCIO0	0			VCCIO0	0		
188	PT5B	0	C		PT13B	0	C	
189	NC	-			GND0	0		
190	PT5A	0	T		PT13A	0	T	
191	PT4B	0	C		PT12B	0	C	
192	PT4A	0	T		PT12A	0	T	
193	PT3B	0	C		PT11B	0	C	
194	PT3A	0	T		PT11A	0	T	
195	PT2B	0	C		PT10B	0	C	
196	PT2A	0	T		PT10A	0	T	
197	NC	-			VCCIO0	0		
198	NC	-			PT6B	0	C	
199	NC	-			PT6A	0	T	TDQS6
200	NC	-			PT5B	0	C	
201	NC	-			PT5A	0	T	
202	NC	-			PT4B	0	C	
203	NC	-			PT4A	0	T	
204	NC	-			PT3B	0	C	
205	NC	-			PT3A	0	T	
206	NC	-			PT2B	0	C	
207	NC	-			PT2A	0	T	
208	VCCIO0	0			VCCIO0	0		

* Double bonded to the pin.

LFCEP/EC6, LFCEP/EC10 Logic Signal Connections: 208 PQFP (Cont.)

Pin Number	LFCEP6/LFCEC6				LFCEP10/LFCEC10			
	Pin Function	Bank	LVDS	Dual Function	Pin Function	Bank	LVDS	Dual Function
127	CFG0	3			CFG0	3		
128	VCC	-			VCC	-		
129	PROGRAMN	3			PROGRAMN	3		
130	CCLK	3			CCLK	3		
131	INITN	3			INITN	3		
132	GND	-			GND	-		
133	DONE	3			DONE	3		
134	GND	-			GND	-		
135	VCC	-			VCC	-		
136	VCCAUX	-			VCCAUX	-		
137	PR9B	2	C	PCLKC2_0	PR18B	2	C	PCLKC2_0
138	GND2	2			GND2	2		
139	PR9A	2	T	PCLKT2_0	PR18A	2	T	PCLKT2_0
140	PR8B	2	C		PR17B	2	C	
141	PR8A	2	T		PR17A	2	T	
142	PR7B	2	C		PR16B	2	C	
143	PR7A	2	T		PR16A	2	T	
144	PR6B	2	C		PR15B	2	C	
145	VCCIO2	2			VCCIO2	2		
146	PR6A	2	T	RDQS6	PR15A	2	T	RDQS15
147	PR5B	2	C		PR14B	2	C	
148	PR5A	2	T		PR14A	2	T	
149	PR4B	2	C		PR13B	2	C	
150	PR4A	2	T		PR13A	2	T	
151	NC	-			GND	-		
152	NC	-			VCC	-		
153	PR2B	2	C	VREF1_2	PR2B	2	C	VREF1_2
154	PR2A	2	T	VREF2_2	PR2A	2	T	VREF2_2
155	VCCIO2	2			VCCIO2	2		
156*	GND1 GND2	-			GND1 GND2	-		
157	VCCIO1	1			VCCIO1	1		
158	PT33A	1			PT41A	1		
159	PT25B	1	C		PT33B	1	C	
160	PT25A	1	T		PT33A	1	T	
161	PT24B	1	C		PT32B	1	C	
162	PT24A	1	T		PT32A	1	T	
163	PT23B	1	C		PT31B	1	C	
164	PT23A	1	T		PT31A	1	T	
165	PT22B	1	C		PT30B	1	C	
166	PT22A	1	T	TDQS22	PT30A	1	T	TDQS30
167	PT21B	1	C		PT29B	1	C	
168	GND1	1			GND1	1		

LFEC6/EC6, LFEC6/EC10 Logic Signal Connections: 208 PQFP (Cont.)

Pin Number	LFEC6/LFEC6				LFEC10/LFEC10			
	Pin Function	Bank	LVDS	Dual Function	Pin Function	Bank	LVDS	Dual Function
169	PT21A	1	T		PT29A	1	T	
170	PT20B	1	C		PT28B	1	C	
171	PT20A	1	T		PT28A	1	T	
172	PT19B	1	C	VREF2_1	PT27B	1	C	VREF2_1
173	PT19A	1	T	VREF1_1	PT27A	1	T	VREF1_1
174	PT18B	1	C		PT26B	1	C	
175	PT18A	1	T		PT26A	1	T	
176	VCCIO1	1			VCCIO1	1		
177	VCCAUX	-			VCCAUX	-		
178	PT17B	0	C	PCLKC0_0	PT25B	0	C	PCLKC0_0
179	GND0	0			GND0	0		
180	PT17A	0	T	PCLKT0_0	PT25A	0	T	PCLKT0_0
181	PT16B	0	C	VREF1_0	PT24B	0	C	VREF1_0
182	PT16A	0	T	VREF2_0	PT24A	0	T	VREF2_0
183	PT15B	0	C		PT23B	0	C	
184	PT15A	0	T		PT23A	0	T	
185	PT14B	0	C		PT22B	0	C	
186	PT14A	0	T	TDQS14	PT22A	0	T	TDQS22
187	VCCIO0	0			VCCIO0	0		
188	PT13B	0	C		PT21B	0	C	
189	GND0	0			GND0	0		
190	PT13A	0	T		PT21A	0	T	
191	PT12B	0	C		PT20B	0	C	
192	PT12A	0	T		PT20A	0	T	
193	PT11B	0	C		PT19B	0	C	
194	PT11A	0	T		PT19A	0	T	
195	PT10B	0	C		PT18B	0	C	
196	PT10A	0	T		PT18A	0	T	
197	VCCIO0	0			VCCIO0	0		
198	PT6B	0	C		PT6B	0	C	
199	PT6A	0	T	TDQS6	PT6A	0	T	TDQS6
200	PT5B	0	C		PT5B	0	C	
201	PT5A	0	T		PT5A	0	T	
202	PT4B	0	C		PT4B	0	C	
203	PT4A	0	T		PT4A	0	T	
204	PT3B	0	C		PT3B	0	C	
205	PT3A	0	T		PT3A	0	T	
206	PT2B	0	C		PT2B	0	C	
207	PT2A	0	T		PT2A	0	T	
208	VCCIO0	0			VCCIO0	0		

*Double bonded to the pin.

LFEC3 and LFECP/EC6 Logic Signal Connections: 256 fpBGA (Cont.)

Ball Number	LFEC3				LFECP6/LFEC6			
	Ball Function	Bank	LVDS	Dual Function	Ball Function	Bank	LVDS	Dual Function
C16	PR4B	2	C		PR4B	2	C	
B16	PR4A	2	T		PR4A	2	T	
C15	PR3B	2	C		PR3B	2	C	
C14	PR3A	2	T		PR3A	2	T	
D14	PR2B	2	C	VREF1_2	PR2B	2	C	VREF1_2
D13	PR2A	2	T	VREF2_2	PR2A	2	T	VREF2_2
GND	GND2	2			GND2	2		
GND	GND1	1			GND1	1		
-	-	-			GND1	1		
B13	NC	-			PT26B	1	C	
C13	NC	-			PT26A	1	T	
C12	PT25B	1	C		PT25B	1	C	
-	-	-			GND1	1		
D12	PT25A	1	T		PT25A	1	T	
A15	PT24B	1	C		PT24B	1	C	
B14	PT24A	1	T		PT24A	1	T	
D11	PT23B	1	C		PT23B	1	C	
C11	PT23A	1	T		PT23A	1	T	
E10	PT22B	1	C		PT22B	1	C	
E11	PT22A	1	T	TDQS22	PT22A	1	T	TDQS22
A14	PT21B	1	C		PT21B	1	C	
GND	GND1	1			GND1	1		
A13	PT21A	1	T		PT21A	1	T	
D10	PT20B	1	C		PT20B	1	C	
C10	PT20A	1	T		PT20A	1	T	
A12	PT19B	1	C	VREF2_1	PT19B	1	C	VREF2_1
B12	PT19A	1	T	VREF1_1	PT19A	1	T	VREF1_1
A11	PT18B	1	C		PT18B	1	C	
B11	PT18A	1	T		PT18A	1	T	
A10	PT17B	0	C	PCLKC0_0	PT17B	0	C	PCLKC0_0
GND	GND0	0			GND0	0		
B10	PT17A	0	T	PCLKT0_0	PT17A	0	T	PCLKT0_0
C9	PT16B	0	C	VREF1_0	PT16B	0	C	VREF1_0
B9	PT16A	0	T	VREF2_0	PT16A	0	T	VREF2_0
E9	PT15B	0	C		PT15B	0	C	
D9	PT15A	0	T		PT15A	0	T	
D8	PT14B	0	C		PT14B	0	C	
C8	PT14A	0	T	TDQS14	PT14A	0	T	TDQS14
A9	PT13B	0	C		PT13B	0	C	
GND	GND0	0			GND0	0		
A8	PT13A	0	T		PT13A	0	T	
B8	PT12B	0	C		PT12B	0	C	
B7	PT12A	0	T		PT12A	0	T	

LFECP/EC10 and LFECP/EC15 Logic Signal Connections: 256 fpBGA (Cont.)

Ball Number	LFECP10/LFEC10				LFECP15/LFEC15			
	Ball Function	Bank	LVDS	Dual Function	Ball Function	Bank	LVDS	Dual Function
N7	PB18B	5	C		PB18B	5	C	
R7	PB19A	5	T		PB19A	5	T	
R8	PB19B	5	C		PB19B	5	C	
M7	PB20A	5	T		PB20A	5	T	
M8	PB20B	5	C		PB20B	5	C	
T8	PB21A	5	T		PB21A	5	T	
GND	GND5	5			GND5	5		
T9	PB21B	5	C		PB21B	5	C	
P8	PB22A	5	T	BDQS22	PB22A	5	T	BDQS22
N8	PB22B	5	C		PB22B	5	C	
R9	PB23A	5	T		PB23A	5	T	
R10	PB23B	5	C		PB23B	5	C	
P9	PB24A	5	T	VREF2_5	PB24A	5	T	VREF2_5
N9	PB24B	5	C	VREF1_5	PB24B	5	C	VREF1_5
T10	PB25A	5	T	PCLKT5_0	PB25A	5	T	PCLKT5_0
GND	GND5	5			GND5	5		
T11	PB25B	5	C	PCLKC5_0	PB25B	5	C	PCLKC5_0
T12	PB26A	4	T	WRITEN	PB26A	4	T	WRITEN
T13	PB26B	4	C	CS1N	PB26B	4	C	CS1N
P10	PB27A	4	T	VREF1_4	PB27A	4	T	VREF1_4
N10	PB27B	4	C	CSN	PB27B	4	C	CSN
T14	PB28A	4	T	VREF2_4	PB28A	4	T	VREF2_4
T15	PB28B	4	C	D0/SPID7	PB28B	4	C	D0/SPID7
M10	PB29A	4	T	D2/SPID5	PB29A	4	T	D2/SPID5
GND	GND4	4			GND4	4		
M11	PB29B	4	C	D1/SPID6	PB29B	4	C	D1/SPID6
R11	PB30A	4	T	BDQS30	PB30A	4	T	BDQS30
P11	PB30B	4	C	D3/SPID4	PB30B	4	C	D3/SPID4
R13	PB31A	4	T		PB31A	4	T	
R14	PB31B	4	C	D4/SPID3	PB31B	4	C	D4/SPID3
P12	PB32A	4	T		PB32A	4	T	
P13	PB32B	4	C	D5/SPID2	PB32B	4	C	D5/SPID2
N11	PB33A	4	T		PB33A	4	T	
GND	GND4	4			GND4	4		
N12	PB33B	4	C	D6/SPID1	PB33B	4	C	D6/SPID1
R12	PB34A	4			PB34A	4		
GND	GND4	4			GND4	4		
GND	GND4	4			GND4	4		
-	-	-			GND4	4		
-	-	-			GND4	4		
GND	GND3	3			GND3	3		
N13	PR36B	3	C	VREF2_3	PR44B	3	C	VREF2_3
N14	PR36A	3	T	VREF1_3	PR44A	3	T	VREF1_3

**LFECP/EC6, LFECP/EC10, LFECP/EC15 Logic Signal Connections:
 484 fpBGA (Cont.)**

LFECP6/LFEC6					LFECP10/LFEC10					LFECP/LFEC15				
Ball Number	Ball Function	Bank	LVDS	Dual Function	Ball Number	Ball Function	Bank	LVDS	Dual Function	Ball Number	Ball Function	Bank	LVDS	Dual Function
C21	NC	-			C21	PR5B	2	C		C21	PR5B	2	C	
C20	NC	-			C20	PR5A	2	T		C20	PR5A	2	T	
F18	NC	-			F18	PR4B	2	C		F18	PR4B	2	C	
E18	NC	-			E18	PR4A	2	T		E18	PR4A	2	T	
B22	NC	-			B22	PR3B	2	C		B22	PR3B	2	C	
B21	NC	-			B21	PR3A	2	T		B21	PR3A	2	T	
E19	PR2B	2	C	VREF1_2	E19	PR2B	2	C	VREF1_2	E19	PR2B	2	C	VREF1_2
D19	PR2A	2	T	VREF2_2	D19	PR2A	2	T	VREF2_2	D19	PR2A	2	T	VREF2_2
GND	GND2	2			GND	GND2	2			GND	GND2	2		
GND	GND1	1			GND	GND1	1			GND	GND1	1		
G17	NC	-			G17	NC	-			G17	PT49B	1	C	
F17	NC	-			F17	NC	-			F17	PT49A	1	T	
D18	NC	-			D18	NC	-			D18	PT48B	1	C	
C18	NC	-			C18	NC	-			C18	PT48A	1	T	
C19	NC	-			C19	NC	-			C19	PT47B	1	C	
B20	NC	-			B20	NC	-			B20	PT47A	1	T	
D17	NC	-			D17	NC	-			D17	PT46B	1	C	
C16	NC	-			C16	NC	-			C16	PT46A	1	T	TDQS46
B19	NC	-			B19	NC	-			B19	PT45B	1	C	
GND	-	-			GND	-	-			GND	GND1	1		
A20	NC	-			A20	NC	-			A20	PT45A	1	T	
E17	NC	-			E17	NC	-			E17	PT44B	1	C	
C17	NC	-			C17	NC	-			C17	PT44A	1	T	
F16	NC	-			F16	NC	-			F16	PT43B	1	C	
E16	NC	-			E16	NC	-			E16	PT43A	1	T	
F15	NC	-			F15	NC	-			F15	PT42B	1	C	
D16	NC	-			D16	NC	-			D16	PT42A	1	T	
B18	PT33B	1	C		B18	PT41B	1	C		B18	PT41B	1	C	
GND	-	-			GND	-	-			GND	GND1	1		
A19	PT33A	1	T		A19	PT41A	1	T		A19	PT41A	1	T	
B17	PT32B	1	C		B17	PT40B	1	C		B17	PT40B	1	C	
A18	PT32A	1	T		A18	PT40A	1	T		A18	PT40A	1	T	
B16	PT31B	1	C		B16	PT39B	1	C		B16	PT39B	1	C	
A17	PT31A	1	T		A17	PT39A	1	T		A17	PT39A	1	T	
B15	PT30B	1	C		B15	PT38B	1	C		B15	PT38B	1	C	
A16	PT30A	1	T	TDQS30	A16	PT38A	1	T	TDQS38	A16	PT38A	1	T	TDQS38
A15	PT29B	1	C		A15	PT37B	1	C		A15	PT37B	1	C	
GND	GND1	1			GND	GND1	1			GND	GND1	1		
A14	PT29A	1	T		A14	PT37A	1	T		A14	PT37A	1	T	
G14	PT28B	1	C		G14	PT36B	1	C		G14	PT36B	1	C	
E15	PT28A	1	T		E15	PT36A	1	T		E15	PT36A	1	T	
D15	PT27B	1	C		D15	PT35B	1	C		D15	PT35B	1	C	
C15	PT27A	1	T		C15	PT35A	1	T		C15	PT35A	1	T	
C14	PT26B	1	C		C14	PT34B	1	C		C14	PT34B	1	C	
B14	PT26A	1	T		B14	PT34A	1	T		B14	PT34A	1	T	
A13	PT25B	1	C		A13	PT33B	1	C		A13	PT33B	1	C	
GND	GND1	1			GND	GND1	1			GND	GND1	1		
B13	PT25A	1	T		B13	PT33A	1	T		B13	PT33A	1	T	
E14	PT24B	1	C		E14	PT32B	1	C		E14	PT32B	1	C	
C13	PT24A	1	T		C13	PT32A	1	T		C13	PT32A	1	T	

LFECP/EC20 and LFECP/EC33 Logic Signal Connections: 484 fpBGA (Cont.)

LFECP20/LFEC20					LFECP/LFEC33				
Ball Number	Ball Function	Bank	LVD S	Dual Function	Ball Number	Ball Function	Bank	LVD S	Dual Function
AB1	GND	-			AB1	GND	-		
AB22	GND	-			AB22	GND	-		
H15	GND	-			H15	GND	-		
H8	GND	-			H8	GND	-		
J10	GND	-			J10	GND	-		
J11	GND	-			J11	GND	-		
J12	GND	-			J12	GND	-		
J13	GND	-			J13	GND	-		
J14	GND	-			J14	GND	-		
J9	GND	-			J9	GND	-		
K10	GND	-			K10	GND	-		
K11	GND	-			K11	GND	-		
K12	GND	-			K12	GND	-		
K13	GND	-			K13	GND	-		
K14	GND	-			K14	GND	-		
K9	GND	-			K9	GND	-		
L10	GND	-			L10	GND	-		
L11	GND	-			L11	GND	-		
L12	GND	-			L12	GND	-		
L13	GND	-			L13	GND	-		
L14	GND	-			L14	GND	-		
L9	GND	-			L9	GND	-		
M10	GND	-			M10	GND	-		
M11	GND	-			M11	GND	-		
M12	GND	-			M12	GND	-		
M13	GND	-			M13	GND	-		
M14	GND	-			M14	GND	-		
M9	GND	-			M9	GND	-		
N10	GND	-			N10	GND	-		
N11	GND	-			N11	GND	-		
N12	GND	-			N12	GND	-		
N13	GND	-			N13	GND	-		
N14	GND	-			N14	GND	-		
N9	GND	-			N9	GND	-		
P10	GND	-			P10	GND	-		
P11	GND	-			P11	GND	-		
P12	GND	-			P12	GND	-		
P13	GND	-			P13	GND	-		
P14	GND	-			P14	GND	-		
P9	GND	-			P9	GND	-		
R15	GND	-			R15	GND	-		
R8	GND	-			R8	GND	-		
J16	VCC	-			J16	VCC	-		
J7	VCC	-			J7	VCC	-		

LFCEP/EC20, LFCEP/EC33 Logic Signal Connections: 672 fpBGA (Cont.)

LFCEP/EC20					LFCEP/EC33				
Ball Number	Ball Function	Bank	LVDS	Dual Function	Ball Number	Ball Function	Bank	LVDS	Dual Function
L24	PR17A	2	T		L24	PR29A	2	T	
K25	PR16B	2	C		K25	PR28B	2	C	
J25	PR16A	2	T		J25	PR28A	2	T	
J26	PR15B	2	C		J26	PR27B	2	C	
H26	PR15A	2	T		H26	PR27A	2	T	
H25	PR14B	2	C		H25	PR26B	2	C	
GND	GND2	2			GND	GND2	2		
J24	PR14A	2	T		J24	PR26A	2	T	
K21	PR13B	2	C		K21	PR25B	2	C	
K22	PR13A	2	T		K22	PR25A	2	T	
K20	PR12B	2	C		K20	PR24B	2	C	
J20	PR12A	2	T		J20	PR24A	2	T	
K23	PR11B	2	C		K23	PR23B	2	C	
K24	PR11A	2	T		K24	PR23A	2	T	RDQS23
J21	NC	-			J21	PR22B	2	C	
-	-	-			GND	GND2	2		
J22	NC	-			J22	PR22A	2	T	
J23	NC	-			J23	PR21B	2	C	
H22	NC	-			H22	PR21A	2	T	
G26	NC	-			G26	PR20B	2	C	
F26	NC	-			F26	PR20A	2	T	
E26	NC	-			E26	PR19B	2	C	
E25	NC	-			E25	PR19A	2	T	
F25	PR9B	2	C	RUM0_PLLC_FB_A	F25	PR17B	2	C	RUM0_PLLC_FB_A
GND	GND2	2			GND	GND2	2		
G25	PR9A	2	T	RUM0_PLLT_FB_A	G25	PR17A	2	T	RUM0_PLLT_FB_A
H23	PR8B	2	C	RUM0_PLLC_IN_A	H23	PR16B	2	C	RUM0_PLLC_IN_A
H24	PR8A	2	T	RUM0_PLLT_IN_A	H24	PR16A	2	T	RUM0_PLLT_IN_A
H21	PR7B	2	C		H21	PR15B	2	C	
G21	PR7A	2	T		G21	PR15A	2	T	
D26	PR6B	2	C		D26	PR14B	2	C	
D25	PR6A	2	T	RDQS6	D25	PR14A	2	T	RDQS14
F21	PR5B	2	C		F21	PR13B	2	C	
-	-	-			GND	GND2	2		
G22	PR5A	2	T		G22	PR13A	2	T	
G24	PR4B	2	C		G24	PR12B	2	C	
G23	PR4A	2	T		G23	PR12A	2	T	
C26	PR3B	2	C		C26	PR11B	2	C	
C25	PR3A	2	T		C25	PR11A	2	T	
F24	NC	-			F24	PR9B	2	C	
-	-	-			GND	GND2	2		
F23	NC	-			F23	PR9A	2	T	

LatticeEC Commercial (Continued)

Part Number	I/Os	Grade	Package	Pins/Balls	Temp.	LUTs
LFEC10E-4FN256C	195	-4	Lead-Free fpBGA	256	COM	10.2K
LFEC10E-5FN256C	195	-5	Lead-Free fpBGA	256	COM	10.2K
LFEC10E-3QN208C	147	-3	Lead-Free PQFP	208	COM	10.2K
LFEC10E-4QN208C	147	-4	Lead-Free PQFP	208	COM	10.2K
LFEC10E-5QN208C	147	-5	Lead-Free PQFP	208	COM	10.2K

Part Number	I/Os	Grade	Package	Pins/Balls	Temp.	LUTs
LFEC15E-3FN484C	352	-3	Lead-Free fpBGA	484	COM	15.3K
LFEC15E-4FN484C	352	-4	Lead-Free fpBGA	484	COM	15.3K
LFEC15E-5FN484C	352	-5	Lead-Free fpBGA	484	COM	15.3K
LFEC15E-3FN256C	195	-3	Lead-Free fpBGA	256	COM	15.3K
LFEC15E-4FN256C	195	-4	Lead-Free fpBGA	256	COM	15.3K
LFEC15E-5FN256C	195	-5	Lead-Free fpBGA	256	COM	15.3K

Part Number	I/Os	Grade	Package	Pins/Balls	Temp.	LUTs
LFEC20E-3FN672C	400	-3	Lead-Free fpBGA	672	COM	19.7K
LFEC20E-4FN672C	400	-4	Lead-Free fpBGA	672	COM	19.7K
LFEC20E-5FN672C	400	-5	Lead-Free fpBGA	672	COM	19.7K
LFEC20E-3FN484C	360	-3	Lead-Free fpBGA	484	COM	19.7K
LFEC20E-4FN484C	360	-4	Lead-Free fpBGA	484	COM	19.7K
LFEC20E-5FN484C	360	-5	Lead-Free fpBGA	484	COM	19.7K

Part Number	I/Os	Grade	Package	Pins/Balls	Temp.	LUTs
LFEC33E-3FN672C	496	-3	Lead-Free fpBGA	672	COM	32.8K
LFEC33E-4FN672C	496	-4	Lead-Free fpBGA	672	COM	32.8K
LFEC33E-5FN672C	496	-5	Lead-Free fpBGA	672	COM	32.8K
LFEC33E-3FN484C	360	-3	Lead-Free fpBGA	484	COM	32.8K
LFEC33E-4FN484C	360	-4	Lead-Free fpBGA	484	COM	32.8K
LFEC33E-5FN484C	360	-5	Lead-Free fpBGA	484	COM	32.8K

Date	Version	Section	Change Summary
December 2004	01.4	Architecture	Updated Hot Socketing Recommended Power Up Sequence section.
		Pinout Information	Added LFEC1, LFEC3, LFECP/EC10, LFECP/EC15 to Pin Information
			Added LFEC1, LFEC3, LFECP/EC10, LFECP/EC15 to Power Supply and NC Connections
			Added LFEC1 and LFEC3 100 TQFP Pinout
			Added LFEC1 and LFEC3 144 TQFP Pinout
			Added LFEC1, LFEC3 and LFECP/EC10 208 PQFP Pinout
			Added LFEC3, LFECP/EC10 and LFECP/EC15 256 fpBGA Pinout
		Ordering Information	Added LFECP/EC10 and LFECP/EC15 484 fpBGA Pinout
			Added Lead-Free Package Designators
Supplemental Information	Updated list of technical notes.		
April 2005	01.5	Architecture	EBR memory support section has been updated with clarification.
			Updated sysIO buffer pair section.
		DC & Switching Characteristics	Hot Socketing Specification has been updated.
			DC Electrical Characteristics table (I_{IL} , I_{IH}) has been updated.
			Supply Current (Standby) table has been updated.
			Initialization Supply Current table has been updated.
			External Switching Characteristics section has been updated.
			Removed t_{RSTW} spec. from PLL Parameter table.
			t_{RST} specifications have been updated.
		sysCONFIG Port Timing Specifications (t_{BSC} , t_{ODISS} , t_{PRGMRJ}) have been updated.	
		Pinout Information	Added LFECP/EC33 Pinout Information
			Pin Information Summary table has been updated.
			Power Supply and NC Connection table has been updated.
			484-fpBGA logic connection has been updated (Ball # J6, J17, P6 and P17 for ECP/EC33 are now called VCCPLL).
672-fpBGA logic connection has been updated (Ball # K19, L8, U19, U8 for ECP/EC33 are now called VCCPLL).			
May 2005	01.6	Introduction	ECP/EC33 EBR SRAM Bits and Blocks have been updated to 498K and 54 respectively.
		Architecture	Table 2-10 has been updated (ECP/EC33 EBR SRAM Bits and Blocks have been updated to 498K and 54 respectively.)
			Recommended Power Up Sequence section has been removed.
		DC & Switching Characteristics	Supply Current (Standby) table has been updated.
			Initialization Supply Current table has been updated.
			Vos test condition has been updated to $(VOP+VOM)/2$.
			Register-to-Register performance table has been updated (rev. G 0.27).
			External switching characteristics have been updated (rev. G 0.27).
			Internal timing parameters have been updated (rev. G 0.27).
			Timing adders have been updated (rev. G 0.27).
		sysCONFIG port timing specifications have been updated.	
		Pinout Information	Pin Information Summary table has been updated.
			Power Supply and NC Connection table has been updated.
		Ordering Information	OPN list has been updated.