

Welcome to [E-XFL.COM](https://www.e-xfl.com)

### Understanding [Embedded - CPLDs \(Complex Programmable Logic Devices\)](#)

Embedded - CPLDs, or Complex Programmable Logic Devices, are highly versatile digital logic devices used in electronic systems. These programmable components are designed to perform complex logical operations and can be customized for specific applications. Unlike fixed-function ICs, CPLDs offer the flexibility to reprogram their configuration, making them an ideal choice for various embedded systems. They consist of a set of logic gates and programmable interconnects, allowing designers to implement complex logic circuits without needing custom hardware.

### Applications of Embedded - CPLDs

Details	
Product Status	Active
Programmable Type	In System Programmable (min 100 program/erase cycles)
Delay Time tpd(1) Max	20 ns
Voltage Supply - Internal	4.5V ~ 5.5V
Number of Logic Elements/Blocks	-
Number of Macrocells	32
Number of Gates	-
Number of I/O	32
Operating Temperature	-40°C ~ 85°C (TA)
Mounting Type	Surface Mount
Package / Case	44-LCC (J-Lead)
Supplier Device Package	44-PLCC (16.6x16.6)
Purchase URL	<a href="https://www.e-xfl.com/product-detail/microchip-technology/atf1500al-20ju">https://www.e-xfl.com/product-detail/microchip-technology/atf1500al-20ju</a>

## Features

- High-density, High-performance Electrically-erasable Complex Programmable Logic Device
  - 44-pin, 32 I/O CPLD
  - 7.5 ns Maximum Pin-to-pin Delay
  - Registered Operation Up to 125 MHz
  - Fully Connected Input and Feedback Logic Array
  - Backward Compatibility with ATF1500/L Software and Hardware
- Flexible Logic Macrocell
  - D/T/Latch Configurable Flip-flops
  - Global and Individual Register Control Signals
  - Global and Individual Output Enable
  - Programmable Output Slew Rate
- Advanced Power Management Features
  - Automatic 3 mA Standby (ATF1500AL)
  - Pin-controlled 10 mA Standby Mode
  - Programmable Pin-keeper Inputs and I/Os
- Available in Commercial and Industrial Temperature Ranges
- Available in 44-lead PLCC and TQFP Packages
- Advanced Flash Technology
  - 100% Tested
  - Completely Reprogrammable
  - 100 Program/Erase Cycles
  - 20 Year Data Retention
  - 2000V ESD Protection
  - 200 mA Latch-up Immunity
- Supported by Popular third-arty Tools
- Security Fuse Feature
- Pin-compatible with the Most Commonly Used Devices
- Green (Pb/Halide-free/RoHS Compliant) Package Options

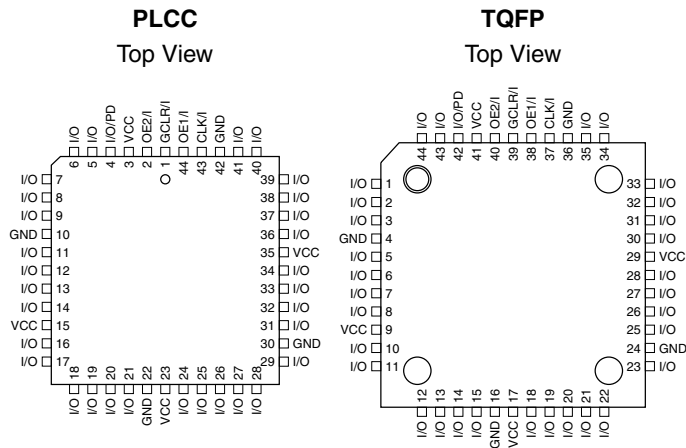
## Description

The ATF1500A is a high-performance, high-density complex PLD. Built on an advanced Flash technology, it has maximum pin-to-pin delays of 7.5 ns and supports sequential logic operation at speeds up to 125 MHz. With 32 logic macrocells and up to 36 inputs, it easily integrates logic from several TTL, SSI, MSI and classic PLDs. The ATF1500A's global input and feedback architecture simplifies logic placement and eliminates pinout changes due to design changes.

## Pin Configurations

(continued)

Pin Name	Function
CLK	Clock
I	Logic Inputs
I/O	Bi-directional Buffers
GCLR	Register Reset (active low)
OE1, OE2	Output Enable (active low)
VCC	+5V Supply
PD	Power-down (active high)

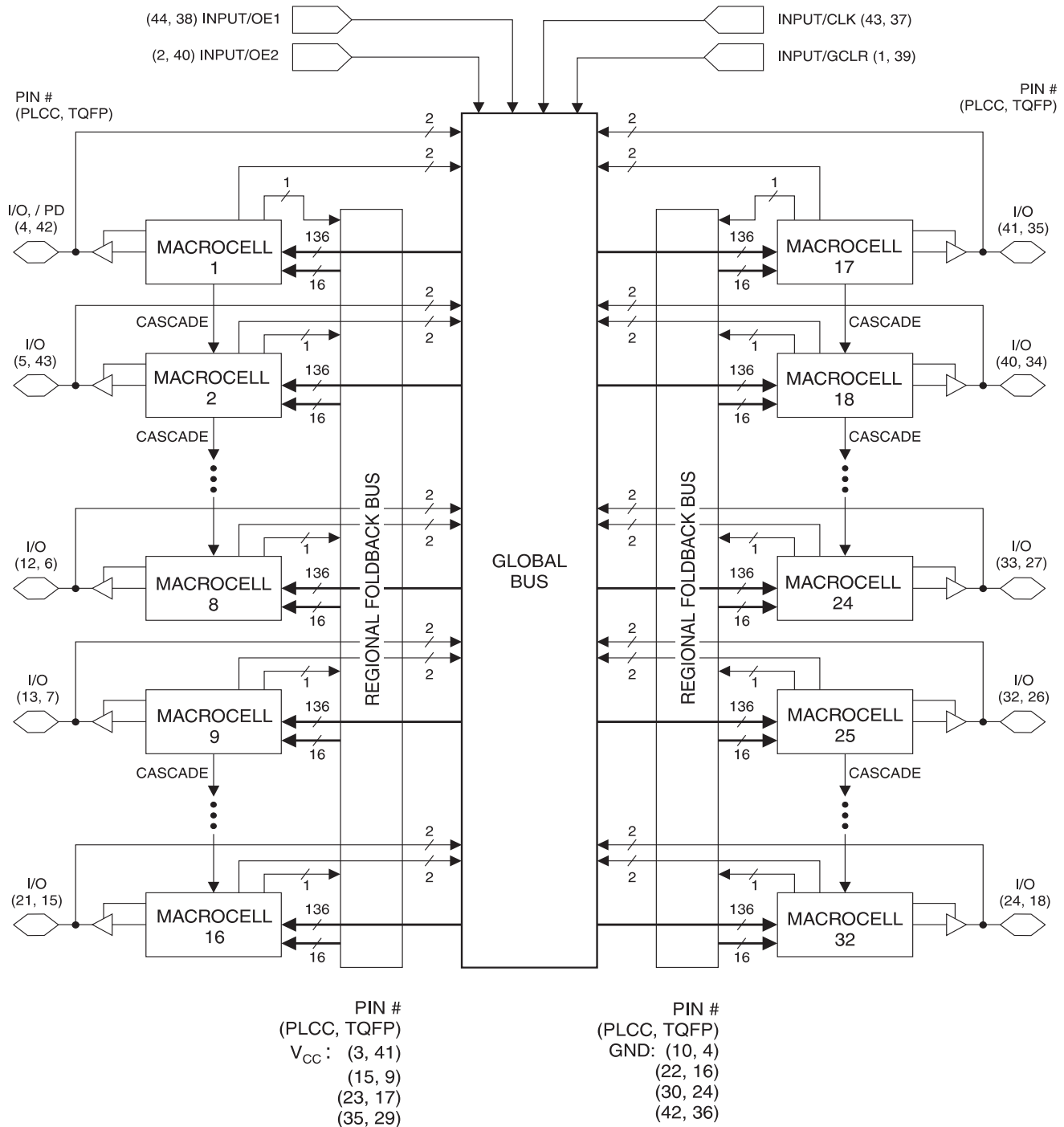


High-performance EPLD

ATF1500A  
ATF1500AL



# Functional Logic Diagram<sup>(1)</sup>



Note: 1. Arrows connecting macrocells indicate direction and groupings of CASIN/CASOUT data flow.

The ATF1500A has 32 bi-directional I/O pins and four dedicated input pins. Each dedicated input pin can also serve as a global control signal: register clock, register reset or output enable. Each of these control signals can be selected for use individually within each macrocell.

Each of the 32 logic macrocells generates a buried feedback, which goes to the global bus. Each input and I/O pin also feeds into the global bus. Because of this global busing, each of these signals is always available to all 32 macrocells in the device.

Each macrocell also generates a foldback logic term, which goes to a regional bus. All signals within a regional bus are connected to all 16 macrocells within the region.

Cascade logic between macrocells in the ATF1500A allows fast, efficient generation of complex logic functions. The ATF1500A contains four such logic chains, each capable of creating sum term logic with a fan-in of up to 40 product terms.

## Bus-friendly Pin-keeper Input and I/O's

All Input and I/O pins on the ATF1500A have programmable "pin-keeper" circuits. If activated, when any pin is driven high or low and then subsequently left floating, it will stay at that previous high or low level.

This circuitry prevents unused Input and I/O lines from floating to intermediate voltage levels, which causes unnecessary power consumption and system noise. The keeper circuits eliminate the need for external pull-up resistors and eliminate their DC power consumption.

Pin-keeper circuits can be disabled. Programming is controlled in the logic design file. Once the pin-keeper circuits are disabled, normal termination procedures are required for unused inputs and I/Os.

## Speed/Power Management

The ATF1500A has several built-in speed and power management features. The ATF1500A contains circuitry that automatically puts the device into a low-power standby mode when no logic transitions are occurring. This not only reduces power consumption during inactive periods, but also provides proportional power savings for most applications running at system speeds below 10 MHz.

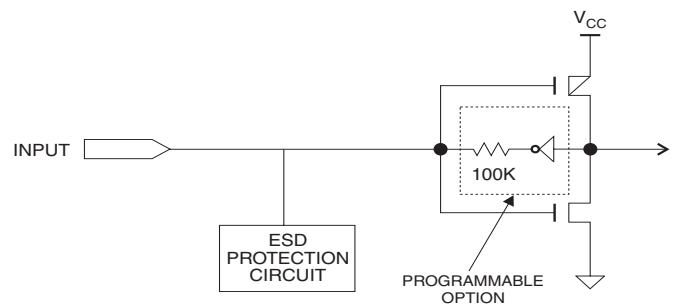
All ATF1500As also have an optional pin-controlled power-down mode. In this mode, current drops to below 10 mA. When the power-down option is selected, the PD pin is used to power-down the part. The power-down option is selected in the design source file. When enabled, the device goes into power-down when the PD pin is high. In the power-down mode, all internal logic signals are latched and held, as are any enabled outputs. All pin transitions are ignored until the PD is brought low. When the power-down feature is enabled, the PD cannot be used as a logic input or output. However, the PD pin's macrocell may still be used to generate buried foldback and cascade logic signals.

Each output also has individual slew rate control. This may be used to reduce system noise by slowing down outputs that do not need to operate at maximum speed. Outputs default to slow switching, and may be specified as fast switching in the design file.

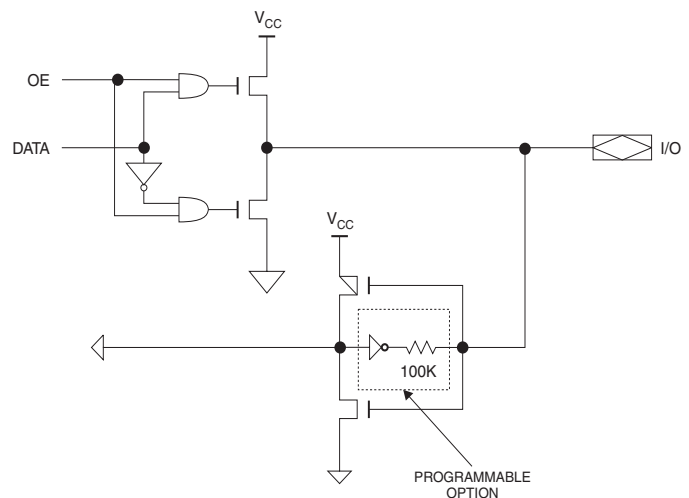
## Design Software Support

ATF1500A designs are supported by several third-party tools. Automated fitters allow logic synthesis using a variety of high-level description languages and formats.

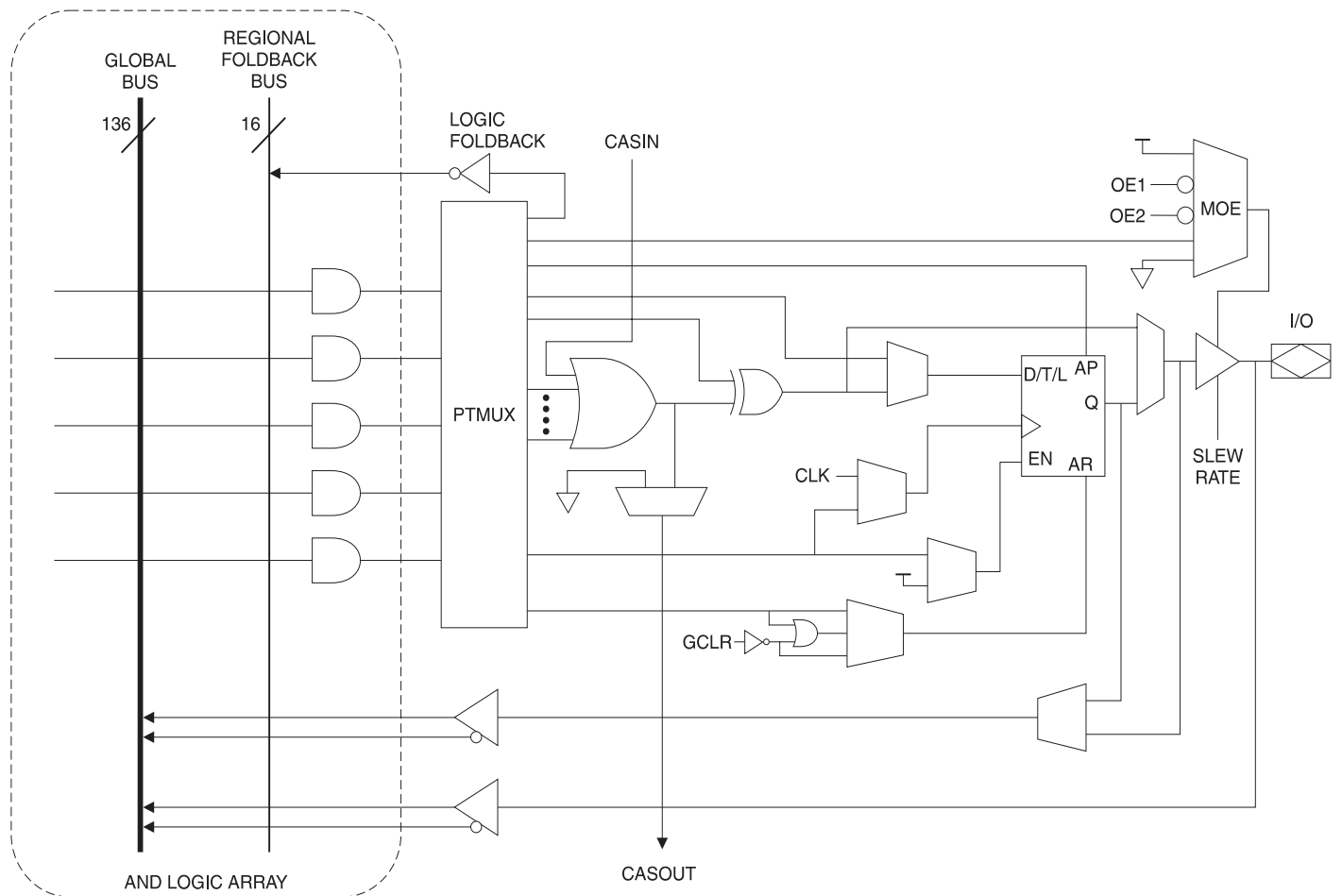
## Input Diagram



## I/O Diagram



## ATF1500A(L) Macrocell



### ATF1500A Macrocell

The ATF1500A macrocell is flexible enough to support highly-complex logic functions operating at high speed. The macrocell consists of five sections: product terms and product term select multiplexer, OR/XOR/CASCADE logic, a flip-flop, output select and enable, and logic array inputs.

#### Product Terms and Select Mux

Each ATF1500A macrocell has five product terms. Each product term receives as its inputs all signals from both the global bus and regional bus.

The product term select multiplexer (PTMUX) allocates the five product terms as needed to the macrocell logic gates and control signals. The PTMUX programming is determined by the design compiler that selects the optimum macrocell configuration.

#### OR/XOR/CASCADE Logic

The ATF1500A macrocell's OR/XOR/CASCADE logic structure is designed to efficiently support all types of logic. Within a single macrocell, all the product terms can be

routed to the OR gate, creating a five input AND/OR sum term. With the addition of the CASIN from neighboring macrocells, this can be expanded to as many as 40 product terms with little small additional delay.

The macrocell's XOR gate allows efficient implementation of compare and arithmetic functions. One input to the XOR comes from the OR sum term. The other XOR input can be a product term or a fixed high or low level. For combinatorial outputs, the fixed level input allows output polarity selection. For registered functions, the fixed levels allow De Morgan minimization of the product terms. The XOR gate is also used to emulate T-type flip-flops.

#### Flip-flop

The ATF1500A's flip-flop has very flexible data and control functions. The data input can come from either the XOR gate or from a separate product term. Selecting the separate product term allows creation of a buried registered feedback within a combinatorial output macrocell.

In addition to D, T, JK and SR operation, the flip-flop can also be configured as a flow-through latch. In this mode, data passes through when the clock is high and is latched when the clock is low.

The clock itself can be either the global CLK pin or an individual product term. The flip-flop changes state on the clock's rising edge. When the CLK pin is used as the clock, one of the macrocell product terms can be selected as a clock enable. When the clock enable function is active and the enable signal (product term) is low, all clock edges are ignored.

The flip-flop's asynchronous reset signal (AR) can be either the pin global clear (GCLR), a product term, or always off. AR can also be a logic OR of GCLR with a product term. The asynchronous preset (AP) can be a product term or always off.

## Output Select and Enable

The ATF1500A macrocell output can be selected as registered or combinatorial. When the output is registered, the same registered signal is fed back internally to the global bus. When the output is combinatorial, the buried feedback can be either the same combinatorial signal or it can be the register output if the separate product term is chosen as the flip-flop input.

The output enable multiplexer (MOE) controls the output enable signals. Any buffer can be permanently enabled for simple output operation. Buffers can also be permanently disabled to allow use of the pin as an input. In this configuration all the macrocell resources are still available, including the buried feedback, expander and CASCADE logic.

The output enable for each macrocell can also be selected as either of the two OE pins or as an individual product term.

## Global/Regional Busses

The global bus contains all Input and I/O pin signals as well as the buried feedback signal from all 32 macrocells. Together with the complement of each signal, this provides a 68-bit bus as input to every product term. Having the entire global bus available to each macrocell eliminates any potential routing problems. With this architecture designs can be modified without requiring pinout changes.

Each macrocell also generates a foldback product term. This signal goes to the regional bus, and is available to 16 macrocells. The foldback is an inverse polarity of one of the macrocell's product terms. The 16 foldback terms in each region allow generation of high fan-in sum terms (up to 21 product terms) with little additional delay.



## Absolute Maximum Ratings\*

Temperature Under Bias.....	-40°C to +85°C
Storage Temperature.....	-65°C to +150°C
Voltage on Any Pin with Respect to Ground.....	-2.0V to +7.0V <sup>(1)</sup>
Voltage on Input Pins with Respect to Ground During Programming.....	-2.0V to +14.0V <sup>(1)</sup>
Programming Voltage with Respect to Ground.....	-2.0V to +14.0V <sup>(1)</sup>

\*NOTICE: Stresses beyond those listed under “Absolute Maximum Ratings” may cause permanent damage to the device. This is a stress rating only and functional operation of the device at these or any other conditions beyond those indicated in the operational sections of this specification is not implied. Exposure to absolute maximum rating conditions for extended periods may affect device reliability.

Note: 1. Minimum voltage is -0.6V DC, which may undershoot to -2.0V for pulses of less than 20 ns. Maximum output pin voltage is  $V_{CC} + 0.75V$  DC, which may overshoot to 5.25V for pulses of less than 20 ns.

## DC and AC Operating Conditions

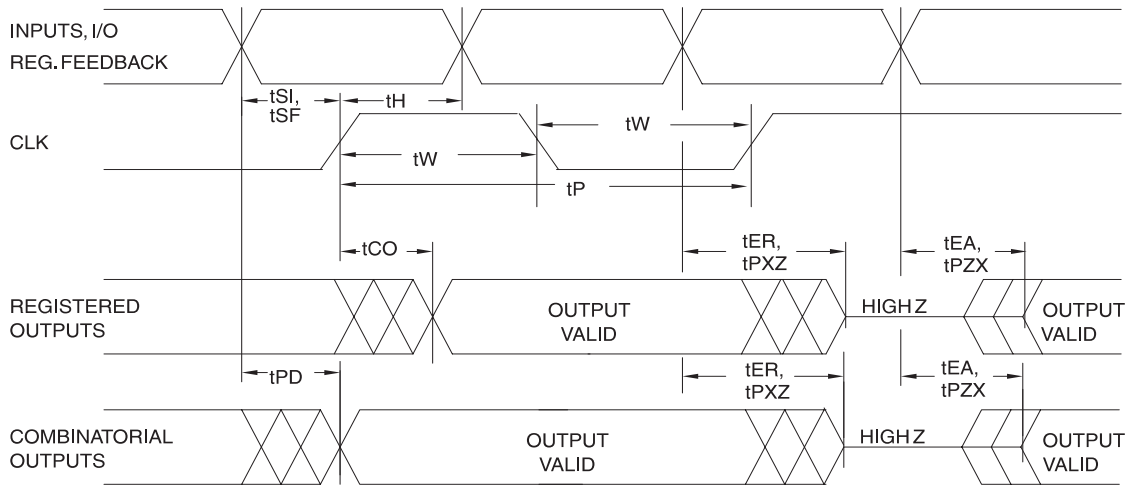
	Commercial	Industrial
Operating Temperature (ambient)	0°C - 70°C	-40°C - 85°C
$V_{CC}$ Power Supply	5V ± 5%	5V ± 10%

## DC Characteristics

Symbol	Parameter	Condition	Min	Typ	Max	Units		
$I_{IL}$	Input or I/O Low Leakage Current	$0 \leq V_{IN} \leq V_{IL} \text{ (Max)}$			-10	$\mu A$		
$I_{IH}$	Input or I/O High Leakage Current	$V_{IH, \text{ Min}} \leq V_{IN} \leq V_{CC}$			10	$\mu A$		
$I_{CC1}^{(1)}$	Power Supply Current, Standby	$V_{CC} = \text{Max},$ $V_{IN} = 0, V_{CC}$	ATF1500A	Com.	70		mA	
				Ind.	100		mA	
			ATF1500AL	Com.		3		mA
				Ind.			5	
$I_{CC2}$	Power Supply Current, Pin-Controlled Power Down Mode	$V_{CC} = \text{Max},$ $V_{IN} = 0, V_{CC}$		2	10	mA		
$I_{OS}$	Output Short Circuit Current	$V_{OUT} = 0.5V$			-130	mA		
$V_{IL}$	Input Low Voltage	$V_{CC, \text{ Min}} < V_{CC}$ $< V_{CC, \text{ Max}}$	-0.5		0.8	V		
$V_{IH}$	Input High Voltage		2.0		$V_{CC} + 1$	V		
$V_{OL}$	Output Low Voltage	$V_{CC} = \text{Min}$			0.45	V		
$V_{OH}$	Output High Voltage	$V_{CC} = \text{Min}$				V		
			$I_{OH} = -4 \text{ mA}$	2.4		V		
			$I_{OH} = -0.2 \text{ mA}$	$V_{CC} - 0.2$		V		

Note: 1. All  $I_{CC}$  parameters measured with outputs open, and a 16-bit loadable, up/down counter programmed into each region.

## AC Waveforms



## Register AC Characteristics, Input Pin Clock

Symbol	Parameter	-7		-10		-12		-15		-20		-25		Units
		Min	Max	Min	Max	Min	Max	Min	Max	Min	Max	Min	Max	
$t_{COS}^{(1)}$	Clock to Output		4.5	2	5	2	6	2	8	2	9	2	9	ns
$t_{CFS}$	Clock to Feedback		2		2		2		2		2		2	ns
$t_{SIS}$	I, I/O Setup Time		6		8		10		11		14		16	ns
$t_{SFS}$	Feedback Setup Time		6		8		10		11		12		13	ns
$t_{HS}$	Input, I/O, Feedback Hold Time	0		0		0		0		0		0		ns
$t_{PS}$	Clock Period	6		8		9		10		11		12		ns
$t_{WS}$	Clock Width	3		4		4.5		5		5.5		6		ns
$f_{MAXS}$	External Feedback $1/(t_{SIS} + t_{COS})$		95		76.9		62.5		52.6		43		40	MHz
	Internal Feedback $1/(t_{SFS} + t_{CFS})$		125		100		83.3		76.9		71		66	MHz
	No Feedback $1/(t_{PS})$		166.7		125		111		100		91		83	MHz
$t_{RPRS}$	Reset Pin Recovery Time	2		3		3		4		5		5		ns
$t_{RTRS}$	Reset Term Recovery Time	6		9		10		12		13		14		ns

Note: 1. For slow slew outputs, add  $t_{SSO}$ .



## Register AC Characteristics, Product Term Clock

Symbol	Parameter	-7		-10		-12		-15		-20		-25		Units
		Min	Max	Min	Max	Min	Max	Min	Max	Min	Max	Min	Max	
$t_{COA}^{(1)}$	Clock to Output		7.5		10		12		15		18		20	ns
$t_{CFA}$	Clock to Feedback		5		7		7		9		12		15	ns
$t_{SIA}$	I, I/O Setup Time	3		3		4		4		8		10		ns
$t_{SFA}$	Feedback Setup Time	3		3		4		4		12		15		ns
$t_{HA}$	Input, I/O, Feedback Hold Time	2		3		4		4		5		5		ns
$t_{PA}$	Clock Period	6		8		10		12		24		30		ns
$t_{WA}$	Clock Width	3		4		5		6		12		15		ns
$f_{MAXA}$	External Feedback $1/(t_{SIA} + t_{COA})$		95.2		76.9		62.5		52.6		38		33.3	MHz
	Internal Feedback $1/(t_{SFA} + t_{CFA})$		125		100		90.9		76.9		41.7		33.3	MHz
	No Feedback $1/(t_{PA})$		166.7		125		100		83.3		41.7		33.3	MHz
$t_{RPRA}$	Reset Pin Recovery Time	0		0		0		0		0	0			ns
$t_{RTRA}$	Reset Term Recovery Time	4		5		6		6		7	8			ns

Note: 1. For slow slew outputs, add  $t_{SSO}$ .

## AC Characteristics

Symbol	Parameter	-7		-10		-12		-15		-20		-25		Units
		Min	Max	Min	Max	Min	Max	Min	Max	Min	Max	Min	Max	
$t_{PD}^{(1)}$	I, I/O or FB to Non-Registered Output	2	7.5	3	10	3	12	3	15	3	20	3	25	ns
$t_{PD2}$	I, I/O to Feedback		5		7		8		9		12		14	ns
$t_{PD3}^{(1)}$	Feedback to Non-Registered Output	2	7.5	3	10	3	12	3	15	3	20	3	25	ns
$t_{PD4}$	Feedback to Feedback		5		7		8		9		12		14	ns
$t_{EA}^{(1)}$	OE Term to Output Enable	2	7.5	3	10	3	12	3	15	3	20	3	25	ns
$t_{ER}$	OE Term to Output Disable	2	7.5	2	10	2	12	2	15	2	20	2	25	ns
$t_{PZX}^{(1)}$	OE Pin to Output Enable	2	5.5	2	7	2	8	2	9	2	10	2	11	ns
$t_{PXZ}$	OE Pin to Output Disable	1.5	5.5	1.5	7	1.5	8	1.5	9	1.5	10	1.5	11	ns
$t_{PF}$	Preset to Feedback		6		9		9		12		18		20	ns
$t_{PO}^{(1)}$	Preset to Registered Output		8.5		12		14		20		23		25	ns
$t_{RPF}$	Reset Pin to Feedback		3		4		3		5		5.5		6	ns
$t_{RPO}^{(1)}$	Reset Pin to Registered Output		5.5		7		8		11		13		15	ns
$t_{RTF}$	Reset Term to Feedback		6		9		9		12		15		20	ns
$t_{RTO}^{(1)}$	Reset Term to Registered Output		8.5		12		14		20		23		25	ns
$t_{CAS}$	Cascade Logic Delay		0.8		0.8		1		1		1.5		1.5	ns
$t_{SSO}$	Slow Slew Output Adder		3		3		3		4		4		4	ns
$t_{FLD}$	Foldback Term Delay		4		5		7		8		10		12	ns

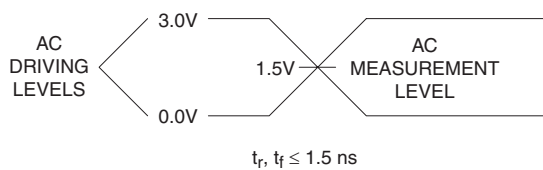
Note: 1. For slow slew outputs, add  $t_{SSO}$ .

## Power Down AC Characteristics

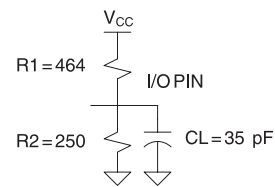
Symbol	Parameter	-7		-10		-12		-15		-20		-25		Units
		Min	Max	Min	Max	Min	Max	Min	Max	Min	Max	Min	Max	
$t_{IVDH}$	Valid I, I/O Before PD High	7		10		12		15		20		25		ns
$t_{GVDH}$	Valid OE <sup>(2)</sup> Before PD High	7		10		12		15		20		25		ns
$t_{CVDH}$	Valid Clock <sup>(2)</sup> Before PD High	7		10		12		15		20		25		ns
$t_{DHIX}$	Input Don't Care After PD High		15		20		22		25		30		35	ns
$t_{DHGX}$	$\overline{OE}$ Don't Care After PD High		15		20		22		25		30		35	ns
$t_{DHCX}$	Clock Don't Care After PD High		15		20		22		25		30		35	ns
$t_{DLIV}$	PD Low to Valid I, I/O		1		1		1		1		1		1	$\mu$ s
$t_{DLGV}$	PD Low to Valid OE <sup>(2)</sup>		1		1		1		1		1		1	$\mu$ s
$t_{DLCV}$	PD Low to Valid Clock <sup>(2)</sup>		1		1		1		1		1		1	$\mu$ s
$t_{DLOV}^{(1)}$	PD Low to Valid Output		1		1		1		1		1		1	$\mu$ s

Notes: 1. For slow slew outputs, add  $t_{SSO}$ .  
2. Pin or Product Term.

## Input Test Waveforms and Measurement Levels



## Output Test Load



## Pin Capacitance

$f = 1 \text{ MHz}$ ,  $T = 25^\circ\text{C}^{(1)}$

	Typ	Max	Units	Conditions
$C_{IN}$	4.5	5.5	pF	$V_{IN} = 0V$
$C_{OUT}$	3.5	4.5	pF	$V_{OUT} = 0V$

Note: 1. Typical values for nominal supply voltage. This parameter is only sampled and is not 100% tested.

## Power-up Reset

The ATF1500A's registers are designed to reset during power-up. At a point delayed slightly from  $V_{CC}$  crossing  $V_{RST}$ , all registers will be reset to the low state. As a result, the registered output state will always be low on power-up.

This feature is critical for state machine initialization. However, due to the asynchronous nature of reset and the uncertainty of how  $V_{CC}$  actually rises in the system, the following conditions are required:

1. The  $V_{CC}$  rise must be monotonic, from below 0.7 volt,
2. After reset occurs, all input and feedback setup times must be met before driving the clock signal high, and
3. Signals from which clocks are derived must remain stable during  $t_{PR}$ .

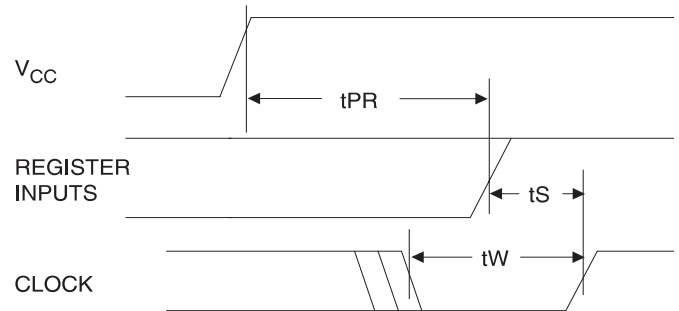
## Power-down Mode

The ATF1500A includes an optional pin-controlled power-down feature. When this mode is enabled, the PD pin acts as the power down pin. When the PD pin is high, the device supply current is reduced to less than 10 mA. During power-down, all output data and internal logic states are latched and held. Therefore, all registered and combinatorial output data remain valid. Any outputs that were in a high-Z state at the onset of power-down will remain at high-Z. During power-down, all input signals except the power-down pin are blocked. Input and I/O hold latches remain active to ensure that pins do not float to indeterminate levels, further reducing system power. The power-down pin feature is enabled in the logic design file. Designs using the power-down pin may not use the PD pin logic array input. However, all other PD pin macrocell resources may still be used, including the buried feedback and fold-back product term array inputs.

## Register Preload

The ATF1500A's registers are provided with circuitry to allow loading of each register with either a high or a low. This feature will simplify testing since any state can be forced into the registers to control test sequencing. A JEDEC file with preload is generated when a source file with preload vectors is compiled. Once downloaded, the JEDEC file preload sequence will be done automatically

when vectors are run by any approved programmers. The preload mode is enabled by raising an input pin to a high voltage level. Contact Atmel PLD Applications for PRE-LOAD pin assignments, timing and voltage requirements.



Parameter	Description	Typ	Max	Units
$t_{PR}$	Power-up Reset Time	2	10	$\mu s$
$V_{RST}$	Power-up Reset Voltage	3.8	4.5	V

## Output Slew Rate Control

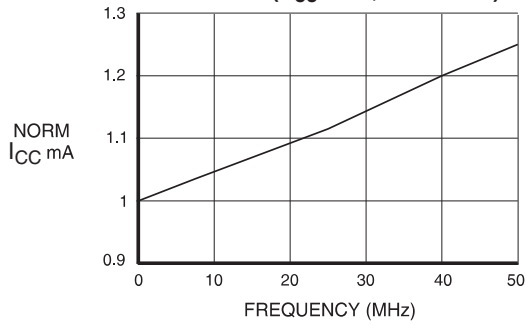
Each ATF1500A macrocell contains a configuration bit for each I/O to control its output slew rate. This allows selected data paths to operate at maximum throughput while reducing system noise from outputs that are not speed-critical. Outputs default to slow edges, and may be individually set to fast in the design file. Output transition times for outputs configured as "slow" have a  $t_{SSO}$  delay adder.

## Security Fuse Usage

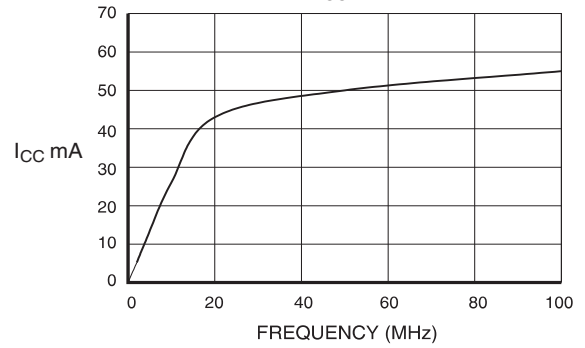
A single fuse is provided to prevent unauthorized copying of the ATF1500A fuse patterns. Once programmed, fuse verify and preload are prohibited. However, the 160-bit User Signature remains accessible.

The security fuse should be programmed last, as its effect is immediate.

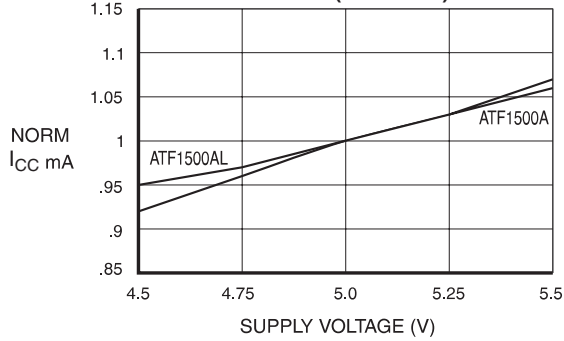
**NORMALIZED SUPPLY CURRENT vs. INPUT FREQUENCY**  
ATF1500A ( $V_{CC} = 5V$ ,  $T_A = 25^\circ C$ )



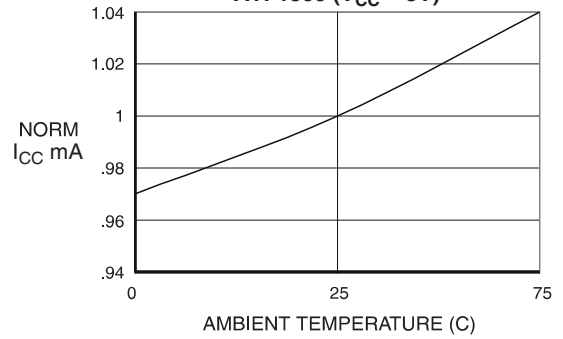
**SUPPLY CURRENT vs. FREQUENCY**  
ATF1500AL ( $V_{CC} = 5V$ ,  $T_A = 25^\circ C$ )



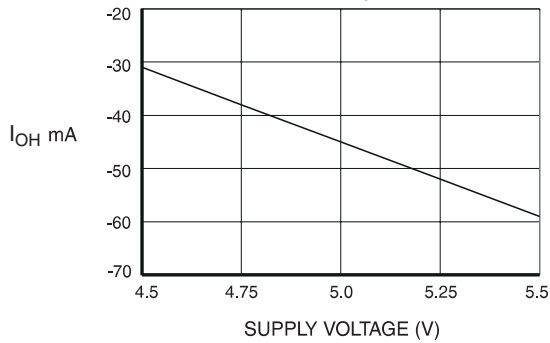
**NORMALIZED SUPPLY CURRENT vs. SUPPLY VOLTAGE**  
ATF1500 ( $T_A = 25^\circ C$ )



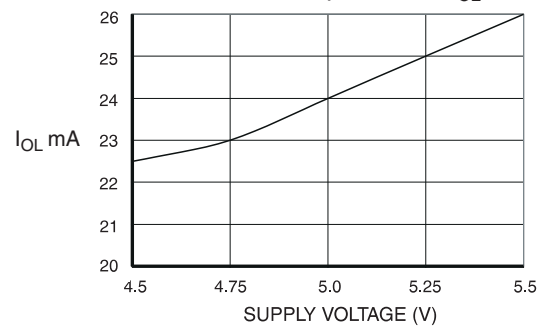
**NORMALIZED SUPPLY CURRENT vs. AMBIENT TEMPERATURE**  
ATF1500 ( $V_{CC} = 5V$ )



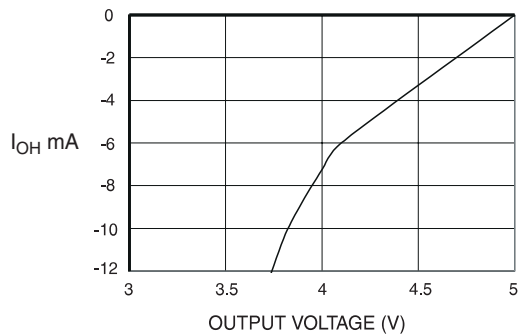
**OUTPUT SOURCE CURRENT vs. SUPPLY VOLTAGE ( $V_{OH} = 2.4V$ ,  $T_A = 25^\circ C$ )**



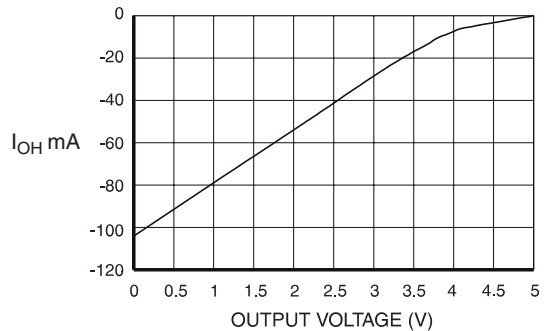
**OUTPUT SINK CURRENT vs. SUPPLY VOLTAGE ( $T_A = 25^\circ C$ ,  $V_{OL} = 0.45V$ )**



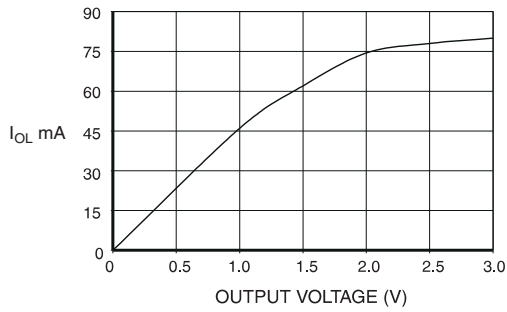
**OUTPUT SOURCE CURRENT vs. OUTPUT VOLTAGE ( $V_{OH} = 2.4V$ ,  $T_A = 25^\circ C$ )**



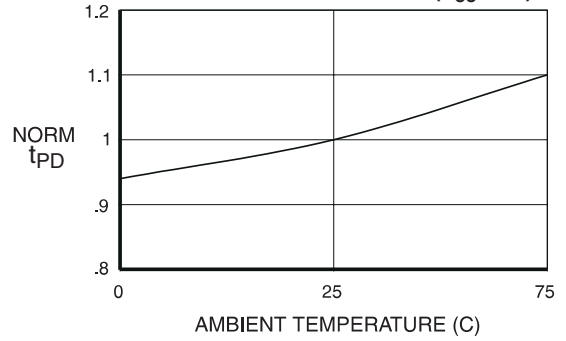
**OUTPUT SOURCE CURRENT vs. OUTPUT VOLTAGE ( $V_{CC} = 5V$ ,  $T_A = 25^\circ C$ )**



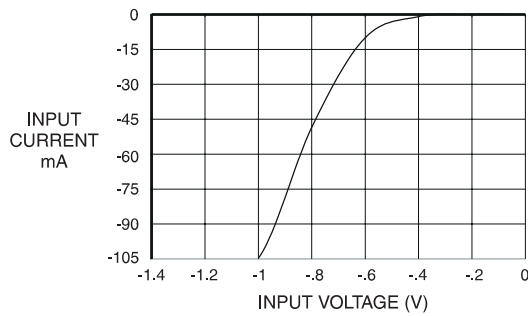
**OUTPUT SINK CURRENT vs. OUTPUT VOLTAGE ( $V_{CC} = 5V$ ,  $T_A = 25^\circ C$ )**



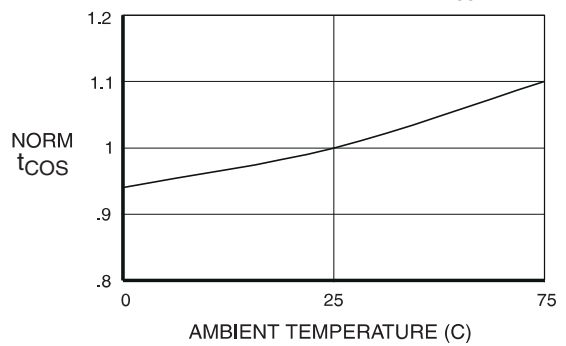
**NORMALIZED  $t_{PD}$  vs. AMBIENT TEMPERATURE ( $V_{CC} = 5V$ )**



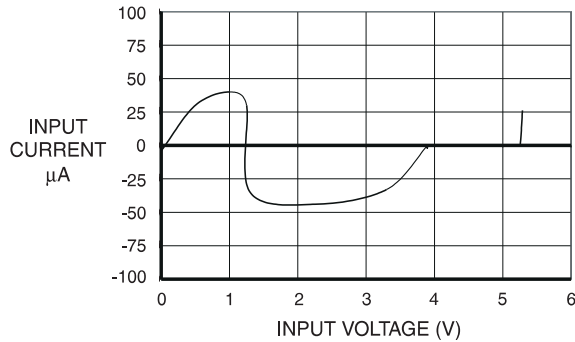
**INPUT CLAMP CURRENT vs. INPUT VOLTAGE**



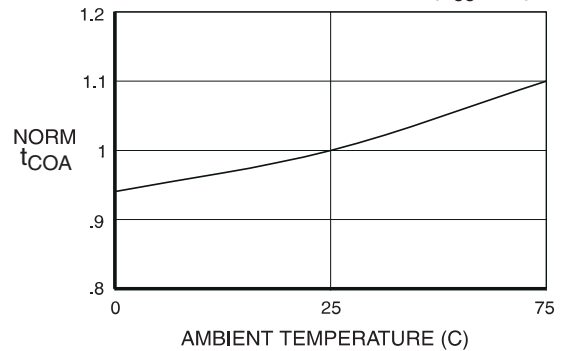
**NORMALIZED  $t_{COS}$  vs. AMBIENT TEMPERATURE ( $V_{CC} = 5V$ )**



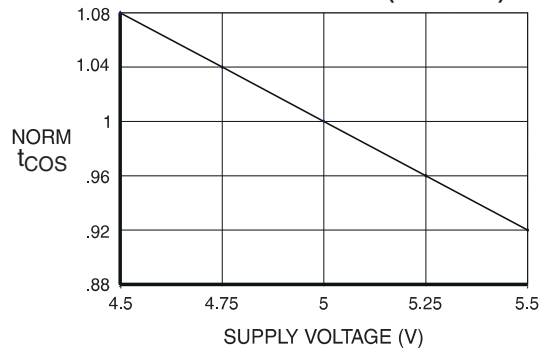
**INPUT CURRENT vs. INPUT VOLTAGE ( $V_{CC} = 5V$ ,  $T_A = 25^\circ C$ )**

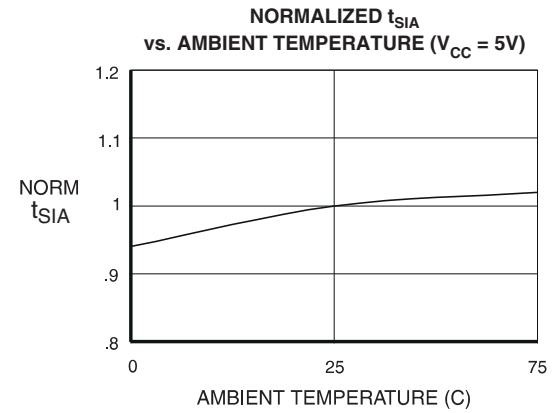
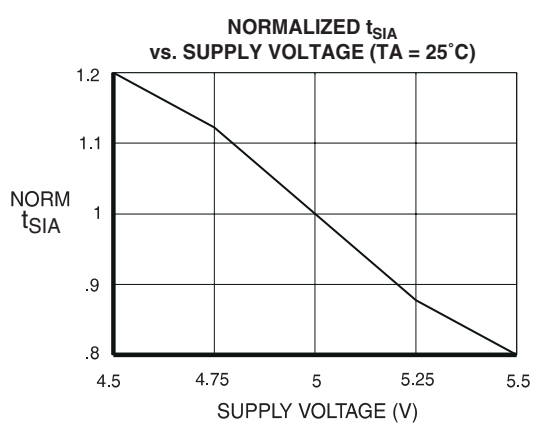
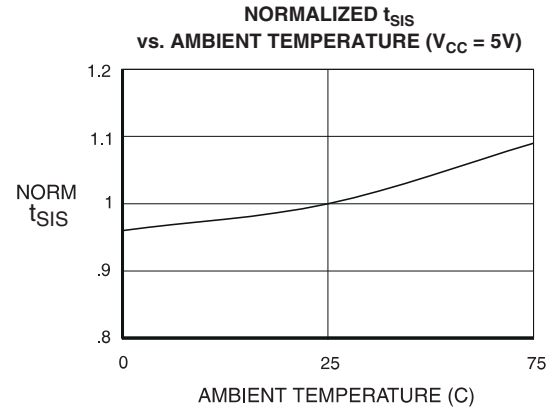
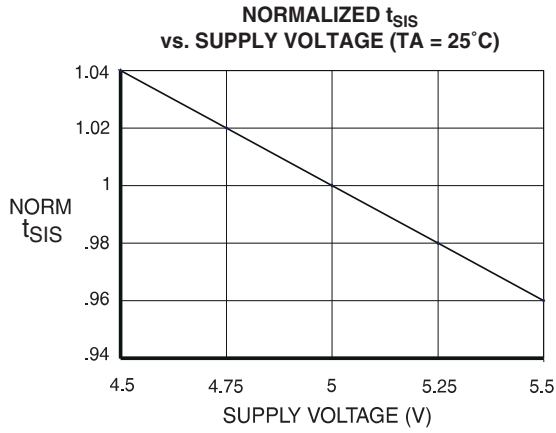


**NORMALIZED  $t_{COA}$  vs. AMBIENT TEMPERATURE ( $V_{CC} = 5V$ )**



**NORMALIZED  $t_{COS}$  vs. SUPPLY VOLTAGE ( $T_A = 25^\circ C$ )**





## Ordering Information

### Standard Package Options

$t_{PD}$ (ns)	$t_{COS}$ (ns)	$f_{MAX}$ (MHz)	Ordering Code	Package	Operation Range
7.5	4.5	95	ATF1500A-7AC	44A	Commercial (0°C to 70°C)
			ATF1500A-7JC	44J	
10	5	76.9	ATF1500A-10AC	44A	Commercial (0°C to 70°C)
			ATF1500A-10JC	44J	
			ATF1500A-10AI	44A	Industrial (-40°C to 85°C)
			ATF1500A-10JI	44J	
12	6	62.5	ATF1500A-12AC	44A	Commercial (0°C to 70°C)
			ATF1500A-12JC	44J	
			ATF1500A-12AI	44A	Industrial (-40°C to 85°C)
			ATF1500A-12JI	44J	
15	8	52.6	ATF1500A-15AC	44A	Commercial (0°C to 70°C)
			ATF1500A-15JC	44J	
			ATF1500A-15AI	44A	Industrial (-40°C to 85°C)
			ATF1500A-15JI	44J	
20	9	40	ATF1500AL-20AC	44A	Commercial (0°C to 70°C)
			ATF1500AL-20JC	44J	
			ATF1500AL-20AI	44A	Industrial (-40°C to 85°C)
			ATF1500AL-20JI	44J	

- Note:
1. The last time buy date is Sept. 30, 2005 for shaded parts. The replacements for fast-speed grade is the ATF1502AS (pin compatible). For others, suggested replacements are available in Green packages.
  2. The ATF1500AL-25AC, -25AI, -25JC and -25JI were obsoleted in August 1999. The replacement was the ATF1500AL-20.

### Using “C” Product for Industrial

To use commercial product for Industrial temperature ranges, down-grade one speed grade from the “I” to the “C” device (7 ns “C” = 10 ns “I”) and de-rate power by 30%.

### Green Package Options (Pb/Halide-free/RoHS Compliant)

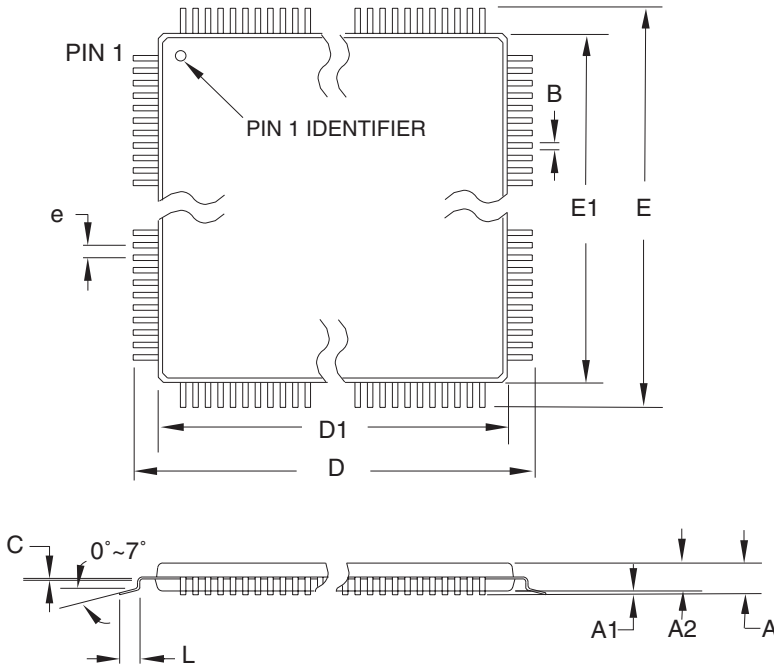
$t_{PD}$ (ns)	$t_{COS}$ (ns)	$f_{MAX}$ (MHz)	Ordering Code	Package	Operation Range
10	5	76.9	ATF1500A-10AU	44A	Industrial (-40°C to 85°C)
			ATF1500A-10JU	44J	
20	9	40	ATF1500AL-20AU	44A	Industrial (-40°C to 85°C)
			ATF1500AL-20JU	44J	

Package Type	
<b>44A</b>	44-lead, Thin Plastic Gull Wing Quad Flatpack (TQFP)
<b>44J</b>	44-lead, Plastic J-leaded Chip Carrier (PLCC)



# Packaging Information

## 44A – TQFP



**COMMON DIMENSIONS**  
(Unit of Measure = mm)

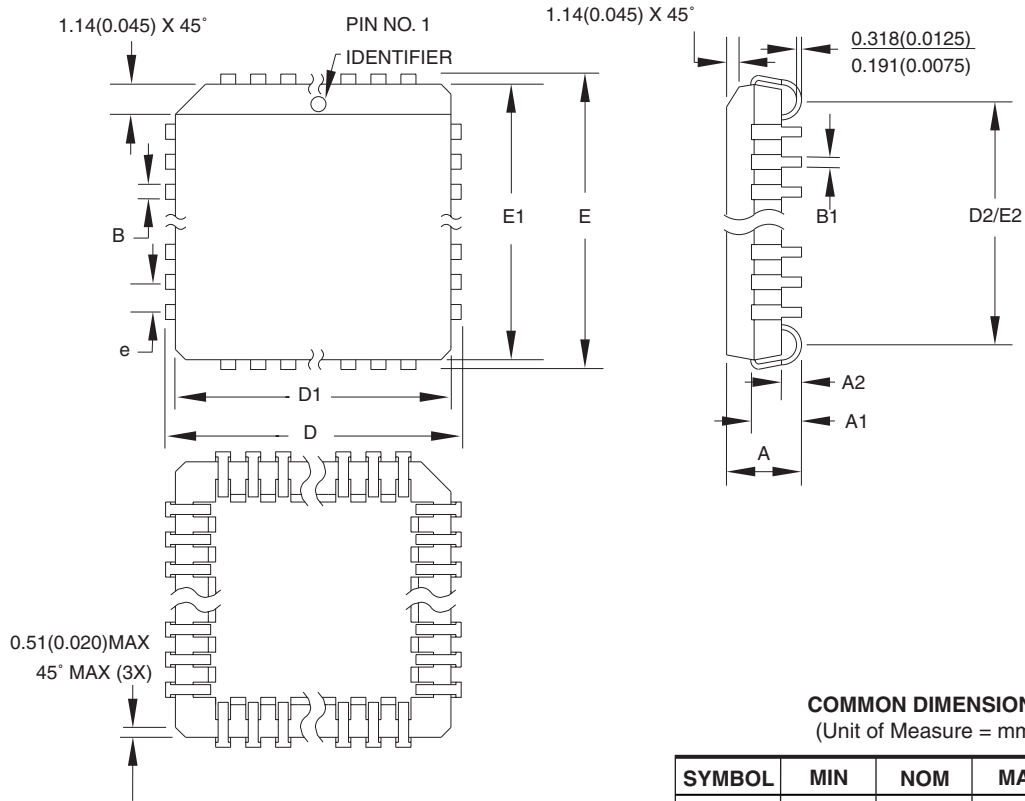
SYMBOL	MIN	NOM	MAX	NOTE
A	–	–	1.20	
A1	0.05	–	0.15	
A2	0.95	1.00	1.05	
D	11.75	12.00	12.25	
D1	9.90	10.00	10.10	Note 2
E	11.75	12.00	12.25	
E1	9.90	10.00	10.10	Note 2
B	0.30	–	0.45	
C	0.09	–	0.20	
L	0.45	–	0.75	
e	0.80 TYP			

- Notes:
1. This package conforms to JEDEC reference MS-026, Variation ACB.
  2. Dimensions D1 and E1 do not include mold protrusion. Allowable protrusion is 0.25 mm per side. Dimensions D1 and E1 are maximum plastic body size dimensions including mold mismatch.
  3. Lead coplanarity is 0.10 mm maximum.

10/5/2001

2325 Orchard Parkway San Jose, CA 95131	<b>TITLE</b>	<b>DRAWING NO.</b>	<b>REV.</b>
	<b>44A</b> , 44-lead, 10 x 10 mm Body Size, 1.0 mm Body Thickness, 0.8 mm Lead Pitch, Thin Profile Plastic Quad Flat Package (TQFP)	44A	B

## 44J – PLCC



**COMMON DIMENSIONS**  
(Unit of Measure = mm)

SYMBOL	MIN	NOM	MAX	NOTE
A	4.191	–	4.572	
A1	2.286	–	3.048	
A2	0.508	–	–	
D	17.399	–	17.653	
D1	16.510	–	16.662	Note 2
E	17.399	–	17.653	
E1	16.510	–	16.662	Note 2
D2/E2	14.986	–	16.002	
B	0.660	–	0.813	
B1	0.330	–	0.533	
e	1.270 TYP			

- Notes:
1. This package conforms to JEDEC reference MS-018, Variation AC.
  2. Dimensions D1 and E1 do not include mold protrusion. Allowable protrusion is .010"(0.254 mm) per side. Dimension D1 and E1 include mold mismatch and are measured at the extreme material condition at the upper or lower parting line.
  3. Lead coplanarity is 0.004" (0.102 mm) maximum.

10/04/01



2325 Orchard Parkway  
San Jose, CA 95131

**TITLE**

**44J, 44-lead, Plastic J-leaded Chip Carrier (PLCC)**

**DRAWING NO.**

44J

**REV.**

B





## Revision History

Revision	Comments
0759F	Green package options added.



## Atmel Corporation

2325 Orchard Parkway  
San Jose, CA 95131, USA  
Tel: 1(408) 441-0311  
Fax: 1(408) 487-2600

## Regional Headquarters

### Europe

Atmel Sarl  
Route des Arsenalux 41  
Case Postale 80  
CH-1705 Fribourg  
Switzerland  
Tel: (41) 26-426-5555  
Fax: (41) 26-426-5500

### Asia

Room 1219  
Chinachem Golden Plaza  
77 Mody Road Tsimshatsui  
East Kowloon  
Hong Kong  
Tel: (852) 2721-9778  
Fax: (852) 2722-1369

### Japan

9F, Tonetsu Shinkawa Bldg.  
1-24-8 Shinkawa  
Chuo-ku, Tokyo 104-0033  
Japan  
Tel: (81) 3-3523-3551  
Fax: (81) 3-3523-7581

## Atmel Operations

### Memory

2325 Orchard Parkway  
San Jose, CA 95131, USA  
Tel: 1(408) 441-0311  
Fax: 1(408) 436-4314

### Microcontrollers

2325 Orchard Parkway  
San Jose, CA 95131, USA  
Tel: 1(408) 441-0311  
Fax: 1(408) 436-4314

La Chantrerie  
BP 70602  
44306 Nantes Cedex 3, France  
Tel: (33) 2-40-18-18-18  
Fax: (33) 2-40-18-19-60

### ASIC/ASSP/Smart Cards

Zone Industrielle  
13106 Rousset Cedex, France  
Tel: (33) 4-42-53-60-00  
Fax: (33) 4-42-53-60-01

1150 East Cheyenne Mtn. Blvd.  
Colorado Springs, CO 80906, USA  
Tel: 1(719) 576-3300  
Fax: 1(719) 540-1759

Scottish Enterprise Technology Park  
Maxwell Building  
East Kilbride G75 0QR, Scotland  
Tel: (44) 1355-803-000  
Fax: (44) 1355-242-743

### RF/Automotive

Theresienstrasse 2  
Postfach 3535  
74025 Heilbronn, Germany  
Tel: (49) 71-31-67-0  
Fax: (49) 71-31-67-2340

1150 East Cheyenne Mtn. Blvd.  
Colorado Springs, CO 80906, USA  
Tel: 1(719) 576-3300  
Fax: 1(719) 540-1759

### Biometrics/Imaging/Hi-Rel MPU/ High Speed Converters/RF Datacom

Avenue de Rochepleine  
BP 123  
38521 Saint-Egreve Cedex, France  
Tel: (33) 4-76-58-30-00  
Fax: (33) 4-76-58-34-80

---

## Literature Requests

[www.atmel.com/literature](http://www.atmel.com/literature)

**Disclaimer:** The information in this document is provided in connection with Atmel products. No license, express or implied, by estoppel or otherwise, to any intellectual property right is granted by this document or in connection with the sale of Atmel products. **EXCEPT AS SET FORTH IN ATMEL'S TERMS AND CONDITIONS OF SALE LOCATED ON ATMEL'S WEB SITE, ATMEL ASSUMES NO LIABILITY WHATSOEVER AND DISCLAIMS ANY EXPRESS, IMPLIED OR STATUTORY WARRANTY RELATING TO ITS PRODUCTS INCLUDING, BUT NOT LIMITED TO, THE IMPLIED WARRANTY OF MERCHANTABILITY, FITNESS FOR A PARTICULAR PURPOSE, OR NON-INFRINGEMENT. IN NO EVENT SHALL ATMEL BE LIABLE FOR ANY DIRECT, INDIRECT, CONSEQUENTIAL, PUNITIVE, SPECIAL OR INCIDENTAL DAMAGES (INCLUDING, WITHOUT LIMITATION, DAMAGES FOR LOSS OF PROFITS, BUSINESS INTERRUPTION, OR LOSS OF INFORMATION) ARISING OUT OF THE USE OR INABILITY TO USE THIS DOCUMENT, EVEN IF ATMEL HAS BEEN ADVISED OF THE POSSIBILITY OF SUCH DAMAGES.** Atmel makes no representations or warranties with respect to the accuracy or completeness of the contents of this document and reserves the right to make changes to specifications and product descriptions at any time without notice. Atmel does not make any commitment to update the information contained herein. Unless specifically provided otherwise, Atmel products are not suitable for, and shall not be used in, automotive applications. Atmel's products are not intended, authorized, or warranted for use as components in applications intended to support or sustain life.

© Atmel Corporation 2005. All rights reserved. Atmel<sup>®</sup>, logo and combinations thereof, Everywhere You Are<sup>®</sup> and others, are registered trademarks or trademarks of Atmel Corporation or its subsidiaries. Other terms and product names may be trademarks of others.



Printed on recycled paper.

0759F-6/05/xM