

Welcome to [E-XFL.COM](https://www.e-xfl.com)

Understanding **Embedded - FPGAs (Field Programmable Gate Array)**

Embedded - FPGAs, or Field Programmable Gate Arrays, are advanced integrated circuits that offer unparalleled flexibility and performance for digital systems. Unlike traditional fixed-function logic devices, FPGAs can be programmed and reprogrammed to execute a wide array of logical operations, enabling customized functionality tailored to specific applications. This reprogrammability allows developers to iterate designs quickly and implement complex functions without the need for custom hardware.

Applications of Embedded - FPGAs

The versatility of Embedded - FPGAs makes them indispensable in numerous fields. In telecommunications,

Details

Product Status	Active
Number of LABs/CLBs	2880
Number of Logic Elements/Cells	-
Total RAM Bits	-
Number of I/O	174
Number of Gates	48000
Voltage - Supply	2.25V ~ 5.25V
Mounting Type	Surface Mount
Operating Temperature	0°C ~ 70°C (TA)
Package / Case	208-BFQFP
Supplier Device Package	208-PQFP (28x28)
Purchase URL	https://www.e-xfl.com/product-detail/microchip-technology/a54sx32a-pqg208

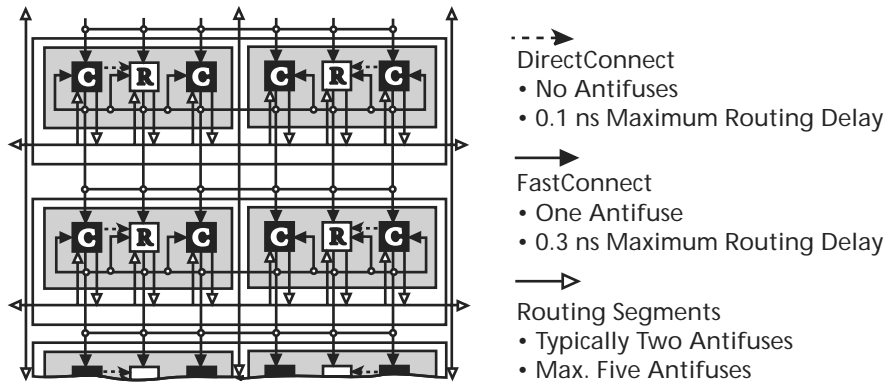


Figure 1-5 • DirectConnect and FastConnect for Type 1 SuperClusters

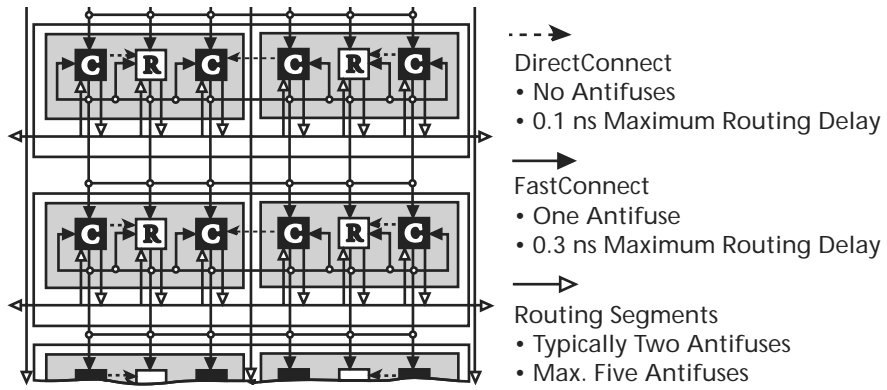


Figure 1-6 • DirectConnect and FastConnect for Type 2 SuperClusters

Related Documents

Application Notes

Global Clock Networks in Actel's Antifuse Devices

http://www.actel.com/documents/GlobalClk_AN.pdf

Using A54SX72A and RT54SX72S Quadrant Clocks

http://www.actel.com/documents/QCLK_AN.pdf

Implementation of Security in Actel Antifuse FPGAs

http://www.actel.com/documents/Antifuse_Security_AN.pdf

Actel eX, SX-A, and RTSX-S I/Os

http://www.actel.com/documents/AntifuseIO_AN.pdf

Actel SX-A and RT54SX-S Devices in Hot-Swap and Cold-Sparing Applications

http://www.actel.com/documents/HotSwapColdSparing_AN.pdf

Programming Antifuse Devices

http://www.actel.com/documents/AntifuseProgram_AN.pdf

Datasheets

HiRel SX-A Family FPGAs

http://www.actel.com/documents/HRSXA_DS.pdf

SX-A Automotive Family FPGAs

http://www.actel.com/documents/SXA_Auto_DS.pdf

User's Guides

Silicon Sculptor User's Guide

http://www.actel.com/documents/SiliSculptII_Sculpt3_ug.pdf

Table 2-18 • A54SX08A Timing Characteristics
(Worst-Case Commercial Conditions $V_{CCA} = 2.25\text{ V}$, $V_{CCI} = 2.3\text{ V}$, $T_j = 70^\circ\text{C}$)

Parameter	Description	-2 Speed		-1 Speed		Std. Speed			-F Speed	Units
		Min.	Max.	Min.	Max.	Min.	Max.	Min.	Max.	
2.5 V LVCMOS Output Module Timing ^{1,2}										
t_{DLH}	Data-to-Pad Low to High		3.9		4.4		5.2		7.2	ns
t_{DHL}	Data-to-Pad High to Low		3.0		3.4		3.9		5.5	ns
t_{DHLS}	Data-to-Pad High to Low—low slew		13.3		15.1		17.7		24.8	ns
t_{ENZL}	Enable-to-Pad, Z to L		2.8		3.2		3.7		5.2	ns
t_{ENZLS}	Data-to-Pad, Z to L—low slew		13.7		15.5		18.2		25.5	ns
t_{ENZH}	Enable-to-Pad, Z to H		3.9		4.4		5.2		7.2	ns
t_{ENLZ}	Enable-to-Pad, L to Z		2.5		2.8		3.3		4.7	ns
t_{ENHZ}	Enable-to-Pad, H to Z		3.0		3.4		3.9		5.5	ns
d_{TLH}^3	Delta Low to High		0.037		0.043		0.051		0.071	ns/pF
d_{THL}^3	Delta High to Low		0.017		0.023		0.023		0.037	ns/pF
d_{THLS}^3	Delta High to Low—low slew		0.06		0.071		0.086		0.117	ns/pF

Note:

- Delays based on 35 pF loading.
- The equivalent I/O Attribute Editor settings for 2.5 V LVCMOS is 2.5 V LVTTTL in the software.
- To obtain the slew rate, substitute the appropriate Delta value, load capacitance, and the V_{CCI} value into the following equation:

$$\text{Slew Rate [V/ns]} = (0.1 * V_{CCI} - 0.9 * V_{CCI}) / (C_{load} * d_{T[LH|HL|HLS]})$$
 where C_{load} is the load capacitance driven by the I/O in pF
 $d_{T[LH|HL|HLS]}$ is the worst case delta value from the datasheet in ns/pF.

Table 2-22 • A54SX16A Timing Characteristics
 (Worst-Case Commercial Conditions $V_{CCA} = 2.25\text{ V}$, $V_{CCI} = 2.25\text{ V}$, $T = 70^\circ\text{C}$)

Parameter	Description	-3 Speed*		-2 Speed		-1 Speed		Std. Speed		-F Speed		Units
		Min.	Max.	Min.	Max.	Min.	Max.	Min.	Max.	Min.	Max.	
Dedicated (Hardwired) Array Clock Networks												
t_{HCKH}	Input Low to High (Pad to R-cell Input)		1.2		1.4		1.6		1.8		2.8	ns
t_{HCKL}	Input High to Low (Pad to R-cell Input)		1.0		1.1		1.2		1.5		2.2	ns
t_{HPWH}	Minimum Pulse Width High	1.4		1.7		1.9		2.2		3.0		ns
t_{HPWL}	Minimum Pulse Width Low	1.4		1.7		1.9		2.2		3.0		ns
t_{HCKSW}	Maximum Skew		0.3		0.3		0.4		0.4		0.7	ns
t_{HP}	Minimum Period	2.8		3.4		3.8		4.4		6.0		ns
f_{HMAX}	Maximum Frequency		357		294		263		227		167	MHz
Routed Array Clock Networks												
t_{RCKH}	Input Low to High (Light Load) (Pad to R-cell Input)		1.0		1.2		1.3		1.6		2.2	ns
t_{RCKL}	Input High to Low (Light Load) (Pad to R-cell Input)		1.1		1.3		1.5		1.7		2.4	ns
t_{RCKH}	Input Low to High (50% Load) (Pad to R-cell Input)		1.1		1.3		1.5		1.7		2.4	ns
t_{RCKL}	Input High to Low (50% Load) (Pad to R-cell Input)		1.1		1.3		1.5		1.7		2.4	ns
t_{RCKH}	Input Low to High (100% Load) (Pad to R-cell Input)		1.3		1.5		1.7		2.0		2.8	ns
t_{RCKL}	Input High to Low (100% Load) (Pad to R-cell Input)		1.3		1.5		1.7		2.0		2.8	ns
t_{RPWH}	Minimum Pulse Width High	1.4		1.7		1.9		2.2		3.0		ns
t_{RPWL}	Minimum Pulse Width Low	1.4		1.7		1.9		2.2		3.0		ns
t_{RCKSW}	Maximum Skew (Light Load)		0.8		0.9		1.0		1.2		1.7	ns
t_{RCKSW}	Maximum Skew (50% Load)		0.8		0.9		1.0		1.2		1.7	ns
t_{RCKSW}	Maximum Skew (100% Load)		1.0		1.1		1.3		1.5		2.1	ns

Note: *All -3 speed grades have been discontinued.

Table 2-26 • A54SX16A Timing Characteristics
(Worst-Case Commercial Conditions $V_{CCA} = 2.25\text{ V}$, $V_{CCI} = 3.0\text{ V}$, $T_J = 70^\circ\text{C}$)

Parameter	Description	-3 Speed ¹		-2 Speed		-1 Speed		Std. Speed		+F Speed		Units
		Min.	Max.	Min.	Max.	Min.	Max.	Min.	Max.	Min.	Max.	
3.3 V PCI Output Module Timing ²												
t_{DLH}	Data-to-Pad Low to High		2.0		2.3		2.6		3.1		4.3	ns
t_{DHL}	Data-to-Pad High to Low		2.2		2.5		2.8		3.3		4.6	ns
t_{ENZL}	Enable-to-Pad, Z to L		1.4		1.7		1.9		2.2		3.1	ns
t_{ENZH}	Enable-to-Pad, Z to H		2.0		2.3		2.6		3.1		4.3	ns
t_{ENLZ}	Enable-to-Pad, L to Z		2.5		2.8		3.2		3.8		5.3	ns
t_{ENHZ}	Enable-to-Pad, H to Z		2.2		2.5		2.8		3.3		4.6	ns
d_{TLH}^3	Delta Low to High		0.025		0.03		0.03		0.04		0.045	ns/pF
d_{THL}^3	Delta High to Low		0.015		0.015		0.015		0.015		0.025	ns/pF
3.3 V LVTTTL Output Module Timing ⁴												
t_{DLH}	Data-to-Pad Low to High		2.8		3.2		3.6		4.3		6.0	ns
t_{DHL}	Data-to-Pad High to Low		2.7		3.1		3.5		4.1		5.7	ns
t_{DHLS}	Data-to-Pad High to Low—low slew		9.5		10.9		12.4		14.6		20.4	ns
t_{ENZL}	Enable-to-Pad, Z to L		2.2		2.6		2.9		3.4		4.8	ns
t_{ENZLS}	Enable-to-Pad, Z to L—low slew		15.8		18.9		21.3		25.4		34.9	ns
t_{ENZH}	Enable-to-Pad, Z to H		2.8		3.2		3.6		4.3		6.0	ns
t_{ENLZ}	Enable-to-Pad, L to Z		2.9		3.3		3.7		4.4		6.2	ns
t_{ENHZ}	Enable-to-Pad, H to Z		2.7		3.1		3.5		4.1		5.7	ns
d_{TLH}^3	Delta Low to High		0.025		0.03		0.03		0.04		0.045	ns/pF
d_{THL}^3	Delta High to Low		0.015		0.015		0.015		0.015		0.025	ns/pF
d_{THLS}^3	Delta High to Low—low slew		0.053		0.053		0.067		0.073		0.107	ns/pF

Notes:

1. All -3 speed grades have been discontinued.
2. Delays based on 10 pF loading and 25 Ω resistance.
3. To obtain the slew rate, substitute the appropriate Delta value, load capacitance, and the V_{CCI} value into the following equation:

$$\text{Slew Rate [V/ns]} = (0.1 * V_{CCI} - 0.9 * V_{CCI}) / (C_{load} * d_{T[HLH|HLS]})$$
 where C_{load} is the load capacitance driven by the I/O in pF.
 $d_{T[HLH|HLS]}$ is the worst case delta value from the datasheet in ns/pF.
4. Delays based on 35 pF loading.

Table 2-28 • A54SX32A Timing Characteristics
 (Worst-Case Commercial Conditions, $V_{CCA} = 2.25\text{ V}$, $V_{CCI} = 3.0\text{ V}$, $T = 70^\circ\text{C}$)

Parameter	Description	-3 Speed ¹		-2 Speed		-1 Speed		Std. Speed		-F Speed		Units
		Min.	Max.	Min.	Max.	Min.	Max.	Min.	Max.	Min.	Max.	
C-Cell Propagation Delays ²												
t_{PD}	Internal Array Module		0.8		0.9		1.1		1.2		1.7	ns
Predicted Routing Delays ³												
t_{DC}	FO = 1 Routing Delay, Direct Connect		0.1		0.1		0.1		0.1		0.1	ns
t_{FC}	FO = 1 Routing Delay, Fast Connect		0.3		0.3		0.3		0.4		0.6	ns
t_{RD1}	FO = 1 Routing Delay		0.3		0.3		0.4		0.5		0.6	ns
t_{RD2}	FO = 2 Routing Delay		0.4		0.5		0.5		0.6		0.8	ns
t_{RD3}	FO = 3 Routing Delay		0.5		0.6		0.7		0.8		1.1	ns
t_{RD4}	FO = 4 Routing Delay		0.7		0.8		0.9		1.0		1.4	ns
t_{RD8}	FO = 8 Routing Delay		1.2		1.4		1.5		1.8		2.5	ns
t_{RD12}	FO = 12 Routing Delay		1.7		2.0		2.2		2.6		3.6	ns
R-Cell Timing												
t_{RCO}	Sequential Clock-to-Q		0.6		0.7		0.8		0.9		1.3	ns

Table 2-31 • A54SX32A Timing Characteristics
(Worst-Case Commercial Conditions $V_{CCA} = 2.25\text{ V}$, $V_{CCI} = 4.75\text{ V}$, $T = 70^\circ\text{C}$)

Parameter	Description	-3 Speed*		-2 Speed		-1 Speed		Std. Speed		-F Speed		Units
		Min.	Max.	Min.	Max.	Min.	Max.	Min.	Max.	Min.	Max.	
Dedicated (Hardwired) Array Clock Networks												
t_{HCKH}	Input Low to High (Pad to R-cell Input)		1.7		1.9		2.2		2.6		4.0	ns
t_{HCKL}	Input High to Low (Pad to R-cell Input)		1.7		2.0		2.2		2.6		4.0	ns
t_{HPWH}	Minimum Pulse Width High	1.4		1.6		1.8		2.1		2.9		ns
t_{HPWL}	Minimum Pulse Width Low	1.4		1.6		1.8		2.1		2.9		ns
t_{HCKSW}	Maximum Skew		0.6		0.6		0.7		0.8		1.3	ns
t_{HP}	Minimum Period	2.8		3.2		3.6		4.2		5.8		ns
f_{HMAX}	Maximum Frequency		357		313		278		238		172	MHz
Routed Array Clock Networks												
t_{RCKH}	Input Low to High (Light Load) (Pad to R-cell Input)		2.2		2.5		2.8		3.3		4.7	ns
t_{RCKL}	Input High to Low (Light Load) (Pad to R-cell Input)		2.1		2.5		2.8		3.3		4.5	ns
t_{RCKH}	Input Low to High (50% Load) (Pad to R-cell Input)		2.4		2.7		3.1		3.6		5.1	ns
t_{RCKL}	Input High to Low (50% Load) (Pad to R-cell Input)		2.2		2.6		2.9		3.4		4.7	ns
t_{RCKH}	Input Low to High (100% Load) (Pad to R-cell Input)		2.5		2.8		3.2		3.8		5.3	ns
t_{RCKL}	Input High to Low (100% Load) (Pad to R-cell Input)		2.4		2.8		3.1		3.7		5.2	ns
t_{RPWH}	Minimum Pulse Width High	1.4		1.6		1.8		2.1		2.9		ns
t_{RPWL}	Minimum Pulse Width Low	1.4		1.6		1.8		2.1		2.9		ns
t_{RCKSW}	Maximum Skew (Light Load)		1.0		1.1		1.3		1.5		2.1	ns
t_{RCKSW}	Maximum Skew (50% Load)		1.0		1.1		1.3		1.5		2.1	ns
t_{RCKSW}	Maximum Skew (100% Load)		1.0		1.1		1.3		1.5		2.1	ns

Note: *All -3 speed grades have been discontinued.

Table 2-34 • A54SX32A Timing Characteristics
 (Worst-Case Commercial Conditions $V_{CCA} = 2.25\text{ V}$, $V_{CCI} = 4.75\text{ V}$, $T = 70^\circ\text{C}$)

Parameter	Description	-3 Speed ¹		-2 Speed		-1 Speed		Std. Speed		+F Speed	Units	
		Min.	Max.	Min.	Max.	Min.	Max.	Min.	Max.	Max.		
5 V PCI Output Module Timing ²												
t_{DLH}	Data-to-Pad Low to High		2.1		2.4		2.8		3.2		4.5	ns
t_{DHL}	Data-to-Pad High to Low		2.8		3.2		3.6		4.2		5.9	ns
t_{ENZL}	Enable-to-Pad, Z to L		1.3		1.5		1.7		2.0		2.8	ns
t_{ENZH}	Enable-to-Pad, Z to H		2.1		2.4		2.8		3.2		4.5	ns
t_{ENLZ}	Enable-to-Pad, L to Z		3.0		3.5		3.9		4.6		6.4	ns
t_{ENHZ}	Enable-to-Pad, H to Z		2.8		3.2		3.6		4.2		5.9	ns
d_{TLH}^3	Delta Low to High		0.016		0.016		0.02		0.022		0.032	ns/pF
d_{THL}^3	Delta High to Low		0.026		0.03		0.032		0.04		0.052	ns/pF
5 V TTL Output Module Timing ⁴												
t_{DLH}	Data-to-Pad Low to High		1.9		2.2		2.5		2.9		4.1	ns
t_{DHL}	Data-to-Pad High to Low		2.5		2.9		3.3		3.9		5.4	ns
t_{DHLs}	Data-to-Pad High to Low—low slew		6.6		7.6		8.6		10.1		14.2	ns
t_{ENZL}	Enable-to-Pad, Z to L		2.1		2.4		2.7		3.2		4.5	ns
t_{ENZLS}	Enable-to-Pad, Z to L—low slew		7.4		8.4		9.5		11.0		15.4	ns
t_{ENZH}	Enable-to-Pad, Z to H		1.9		2.2		2.5		2.9		4.1	ns
t_{ENLZ}	Enable-to-Pad, L to Z		3.6		4.2		4.7		5.6		7.8	ns
t_{ENHZ}	Enable-to-Pad, H to Z		2.5		2.9		3.3		3.9		5.4	ns
d_{TLH}^3	Delta Low to High		0.014		0.017		0.017		0.023		0.031	ns/pF
d_{THL}^3	Delta High to Low		0.023		0.029		0.031		0.037		0.051	ns/pF
d_{THLS}^3	Delta High to Low—low slew		0.043		0.046		0.057		0.066		0.089	ns/pF

Notes:

1. All -3 speed grades have been discontinued.
2. Delays based on 50 pF loading.
3. To obtain the slew rate, substitute the appropriate Delta value, load capacitance, and the V_{CCI} value into the following equation:

$$\text{Slew Rate [V/ns]} = (0.1 * V_{CCI} - 0.9 * V_{CCI}) / (C_{load} * d_{T[LH|HL|HLS]})$$
 where C_{load} is the load capacitance driven by the I/O in pF.
 $d_{T[LH|HL|HLS]}$ is the worst case delta value from the datasheet in ns/pF.
4. Delays based on 35 pF loading.

Table 2-35 • A54SX72A Timing Characteristics
 (Worst-Case Commercial Conditions, $V_{CCA} = 2.25\text{ V}$, $V_{CCI} = 3.0\text{ V}$, $T = 70^\circ\text{C}$)

Parameter	Description	-3 Speed ¹		-2 Speed		-1 Speed		Std. Speed		-F Speed		Units
		Min.	Max.	Min.	Max.	Min.	Max.	Min.	Max.	Min.	Max.	
C-Cell Propagation Delays ²												
t_{PD}	Internal Array Module		1.0		1.1		1.3		1.5		2.0	ns
Predicted Routing Delays ³												
t_{DC}	FO = 1 Routing Delay, Direct Connect		0.1		0.1		0.1		0.1		0.1	ns
t_{FC}	FO = 1 Routing Delay, Fast Connect		0.3		0.3		0.3		0.4		0.6	ns
t_{RD1}	FO = 1 Routing Delay		0.3		0.3		0.4		0.5		0.7	ns
t_{RD2}	FO = 2 Routing Delay		0.4		0.5		0.6		0.7		1	ns
t_{RD3}	FO = 3 Routing Delay		0.5		0.7		0.8		0.9		1.3	ns
t_{RD4}	FO = 4 Routing Delay		0.7		0.9		1		1.1		1.5	ns
t_{RD8}	FO = 8 Routing Delay		1.2		1.5		1.7		2.1		2.9	ns
t_{RD12}	FO = 12 Routing Delay		1.7		2.2		2.5		3		4.2	ns
R-Cell Timing												
t_{RCO}	Sequential Clock-to-Q		0.7		0.8		0.9		1.1		1.5	ns
t_{CLR}	Asynchronous Clear-to-Q		0.6		0.7		0.7		0.9		1.2	ns
t_{PRESET}												

256-Pin FBGA

Figure 3-7 • 256-Pin FBGA (Top View)

Note

For Package Manufacturing and Environmental information, visit Resource center at <http://www.actel.com/products/rescenter/package/index.html> .

256-Pin FBGA			
Pin Number	A54SX16A Function	A54SX32A Function	A54SX72A Function
K5	I/O	I/O	I/O
K6	V _{CCI}	V _{CCI}	V _{CCI}
K7	GND	GND	GND
K8	GND	GND	GND
K9	GND	GND	GND
K10	GND	GND	GND
K11	V _{CCI}	V _{CCI}	V _{CCI}
K12	I/O	I/O	I/O
K13	I/O	I/O	I/O
K14	I/O	I/O	I/O
K15	NC	I/O	I/O
K16	I/O	I/O	I/O
L1	I/O	I/O	I/O
L2	I/O	I/O	I/O
L3	I/O	I/O	I/O
L4	I/O	I/O	I/O
L5	I/O	I/O	I/O
L6	I/O	I/O	I/O
L7	V _{CCI}	V _{CCI}	V _{CCI}
L8	V _{CCI}	V _{CCI}	V _{CCI}
L9	V _{CCI}	V _{CCI}	V _{CCI}
L10	V _{CCI}	V _{CCI}	V _{CCI}
L11	I/O	I/O	I/O
L12	I/O	I/O	I/O
L13	I/O	I/O	I/O
L14	I/O	I/O	I/O
L15	I/O	I/O	I/O
L16	NC	I/O	I/O
M1	I/O	I/O	I/O
M2	I/O	I/O	I/O
M3	I/O	I/O	I/O
M4	I/O	I/O	I/O
M5	I/O	I/O	I/O
M6	I/O	I/O	I/O
M7	I/O	I/O	QCLKA
M8	PRB, I/O	PRB, I/O	PRB, I/O
M9	I/O	I/O	I/O

256-Pin FBGA			
Pin Number	A54SX16A Function	A54SX32A Function	A54SX72A Function
M10	I/O	I/O	I/O
M11	I/O	I/O	I/O
M12	NC	I/O	I/O
M13	I/O	I/O	I/O
M14	NC	I/O	I/O
M15	I/O	I/O	I/O
M16	I/O	I/O	I/O
N1	I/O	I/O	I/O
N2	I/O	I/O	I/O
N3	I/O	I/O	I/O
N4	I/O	I/O	I/O
N5	I/O	I/O	I/O
N6	I/O	I/O	I/O
N7	I/O	I/O	I/O
N8	I/O	I/O	I/O
N9	I/O	I/O	I/O
N10	I/O	I/O	I/O
N11	I/O	I/O	I/O
N12	I/O	I/O	I/O
N13	I/O	I/O	I/O
N14	I/O	I/O	I/O
N15	I/O	I/O	I/O
N16	I/O	I/O	I/O
P1	I/O	I/O	I/O
P2	GND	GND	GND
P3	I/O	I/O	I/O
P4	I/O	I/O	I/O
P5	NC	I/O	I/O
P6	I/O	I/O	I/O
P7	I/O	I/O	I/O
P8	I/O	I/O	I/O
P9	I/O	I/O	I/O
P10	NC	I/O	I/O
P11	I/O	I/O	I/O
P12	I/O	I/O	I/O
P13	V _{CCA}	V _{CCA}	V _{CCA}
P14	I/O	I/O	I/O

484-Pin FBGA		
Pin Number	A54SX32A Function	A54SX72A Function
C19	I/O	I/O
C20	V _{CCI}	V _{CCI}
C21	I/O	I/O
C22	I/O	I/O
C23	I/O	I/O
C24	I/O	I/O
C25	NC*	I/O
C26	NC*	I/O
D1	NC*	I/O
D2	TMS	TMS
D3	I/O	I/O
D4	V _{CCI}	V _{CCI}
D5	NC*	I/O
D6	TCK, I/O	TCK, I/O
D7	I/O	I/O
D8	I/O	I/O
D9	I/O	I/O
D10	I/O	I/O
D11	I/O	I/O
D12	I/O	QCLKC
D13	I/O	I/O
D14	I/O	I/O
D15	I/O	I/O
D16	I/O	I/O
D17	I/O	I/O
D18	I/O	I/O
D19	I/O	I/O
D20	I/O	I/O
D21	V _{CCI}	V _{CCI}
D22	GND	GND
D23	I/O	I/O
D24	I/O	I/O
D25	NC*	I/O
D26	NC*	I/O
E1	NC*	I/O

484-Pin FBGA		
Pin Number	A54SX32A Function	A54SX72A Function
E2	NC*	I/O
E3	I/O	I/O
E4	I/O	I/O
E5	GND	GND
E6	TDI, IO	TDI, IO
E7	I/O	I/O
E8	I/O	I/O
E9	I/O	I/O
E10	I/O	I/O
E11	I/O	I/O
E12	I/O	I/O
E13	V _{CCA}	V _{CCA}
E14	CLKB	CLKB
E15	I/O	I/O
E16	I/O	I/O
E17	I/O	I/O
E18	I/O	I/O
E19	I/O	I/O
E20	I/O	I/O
E21	I/O	I/O
E22	I/O	I/O
E23	I/O	I/O
E24	I/O	I/O
E25	V _{CCI}	V _{CCI}
E26	GND	GND
F1	V _{CCI}	V _{CCI}
F2	NC*	I/O
F3	NC*	I/O
F4	I/O	I/O
F5	I/O	I/O
F22	I/O	I/O
F23	I/O	I/O
F24	I/O	I/O
F25	I/O	I/O
F26	NC*	I/O

484-Pin FBGA		
Pin Number	A54SX32A Function	A54SX72A Function
G1	NC*	I/O
G2	NC*	I/O
G3	NC*	I/O
G4	I/O	I/O
G5	I/O	I/O
G22	I/O	I/O
G23	V _{CCA}	V _{CCA}
G24	I/O	I/O
G25	NC*	I/O
G26	NC*	I/O
H1	NC*	I/O
H2	NC*	I/O
H3	I/O	I/O
H4	I/O	I/O
H5	I/O	I/O
H22	I/O	I/O
H23	I/O	I/O
H24	I/O	I/O
H25	NC*	I/O
H26	NC*	I/O
J1	NC*	I/O
J2	NC*	I/O
J3	I/O	I/O
J4	I/O	I/O
J5	I/O	I/O
J22	I/O	I/O
J23	I/O	I/O
J24	I/O	I/O
J25	V _{CCI}	V _{CCI}
J26	NC*	I/O
K1	I/O	I/O
K2	V _{CCI}	V _{CCI}
K3	I/O	I/O
K4	I/O	I/O
K5	V _{CCA}	V _{CCA}

Note: *These pins must be left floating on the A54SX32A device.

484-Pin FBGA		
Pin Number	A54SX32A Function	A54SX72A Function
T3	I/O	I/O
T4	I/O	I/O
T5	I/O	I/O
T10	GND	GND
T11	GND	GND
T12	GND	GND
T13	GND	GND
T14	GND	GND
T15	GND	GND
T16	GND	GND
T17	GND	GND
T22	I/O	I/O
T23	I/O	I/O
T24	I/O	I/O
T25	NC*	I/O
T26	NC*	I/O
U1	I/O	I/O
U2	V _{CCI}	V _{CCI}
U3	I/O	I/O
U4	I/O	I/O
U5	I/O	I/O
U10	GND	GND
U11	GND	GND
U12	GND	GND
U13	GND	GND
U14	GND	GND
U15	GND	GND
U16	GND	GND
U17	GND	GND
U22	I/O	I/O
U23	I/O	I/O
U24	I/O	I/O
U25	V _{CCI}	V _{CCI}
U26	I/O	I/O
V1	NC*	I/O

484-Pin FBGA		
Pin Number	A54SX32A Function	A54SX72A Function
V2	NC*	I/O
V3	I/O	I/O
V4	I/O	I/O
V5	I/O	I/O
V22	V _{CCA}	V _{CCA}
V23	I/O	I/O
V24	I/O	I/O
V25	NC*	I/O
V26	NC*	I/O
W1	I/O	I/O
W2	I/O	I/O
W3	I/O	I/O
W4	I/O	I/O
W5	I/O	I/O
W22	I/O	I/O
W23	V _{CCA}	V _{CCA}
W24	I/O	I/O
W25	NC*	I/O
W26	NC*	I/O
Y1	NC*	I/O
Y2	NC*	I/O
Y3	I/O	I/O
Y4	I/O	I/O
Y5	NC*	I/O
Y22	I/O	I/O
Y23	I/O	I/O
Y24	V _{CCI}	V _{CCI}
Y25	I/O	I/O
Y26	I/O	I/O

Note: *These pins must be left floating on the A54SX32A device.