

Welcome to E-XFL.COM

Understanding [Embedded - Microprocessors](#)

Embedded microprocessors are specialized computing chips designed to perform specific tasks within an embedded system. Unlike general-purpose microprocessors found in personal computers, embedded microprocessors are tailored for dedicated functions within larger systems, offering optimized performance, efficiency, and reliability. These microprocessors are integral to the operation of countless electronic devices, providing the computational power necessary for controlling processes, handling data, and managing communications.

Applications of [Embedded - Microprocessors](#)

Embedded microprocessors are utilized across a broad spectrum of applications, making them indispensable in

Details

Product Status	Active
Core Processor	PowerPC G2_LE
Number of Cores/Bus Width	1 Core, 32-Bit
Speed	266MHz
Co-Processors/DSP	Communications; RISC CPM, Security; SEC
RAM Controllers	DRAM, SDRAM
Graphics Acceleration	No
Display & Interface Controllers	-
Ethernet	10/100Mbps (2)
SATA	-
USB	USB 2.0 (1)
Voltage - I/O	3.3V
Operating Temperature	0°C ~ 105°C (TA)
Security Features	Cryptography, Random Number Generator
Package / Case	516-BBGA
Supplier Device Package	516-PBGA (27x27)
Purchase URL	https://www.e-xfl.com/pro/item?MUrl=&PartUrl=mpc8248zqmiba

This figure shows the block diagram of the SoC.

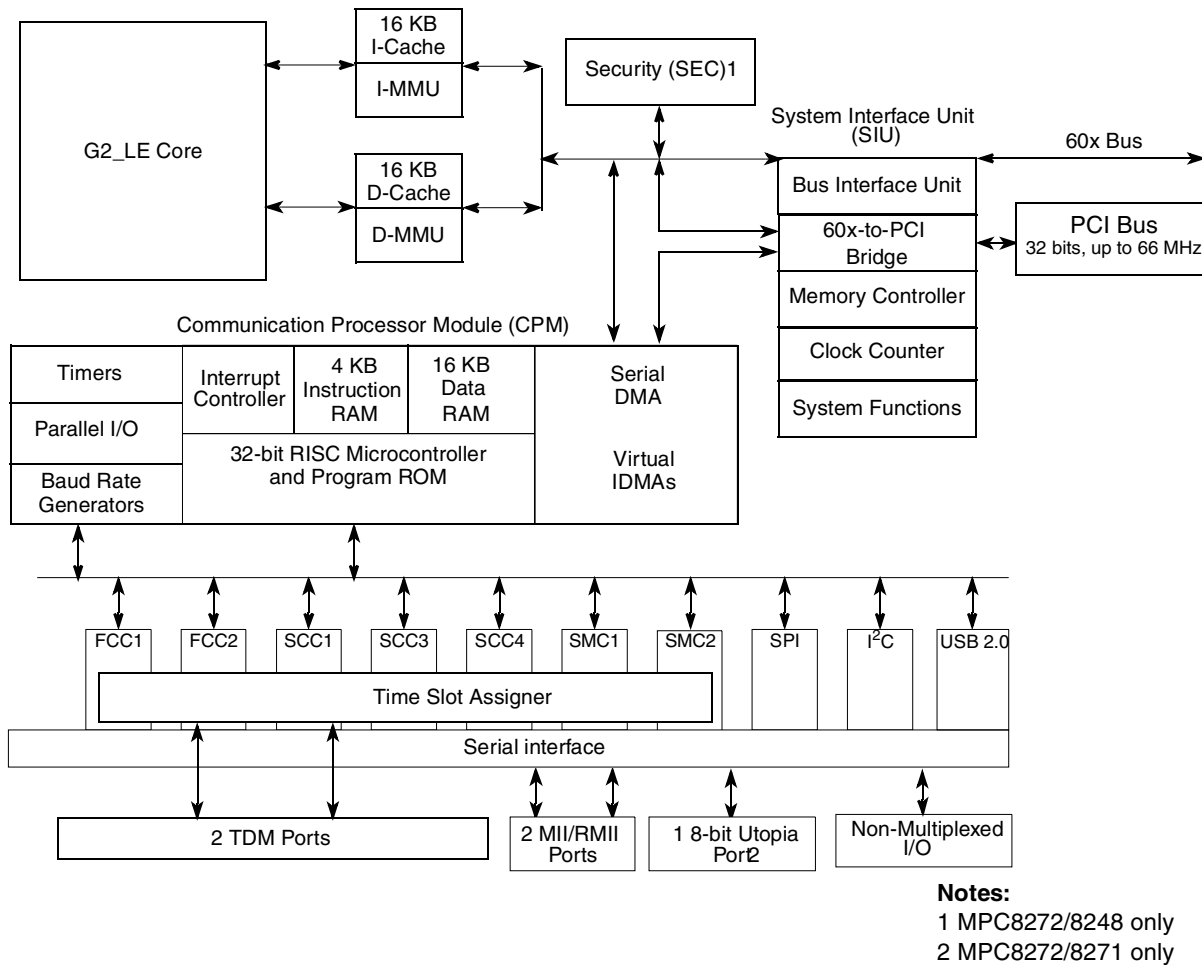


Figure 1. SoC Block Diagram

1.1 Features

The major features of the SoC are as follows:

- Dual-issue integer (G2_LE) core
 - A core version of the MPC603e microprocessor
 - System core microprocessor supporting frequencies of 266–400 MHz
 - Separate 16 KB data and instruction caches:
 - Four-way set associative
 - Physically addressed
 - LRU replacement algorithm
 - Power Architecture®-compliant memory management unit (MMU)
 - Common on-chip processor (COP) test interface
 - Supports bus snooping for cache coherency

- One of the FCCs supports ATM (MPC8272 and MPC8271 only)—full-duplex SAR at 155 Mbps, 8-bit UTOPIA interface 31 Mphys, AAL5, AAL1, AAL2, AAL0 protocols, TM 4.0 CBR, VBR, UBR, ABR traffic types, up to 64-K external connections
- Three serial communications controllers (SCCs) identical to those on the MPC860 supporting the digital portions of the following protocols:
 - Ethernet/IEEE 802.3 CDMA/CS
 - HDLC/SDLC and HDLC bus
 - Universal asynchronous receiver transmitter (UART)
 - Synchronous UART
 - Binary synchronous (BiSync) communications
 - Transparent
 - QUICC multichannel controller (QMC) up to 64 channels
 - Independent transmit and receive routing, frame synchronization.
 - Serial-multiplexed (full-duplex) input/output 2048, 1544, and 1536 Kbps PCM highways
 - Compatible with T1/DS1 24-channel and CEPT E1 32-channel PCM highway, ISDN basic rate, ISDN primary rate, and user defined.
 - Subchanneling on each time slot.
 - Independent transmit and receive routing, frame synchronization and clocking
 - Concatenation of any not necessarily consecutive time slots to channels independently for receiver/transmitter
 - Supports H1, H11, and H12 channels
 - Allows dynamic allocation of channels
 - SCC3 in NMSI mode is not usable when USB is enabled.
- Two serial management controllers (SMCs), identical to those of the MPC860
 - Provides management for BRI devices as general-circuit interface (GCI) controllers in time-division-multiplexed (TDM) channels
 - Transparent
 - UART (low-speed operation)
- One serial peripheral interface identical to the MPC860 SPI
- One I²C controller (identical to the MPC860 I²C controller)
 - Microwire compatible
 - Multiple-master, single-master, and slave modes
- Up to two TDM interfaces
 - Supports one groups of two TDM channels
 - 1024 bytes of SI RAM
- Eight independent baud rate generators and 14 input clock pins for supplying clocks to FCC, SCC, SMC, and USB serial channels
- Four independent 16-bit timers that can be interconnected as two 32-bit timers

This table lists recommended operational voltage conditions.

Table 4. Recommended Operating Conditions¹

Rating	Symbol	Value	Unit
Core supply voltage	VDD	1.425 – 575	V
PLL supply voltage	VCCSYN	1.425 – 575	V
I/O supply voltage	VDDH	3.135 – 3.465	V
Input voltage	VIN	GND (–0.3) – 3.465	V
Junction temperature (maximum)	T _j	105 ²	°C
Ambient temperature	T _A	0–70 ²	°C

¹ **Caution:** These are the recommended and tested operating conditions. Proper operation outside of these conditions is not guaranteed.

² Note that for extended temperature parts the range is $(-40)_{T_A} - 105_{T_j}$.

This SoC contains circuitry protecting against damage due to high static voltage or electrical fields; however, it is advised that normal precautions be taken to avoid application of any voltages higher than maximum-rated voltages to this high-impedance circuit. Reliability of operation is enhanced if unused inputs are tied to an appropriate logic voltage level (either GND or V_{CC}).

This figure shows the undershoot and overshoot voltage of the 60x bus memory interface of the SoC. Note that in PCI mode the I/O interface is different.

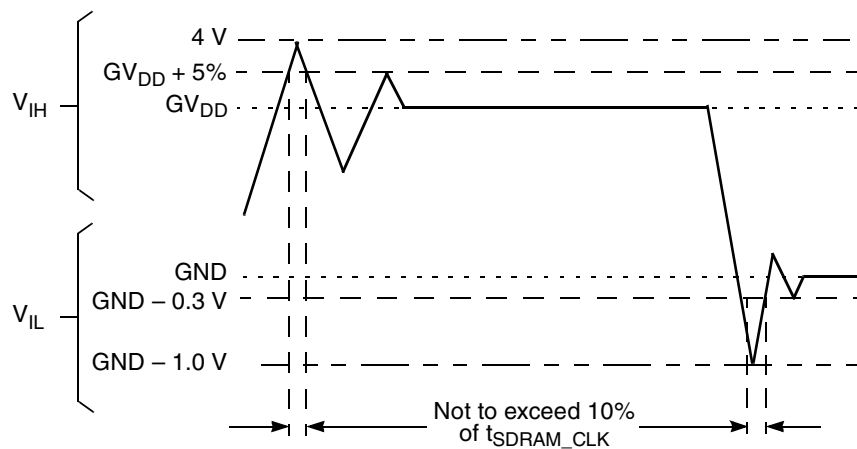


Figure 2. Overshoot/Undershoot Voltage

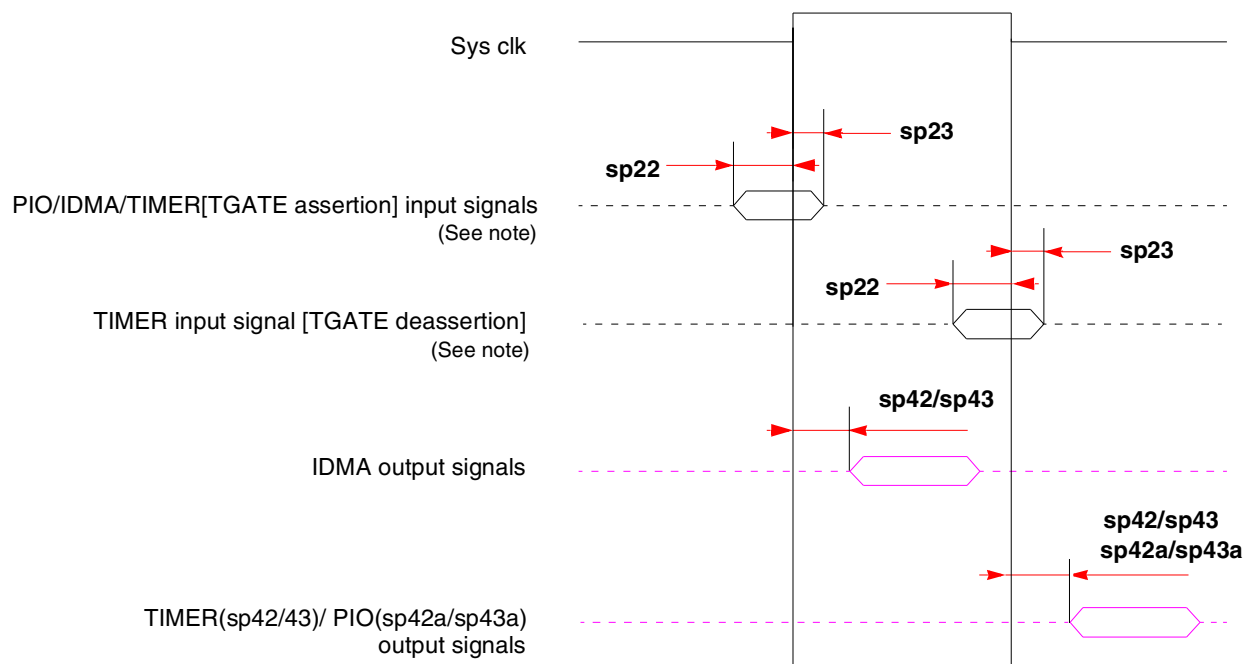
DC Electrical Characteristics

⁵ MPC8272 and MPC8271 only.

Table 6.

Characteristic	Symbol	Min	Max	Unit
Input high voltage—all inputs except TCK, TRST and PORESET ¹	V _{IH}	2.0	3.465	V
Input low voltage	V _{IL}	GND	0.8	V
CLKIN input high voltage	V _{IHC}	2.4	3.465	V
CLKIN input low voltage	V _{ILC}	GND	0.4	V
Input leakage current, V _{IN} = VDDH ²	I _{IN}	—	10	μA
Hi-Z (off state) leakage current, V _{IN} = VDDH ²	I _{OZ}	—	10	μA
Signal low input current, V _{IL} = 0.8 V ³	I _L	—	1	μA
Signal high input current, V _{IH} = 2.0 V	I _H	—	1	μA
Output high voltage, I _{OH} = -2 mA except UTOPIA mode, and open drain pins In UTOPIA mode ⁴ (UTOPIA pins only): I _{OH} = -8.0mA	V _{OH}	2.4	—	V
In UTOPIA mode ⁴ (UTOPIA pins only): I _{OL} = 8.0mA	V _{OL}	—	0.5	V
I _{OL} = 6.0mA BR BG ABB/IRQ2 TS A[0-31] TT[0-4] TBST TSIZE[0-3] AACK ARTRY DBG DBB/IRQ3 D[0-63] //EXT_BR3 //EXT_BG3 /TBEN/EXT_DBG3/CINT PSDVAL TA TEA GBL/IRQ1 CI/BADDR29/IRQ2 WT/BADDR30/IRQ3 BADDR31/IRQ5/CINT CPU_BR IRQ0/NMI_OUT /PCI_RST HRESET SRESET RSTCONF	V _{OL}	—	0.4	V

This figure shows PIO and timer signals.



Note: TGATE is asserted on the rising edge of the clock; it is deasserted on the falling edge.

Figure 8. PIO and Timer Signal Diagram

6.2 SIU AC Characteristics

This table lists SIU input characteristics.

NOTE: CLKIN Jitter and Duty Cycle

The CLKIN input to the SoC should not exceed ± 150 psec of jitter (peak-to-peak). This represents total input jitter—the combination of short term (peak-to-peak) and long term (cumulative). The duty cycle of CLKIN should not exceed the ratio of 40:60.

NOTE: Spread Spectrum Clocking

Spread spectrum clocking is allowed with 1% input frequency down-spread at maximum 60 KHz modulation rate regardless of input frequency.

NOTE: PCI AC Timing

The SoC meets the timing requirements of *PCI Specification Revision 2.2*. See [Section 7, “Clock Configuration Modes,”](#) and “Note: Tval (Output Hold)” to determine if a specific clock configuration is compliant.

NOTE

Activating data pipelining (setting BRx[DR] in the memory controller) improves the AC timing.

This figure shows the interaction of several bus signals.

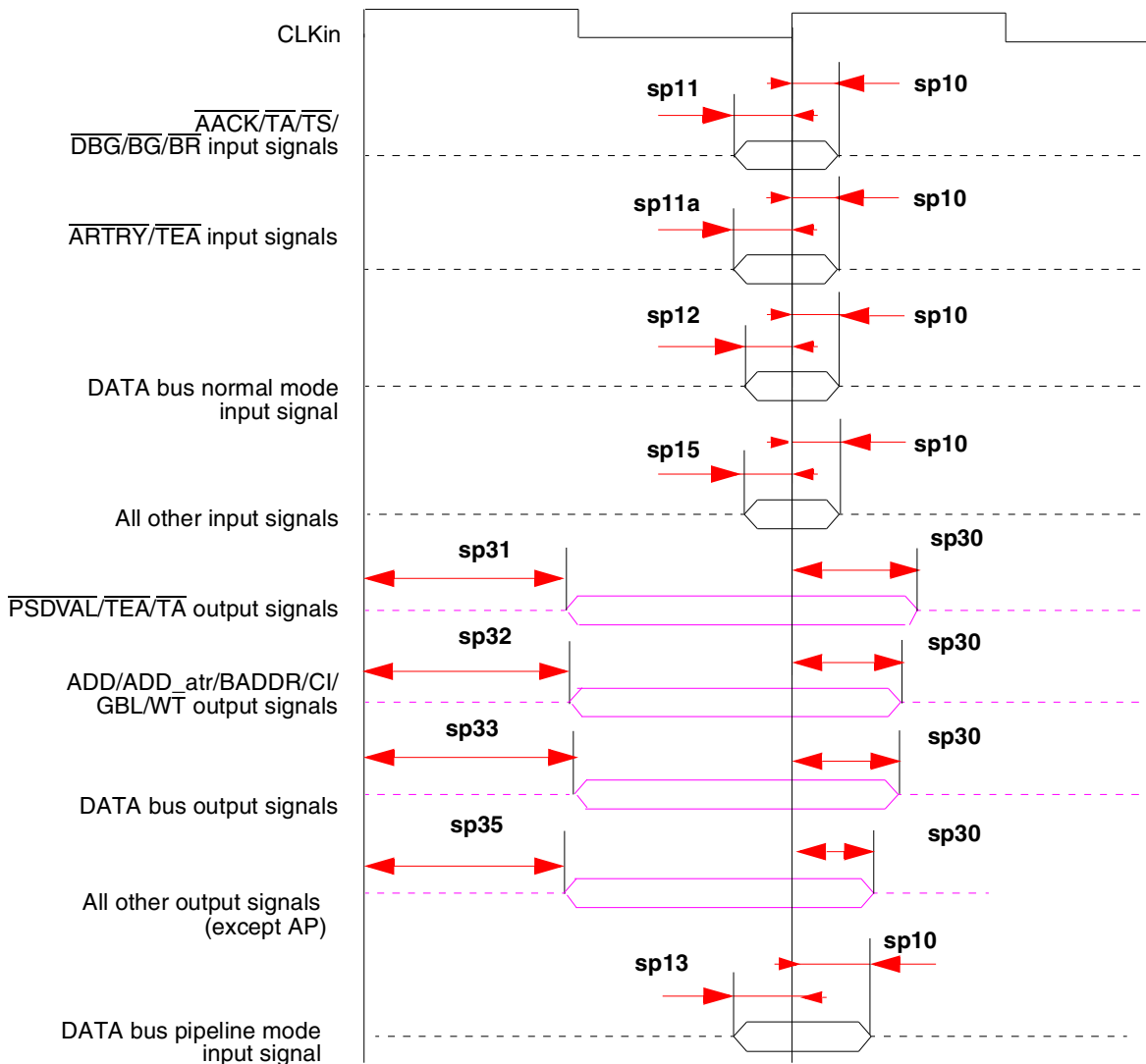


Figure 9. Bus Signals

NOTE

The UPM machine outputs change on the internal tick determined by the memory controller programming; the AC specifications are relative to the internal tick. Note that SDRAM and GPCM machine outputs change on CLK_{in}'s rising edge.

6.3 JTAG Timings

This table lists the JTAG timings.

Table 15. JTAG Timings¹

Parameter	Symbol ²	Min	Max	Unit	Notes	
JTAG external clock frequency of operation	f _{JTG}	0	33.3	MHz	—	
JTAG external clock cycle time	t _{JTG}	30	—	ns	—	
JTAG external clock pulse width measured at 1.4V	t _{JTKHKL}	15	—	ns	—	
JTAG external clock rise and fall times	t _{JTGR} and t _{JTGF}	0	5	ns	⁶	
TRST assert time	t _{TRST}	25	—	ns	^{3, 6}	
Input setup times	Boundary-scan data	t _{JTDVKH}	4	—	ns	^{4, 7}
	TMS, TDI	t _{JTIVKH}	4	—	ns	^{4, 7}
Input hold times	Boundary-scan data	t _{JTDXKH}	10	—	ns	^{4, 7}
	TMS, TDI	t _{JTIXKH}	10	—	ns	^{4, 7}
Output valid times	Boundary-scan data	t _{JTKLDV}	—	10	ns	^{5, 7}
	TDO	t _{JTKLOV}	—	10	ns	^{5, 7}
Output hold times	Boundary-scan data	t _{JTKLDX}	1	—	ns	^{5, 7}
	TDO	t _{JTKLOX}	1	—	ns	^{5, 7}
JTAG external clock to output high impedance	Boundary-scan data	t _{JTKLDZ}	1	10	ns	^{5, 6}
	TDO	t _{JTKLOZ}	1	10	ns	^{5, 6}

¹ All outputs are measured from the midpoint voltage of the falling/rising edge of t_{TCLK} to the midpoint of the signal in question. The output timings are measured at the pins. All output timings assume a purely resistive 50-Ω load. Time-of-flight delays must be added for trace lengths, vias, and connectors in the system.

² The symbols used for timing specifications herein follow the pattern of t_{(first two letters of functional block)(signal)(state) (reference)(state)} for inputs and t_{(first two letters of functional block)(reference)(state)(signal)(state)} for outputs. For example, t_{JTDVKH} symbolizes JTAG device timing (JT) with respect to the time data input signals (D) reaching the valid state (V) relative to the t_{JTG} clock reference (K) going to the high (H) state or setup time. Also, t_{JTDXKH} symbolizes JTAG timing (JT) with respect to the time data input signals (D) went invalid (X) relative to the t_{JTG} clock reference (K) going to the high (H) state. Note that, in general, the clock reference symbol representation is based on three letters representing the clock of a particular functional. For rise and fall times, the latter convention is used with the appropriate letter: R (rise) or F (fall).

³ TRST is an asynchronous level sensitive signal. The setup time is for test purposes only.

⁴ Non-JTAG signal input timing with respect to t_{TCLK}.

⁵ Non-JTAG signal output timing with respect to t_{TCLK}.

⁶ Guaranteed by design.

⁷ Guaranteed by design and device characterization.

Table 18. Clock Configurations for PCI Host Mode (PCI_MODCK=1)^{1,2} (continued)

Mode ³	Bus Clock (MHz)		CPM Multiplication Factor ⁴	CPM Clock (MHz)		CPU Multiplication Factor ⁵	CPU Clock (MHz)		PCI Division Factor ⁶	PCI Clock (MHz)	
	MODCK_H-MODCK[1-3]	Low		High	Low		High	Low		High	Low
1000_010	66.7	133.3	3	200.0	400.0	3.5	233.3	466.7	8	25.0	50.0
1000_011	66.7	133.3	3	200.0	400.0	4	266.7	533.3	8	25.0	50.0
1000_100	66.7	133.3	3	200.0	400.0	4.5	300.0	600.0	8	25.0	50.0
1000_101	66.7	133.3	3	200.0	400.0	6	400.0	800.0	8	25.0	50.0
1000_110	66.7	133.3	3	200.0	400.0	6.5	433.3	866.7	8	25.0	50.0
1001_000	Reserved										
1001_001	Reserved										
1001_010	57.1	114.3	3.5	200.0	400.0	3.5	200.0	400.0	8	25.0	50.0
1001_011	57.1	114.3	3.5	200.0	400.0	4	228.6	457.1	8	25.0	50.0
1001_100	57.1	114.3	3.5	200.0	400.0	4.5	257.1	514.3	8	25.0	50.0
1001_101	42.9	85.7	3.5	150.0	300.0	5	214.3	428.6	6	25.0	50.0
1001_110	42.9	85.7	3.5	150.0	300.0	5.5	235.7	471.4	6	25.0	50.0
1001_111	42.9	85.7	3.5	150.0	300.0	6	257.1	514.3	6	25.0	50.0
1010_000	75.0	150.0	2	150.0	300.0	2	150.0	300.0	6	25.0	50.0
1010_001	75.0	150.0	2	150.0	300.0	2.5	187.5	375.0	6	25.0	50.0
1010_010	75.0	150.0	2	150.0	300.0	3	225.0	450.0	6	25.0	50.0
1010_011	75.0	150.0	2	150.0	300.0	3.5	262.5	525.0	6	25.0	50.0
1010_100	75.0	150.0	2	150.0	300.0	4	300.0	600.0	6	25.0	50.0
1010_101	100.0	200.0	2	200.0	400.0	2.5	250.0	500.0	8	25.0	50.0
1010_110	100.0	200.0	2	200.0	400.0	3	300.0	600.0	8	25.0	50.0
1010_111	100.0	200.0	2	200.0	400.0	3.5	350.0	700.0	8	25.0	50.0
1011_000	Reserved										
1011_001	80.0	160.0	2.5	200.0	400.0	2.5	200.0	400.0	8	25.0	50.0
1011_010	80.0	160.0	2.5	200.0	400.0	3	240.0	480.0	8	25.0	50.0
1011_011	80.0	160.0	2.5	200.0	400.0	3.5	280.0	560.0	8	25.0	50.0
1011_100	80.0	160.0	2.5	200.0	400.0	4	320.0	640.0	8	25.0	50.0

Table 18. Clock Configurations for PCI Host Mode (PCI_MODCK=1)^{1,2} (continued)

Mode ³	Bus Clock (MHz)		CPM Multiplication Factor ⁴	CPM Clock (MHz)		CPU Multiplication Factor ⁵	CPU Clock (MHz)		PCI Division Factor ⁶	PCI Clock (MHz)	
	Low	High		Low	High		Low	High		Low	High
1011_101	80.0	160.0	2.5	200.0	400.0	4.5	360.0	720.0	8	25.0	50.0
1101_000	50.0	100.0	2.5	125.0	250.0	3	150.0	300.0	5	25.0	50.0
1101_001	50.0	100.0	2.5	125.0	250.0	3.5	175.0	350.0	5	25.0	50.0
1101_010	50.0	100.0	2.5	125.0	250.0	4	200.0	400.0	5	25.0	50.0
1101_011	50.0	100.0	2.5	125.0	250.0	4.5	225.0	450.0	5	25.0	50.0
1101_100	50.0	100.0	2.5	125.0	250.0	5	250.0	500.0	5	25.0	50.0
1101_101	62.5	125.0	2	125.0	250.0	3	187.5	375.0	5	25.0	50.0
1101_110	62.5	125.0	2	125.0	250.0	4	250.0	500.0	5	25.0	50.0
1110_000	50.0	100.0	3	150.0	300.0	3.5	175.0	350.0	6	25.0	50.0
1110_001	50.0	100.0	3	150.0	300.0	4	200.0	400.0	6	25.0	50.0
1110_010	50.0	100.0	3	150.0	300.0	4.5	225.0	450.0	6	25.0	50.0
1110_011	50.0	100.0	3	150.0	300.0	5	250.0	500.0	6	25.0	50.0
1110_100	50.0	100.0	3	150.0	300.0	5.5	275.0	550.0	6	25.0	50.0
1100_000	Reserved										
1100_001	Reserved										
1100_010	Reserved										

¹ The “low” values are the minimum allowable frequencies for a given clock mode. The minimum bus frequency in a table entry guarantees only the required minimum CPU operating frequency. The “high” values are for the purpose of illustration only. Users must select a mode and input bus frequency so that the resulting configuration does not exceed the frequency rating of the user’s device. The minimum CPU frequency is 150 MHz for commercial temperature devices and 175 MHz for extended temperature devices. The minimum CPM frequency is 120 MHz.

² PCI_MODCK determines the PCI clock frequency range. See [Table 17](#) for higher range configurations.

³ MODCK_H = hard reset configuration word [28–31] (see Section 5.4 in the SoC reference manual). MODCK[1-3] = three hardware configuration pins.

⁴ CPM multiplication factor = CPM clock/bus clock

⁵ CPU multiplication factor = Core PLL multiplication factor

Table 19. Clock Configurations for PCI Agent Mode (PCI_MODCK=0)^{1,2} (continued)

Mode ³	PCI Clock (MHz)		CPM Multiplication Factor ⁴	CPM Clock (MHz)		CPU Multiplication Factor ⁵	CPU Clock (MHz)		Bus Division Factor	Bus Clock (MHz)	
	MODCK_H-MODCK[1-3]	Low		High	Low		High	Low		High	Low
1000_000	Reserved										
1000_001	50.0	66.7	3	150.0	200.0	2.5	150.0	166.7	2.5	60.0	80.0
1000_010	50.0	66.7	3	150.0	200.0	3	180.0	240.0	2.5	60.0	80.0
1000_011	50.0	66.7	3	150.0	200.0	3.5	210.0	280.0	2.5	60.0	80.0
1000_100	50.0	66.7	3	150.0	200.0	4	240.0	320.0	2.5	60.0	80.0
1000_101	50.0	66.7	3	150.0	200.0	4.5	270.0	360.0	2.5	60.0	80.0
1001_000	Reserved										
1001_001	Reserved										
1001_010	Reserved										
1001_011	50.0	66.7	4	200.0	266.6	4	200.0	266.6	4	50.0	66.7
1001_100	50.0	66.7	4	200.0	266.6	4.5	225.0	300.0	4	50.0	66.7
1010_000	Reserved										
1010_001	50.0	66.7	4	200.0	266.6	3	200.0	266.6	3	66.7	88.9
1010_010	50.0	66.7	4	200.0	266.6	3.5	233.3	311.1	3	66.7	88.9
1010_011	50.0	66.7	4	200.0	266.6	4	266.7	355.5	3	66.7	88.9
1010_100	50.0	66.7	4	200.0	266.6	4.5	300.0	400.0	3	66.7	88.9
1011_000	Reserved										
1011_001	50.0	66.7	4	200.0	266.6	2.5	200.0	266.6	2.5	80.0	106.7
1011_010	50.0	66.7	4	200.0	266.6	3	240.0	320.0	2.5	80.0	106.7
1011_011	50.0	66.7	4	200.0	266.6	3.5	280.0	373.3	2.5	80.0	106.7
1011_100	50.0	66.7	4	200.0	266.6	4	320.0	426.6	2.5	80.0	106.7
1011_101	50.0	66.7	4	200.0	266.6	2.5	250.0	333.3	2	100.0	133.3
1011_110	50.0	66.7	4	200.0	266.6	3	300.0	400.0	2	100.0	133.3
1011_111	50.0	66.7	4	200.0	266.6	3.5	350.0	466.6	2	100.0	133.3

Table 19. Clock Configurations for PCI Agent Mode (PCI_MODCK=0)^{1,2} (continued)

Mode ³	PCI Clock (MHz)		CPM Multiplication Factor ⁴	CPM Clock (MHz)		CPU Multiplication Factor ⁵	CPU Clock (MHz)		Bus Division Factor	Bus Clock (MHz)	
	Low	High		Low	High		Low	High		Low	High
1100_101	50.0	66.7	6	300.0	400.0	4	400.0	533.3	3	100.0	133.3
1100_110	50.0	66.7	6	300.0	400.0	4.5	450.0	599.9	3	100.0	133.3
1100_111	50.0	66.7	6	300.0	400.0	5	500.0	666.6	3	100.0	133.3
1101_000	50.0	66.7	6	300.0	400.0	5.5	550.0	733.3	3	100.0	133.3
1101_001	50.0	66.7	6	300.0	400.0	3.5	420.0	559.9	2.5	120.0	160.0
1101_010	50.0	66.7	6	300.0	400.0	4	480.0	639.9	2.5	120.0	160.0
1101_011	50.0	66.7	6	300.0	400.0	4.5	540.0	719.9	2.5	120.0	160.0
1101_100	50.0	66.7	6	300.0	400.0	5	600.0	799.9	2.5	120.0	160.0
1110_000	50.0	66.7	5	250.0	333.3	2.5	312.5	416.6	2	125.0	166.7
1110_001	50.0	66.7	5	250.0	333.3	3	375.0	500.0	2	125.0	166.7
1110_010	50.0	66.7	5	250.0	333.3	3.5	437.5	583.3	2	125.0	166.7
1110_011	50.0	66.7	5	250.0	333.3	4	500.0	666.6	2	125.0	166.7
1110_100	50.0	66.7	5	250.0	333.3	4	333.3	444.4	3	83.3	111.1
1110_101	50.0	66.7	5	250.0	333.3	4.5	375.0	500.0	3	83.3	111.1
1110_110	50.0	66.7	5	250.0	333.3	5	416.7	555.5	3	83.3	111.1
1110_111	50.0	66.7	5	250.0	333.3	5.5	458.3	611.1	3	83.3	111.1
1100_000	Reserved										
1100_001	Reserved										
1100_010	Reserved										

¹ The “low” values are the minimum allowable frequencies for a given clock mode. The minimum bus frequency in a table entry guarantees only the required minimum CPU operating frequency. The “high” values are for the purpose of illustration only. Users must select a mode and input bus frequency so that the resulting configuration does not exceed the frequency rating of the user’s device. The minimum CPU frequency is 150 MHz for commercial temperature devices and 175 MHz for extended temperature devices. The minimum CPM frequency is 120 MHz.

² PCI_MODCK determines the PCI clock frequency range. See [Table 20](#) for lower range configurations.

³ MODCK_H = hard reset configuration word [28–31] (see Section 5.4 in the SoC reference manual). MODCK[1-3] = three hardware configuration pins.

⁴ CPM multiplication factor = CPM clock/bus clock

⁵ CPU multiplication factor = Core PLL multiplication factor

Table 20. Clock Configurations for PCI Agent Mode (PCI_MODCK=1)^{1,2} (continued)

Mode ³	PCI Clock (MHz)		CPM Multiplication Factor ⁴	CPM Clock (MHz)		CPU Multiplication Factor ⁵	CPU Clock (MHz)		Bus Division Factor	Bus Clock (MHz)	
	Low	High		Low	High		Low	High		Low	High
1001_010	Reserved										
1001_011	25.0	50.0	8	200.0	400.0	4	200.0	400.0	4	50.0	100.0
1001_100	25.0	50.0	8	200.0	400.0	4.5	225.0	450.0	4	50.0	100.0
1010_000	Reserved										
1010_001	25.0	50.0	8	200.0	400.0	3	200.0	400.0	3	66.7	133.3
1010_010	25.0	50.0	8	200.0	400.0	3.5	233.3	466.7	3	66.7	133.3
1010_011	25.0	50.0	8	200.0	400.0	4	266.7	533.3	3	66.7	133.3
1010_100	25.0	50.0	8	200.0	400.0	4.5	300.0	600.0	3	66.7	133.3
1011_000	Reserved										
1011_001	25.0	50.0	8	200.0	400.0	2.5	200.0	400.0	2.5	80.0	160.0
1011_010	25.0	50.0	8	200.0	400.0	3	240.0	480.0	2.5	80.0	160.0
1011_011	25.0	50.0	8	200.0	400.0	3.5	280.0	560.0	2.5	80.0	160.0
1011_100	25.0	50.0	8	200.0	400.0	4	320.0	640.0	2.5	80.0	160.0
1011_101	25.0	50.0	8	200.0	400.0	2.5	250.0	500.0	2	100.0	200.0
1011_110	25.0	50.0	8	200.0	400.0	3	300.0	600.0	2	100.0	200.0
1011_111	25.0	50.0	8	200.0	400.0	3.5	350.0	700.0	2	100.0	200.0
1100_101	25.0	50.0	6	150.0	300.0	4	200.0	400.0	3	50.0	100.0
1100_110	25.0	50.0	6	150.0	300.0	4.5	225.0	450.0	3	50.0	100.0
1100_111	25.0	50.0	6	150.0	300.0	5	250.0	500.0	3	50.0	100.0
1101_000	25.0	50.0	6	150.0	300.0	5.5	275.0	550.0	3	50.0	100.0
1101_001	25.0	50.0	6	150.0	300.0	3.5	210.0	420.0	2.5	60.0	120.0
1101_010	25.0	50.0	6	150.0	300.0	4	240.0	480.0	2.5	60.0	120.0
1101_011	25.0	50.0	6	150.0	300.0	4.5	270.0	540.0	2.5	60.0	120.0
1101_100	25.0	50.0	6	150.0	300.0	5	300.0	600.0	2.5	60.0	120.0

Table 20. Clock Configurations for PCI Agent Mode (PCI_MODCK=1)^{1,2} (continued)

Mode ³	PCI Clock (MHz)		CPM Multiplication Factor ⁴	CPM Clock (MHz)		CPU Multiplication Factor ⁵	CPU Clock (MHz)		Bus Division Factor	Bus Clock (MHz)	
	Low	High		Low	High		Low	High		Low	High
1110_000	25.0	50.0	5	125.0	250.0	2.5	156.3	312.5	2	62.5	125.0
1110_001	25.0	50.0	5	125.0	250.0	3	187.5	375.0	2	62.5	125.0
1110_010	28.6	50.0	5	142.9	250.0	3.5	250.0	437.5	2	71.4	125.0
1110_011	25.0	50.0	5	125.0	250.0	4	250.0	500.0	2	62.5	125.0
1110_100	25.0	50.0	5	125.0	250.0	4	166.7	333.3	3	41.7	83.3
1110_101	25.0	50.0	5	125.0	250.0	4.5	187.5	375.0	3	41.7	83.3
1110_110	25.0	50.0	5	125.0	250.0	5	208.3	416.7	3	41.7	83.3
1110_111	25.0	50.0	5	125.0	250.0	5.5	229.2	458.3	3	41.7	83.3
1100_000	Reserved										
1100_001	Reserved										
1100_010	Reserved										

¹ The “low” values are the minimum allowable frequencies for a given clock mode. The minimum bus frequency in a table entry guarantees only the required minimum CPU operating frequency. The “high” values are for the purpose of illustration only. Users must select a mode and input bus frequency so that the resulting configuration does not exceed the frequency rating of the user’s device. The minimum CPU frequency is 150 MHz for commercial temperature devices and 175 MHz for extended temperature devices. The minimum CPM frequency is 120 MHz.

² PCI_MODCK determines the PCI clock frequency range. See [Table 19](#) for higher range configurations.

³ MODCK_H = hard reset configuration word [28–31] (see Section 5.4 in the SoC reference manual). MODCK[1-3] = three hardware configuration pins.

⁴ CPM multiplication factor = CPM clock/bus clock

⁵ CPU multiplication factor = Core PLL multiplication factor

8 Pinout

This figure and table show the pin assignments and pinout for the 516 PBGA package.

Table 21. Pinout (continued)

Pin Name		Ball
MPC8272/MPC8248 and MPC8271/MPC8247	MPC8272/MPC8271 Only	
	\overline{TS}	D1
	A0	A3
	A1	B5
	A2	D8
	A3	C6
	A4	A4
	A5	A6
	A6	B6
	A7	C7
	A8	B7
	A9	A7
	A10	D9
	A11	E11
	A12	C9
	A13	B9
	A14	D11
	A15	A9
	A16	B10
	A17	A10
	A18	B11
	A19	A11
	A20	D12
	A21	A12
	A22	D13
	A23	B13
	A24	C13
	A25	C14
	A26	B14
	A27	D14
	A28	E14
	A29	A14

Table 21. Pinout (continued)

Pin Name		Ball
MPC8272/MPC8248 and MPC8271/MPC8247	MPC8272/MPC8271 Only	
	D46	H4
	D47	F2
	D48	AB1
	D49	U4
	D50	U1
	D51	R3
	D52	N3
	D53	K2
	D54	H5
	D55	F4
	D56	AA3
	D57	U5
	D58	U2
	D59	P5
	D60	M3
	D61	K4
	D62	H3
	D63	E1
	$\overline{\text{IRQ3}}/\text{CKSTP_OUT}/\text{EXT_BR3}$	B16
	$\overline{\text{IRQ4}}/\text{CORE_SRESET}/\text{EXT_BG3}$	C15
	$\overline{\text{IRQ5}}/\text{TBEN}/\text{EXT_DBG3}/\text{CINT}$	Y4
	$\overline{\text{PSDVAL}}$	C19
	$\overline{\text{TA}}$	AA4
	$\overline{\text{TEA}}$	AB6
	$\overline{\text{GBL}}/\text{IRQ1}$	D15
	$\overline{\text{CI}}/\text{BADDR29}/\text{IRQ2}$	D16
	$\overline{\text{WT}}/\text{BADDR30}/\text{IRQ3}$	C16
	$\text{BADDR31}/\text{IRQ5}/\text{CINT}$	E17
	$\overline{\text{CPU_BR}}/\text{INT_OUT}$	B20
	$\overline{\text{CS0}}$	AE6
	$\overline{\text{CS1}}$	AD7

Table 21. Pinout (continued)

Pin Name		Ball
MPC8272/MPC8248 and MPC8271/MPC8247	MPC8272/MPC8271 Only	
	PCI_AD16	AE16
	PCI_AD17	AF17
	PCI_AD18	AD16
	PCI_AD19	AC16
	PCI_AD20	AF18
	PCI_AD21	AB16
	PCI_AD22	AD17
	PCI_AD23	AF19
	PCI_AD24	AB17
	PCI_AD25	AF20
	PCI_AD26	AE19
	PCI_AD27	AC18
	PCI_AD28	AB18
	PCI_AD29	AD19
	PCI_AD30	AD21
	PCI_AD31	AC20
	$\overline{\text{PCI_C0/BE0}}$	AE12
	$\overline{\text{PCI_C1/BE1}}$	AF13
	$\overline{\text{PCI_C2/BE2}}$	AC15
	$\overline{\text{PCI_C3/BE3}}$	AE18
	$\overline{\text{IRQ0/NMI_OUT}}$	A17
	$\overline{\text{TRST}}^2$	E21
	TCK	B22
	TMS	C23
	TDI	B24
	TDO	A22
	$\overline{\text{TRIS}}$	B23
	$\overline{\text{PORESET}}^2/\overline{\text{PCI_RST}}$	C24
	$\overline{\text{HRESET}}$	D22
	$\overline{\text{SRESET}}$	F22
	$\overline{\text{RSTCONF}}$	A24

Table 21. Pinout (continued)

Pin Name		Ball
MPC8272/MPC8248 and MPC8271/MPC8247	MPC8272/MPC8271 Only	
MODCK1/ $\overline{\text{RSRV}}$ /TC0/ $\overline{\text{BNKSEL0}}$		A20
MODCK2/CSE0/TC1/ $\overline{\text{BNKSEL1}}$		C20
MODCK3/CSE1/TC2/ $\overline{\text{BNKSEL2}}$		A21
CLKIN1		D21
PA8/SMRXD2		AF25 ³
PA9/SMTXD2		AA22 ³
PA10/MSNUM5	FCC1_UT_RXD0	AB23 ³
PA11/MSNUM4	FCC1_UT_RXD1	AD26 ³
PA12/MSNUM3	FCC1_UT_RXD2	AD25 ³
PA13/MSNUM2	FCC1_UT_RXD3	AA24 ³
PA14/FCC1_MII_HDLC_RXD3	FCC1_UT_RXD4	W22 ³
PA15/FCC1_MII_HDLC_RXD2	FCC1_UT_RXD5	Y24 ³
PA16/FCC1_MII_HDLC_RXD1	FCC1_UT_RXD6	T22 ³
PA17/FCC1_MII_HDLC_RXD0/ FCC1_MII_TRAN_RXD/FCC1_RMII_RX D0	FCC1_UT_RXD7	W26 ³
PA18/FCC1_MII_HDLC_TXD0/FCC1_MII _TRAN_TXD/ FCC1_RMII_TXD0	FCC1_UT_TXD7	V26 ³
PA19/FCC1_MII_HDLC_TXD1/FCC1_RM II_TXD1	FCC1_UT_TXD6	R23 ³
PA20/FCC1_MII_HDLC_TXD2	FCC1_UT_TXD5	P25 ³
PA21/FCC1_MII_HDLC_TXD3	FCC1_UT_TXD4	N22 ³
PA22	FCC1_UT_TXD3	N26 ³
PA23	FCC1_UT_TXD2	N23 ³
PA24/MSNUM1	FCC1_UT_TXD1	H26 ³
PA25/MSNUM0	FCC1_UT_TXD0	G25 ³
PA26/FCC1_MII_RMII_RX_ER	FCC1_UT_RXCLAV	L22 ³
PA27/FCC1_MII_RX_DV/FCC1_RMII_CR S_DV	FCC1_UT_RXSOC	G24 ³
PA28/FCC1_MII_RMII_TX_EN	FCC1_UT_RXENB	G23 ³
PA29/FCC1_MII_TX_ER	$\overline{\text{FCC1_UT_TXSOC}}$	B26 ³
PA30/FCC1_MII_CRS/ $\overline{\text{FCC1_RTS}}$	FCC1_UT_TXCLAV	A25 ³

Table 21. Pinout (continued)

Pin Name		Ball
MPC8272/MPC8248 and MPC8271/MPC8247	MPC8272/MPC8271 Only	
PA31/FCC1_MII_COL	$\overline{\text{FCC1_UT_TXENB}}$	G22 ³
PB18/FCC2_MII_HDLC_RXD3		T25 ³
PB19/FCC2_MII_HDLC_RXD2		P22 ³
PB20/FCC2_MII_HDLC_RMII_RXD1		L25 ³
PB21/FCC2_MII_HDLC_RMII_RXD0/FCC2_TRAN_RXD		J26 ³
PB22/FCC2_MII_HDLC_TXD0/FCC2_TRAN_TXD/ FCC2_RMII_TXD0		U23 ³
PB23/FCC2_MII_HDLC_TXD1/FCC2_RMII_TXD1		U26 ³
PB24/FCC2_MII_HDLC_TXD2/L1RSYNCB2		M24 ³
PB25/FCC2_MII_HDLC_TXD3/L1TSYNCB2		M23 ³
PB26/FCC2_MII_CRS/L1RXDB2		H24 ³
PB27/FCC2_MII_COL/L1TXDB2		E25 ³
PB28/FCC2_MII_RMII_RX_ER/ $\overline{\text{FCC2_RTS}}$ /TXD1		D26 ³
PB29/FCC2_MII_RMII_TX_EN		K21 ³
PB30/FCC2_MII_RX_DV/FCC2_RMII_CRS_DV		D24 ³
PB31/FCC2_MII_TX_ER		E23 ³
PC0/ $\overline{\text{DREQ3}}$ /BRGO7/ $\overline{\text{SMSYN1}}$ /L1CLKOA2		AF23 ³
PC1/BRGO6/ $\overline{\text{L1RQA2}}$		AD23 ³
PC4/SMRXD1/SI2_L1ST4/ $\overline{\text{FCC2_CD}}$		AB22 ³
PC5/SMTXD1/SI2_L1ST3/ $\overline{\text{FCC2_CTS}}$		AE24 ³
PC6/ $\overline{\text{FCC1_CD}}$ /SI2_L1ST2	FCC1_UT_RXADDR2	AF24 ³
PC7/ $\overline{\text{FCC1_CTS}}$	FCC1_UT_TXADDR2	AE26 ³
PC8/ $\overline{\text{CD4}}$ /RTS1/SI2_L1ST2/ $\overline{\text{CTS3}}$		AC24 ³
PC9/ $\overline{\text{CTS4}}$ /L1TSYNCA2		AA23 ³
PC10/ $\overline{\text{CD3}}$ /USB_RN		AB25 ³
PC11/ $\overline{\text{CTS3}}$ /USB_RP/L1TXD3A2		V22 ³
PC12	FCC1_UT_RXADDR1	AA26 ³
PC13/BRGO5	FCC1_UT_TXADDR1	V23 ³
PC14/ $\overline{\text{CD1}}$	FCC1_UT_RXADDR0	W24 ³
PC15/ $\overline{\text{CTS1}}$	FCC1_UT_TXADDR0	U24 ³
PC16/CLK16		T23 ³

Table 23. Document Revision History (continued)

Revision	Date	Substantive Changes
1.2	09/2005	<ul style="list-style-type: none"> • Added 133-MHz to the list of frequencies in the opening sentence of Section 6, “AC Electrical Characteristics”. • Added 133 MHz columns to Table 9, Table 11, Table 12, and Table 13. • Added footnote 2 to Table 13. • Added the conditions note directly above Table 12.
1.1	01/2005	<ul style="list-style-type: none"> • Modification for correct display of assertion level (“$\overline{\text{overbar}}$”) for some signals
1.0	12/2004	<ul style="list-style-type: none"> • Section 1.1: Added 8:1 ratio to Internal CPM/bus clock multiplier values • Section 2: removed voltage tracking note • Table 3: Note 2 updated regarding VDD/VCCSYN relationship to VDDH during power-on reset • Table 4: Updated VDD and VCCSYN to 1.425 V - 1.575 V • Table 8: Note 2 updated to reflect VIH=2.5 for TCK, TRST, PORESET; request for external pull-up removed. • Section 4.6: Updated description of layout practices • Table 8: Note 3 added regarding IIC compatibility • Table 8: Updated nominal and maximum power dissipation values • Table 9: updated PCI impedance to 27Ω, updated 60x and MEMC values and added note to reflect configurable impedance • Section 6: Added sentence providing derating factor • Section 6.1: added Note: Rise/Fall Time on CPM Input Pins • Table 9: updated values for following specs: sp36b, sp37a, sp38a, sp39a, sp38b, sp40, sp41, sp42, sp43, sp42a • Table 11: updated values for following specs: sp16a, sp16b, sp18a, sp18b, sp20, sp21, sp22 • Section 6.2: added spread spectrum clocking note • Section 6.2: added CLKIN jitter note • Table 12: combined specs sp11 and sp11a • Table 13: sp30 Data Bus minimum delay values changed to 0.8 • Section 7: unit of ns added to Tval notes • Section 7: Updated all notes to reflect updated CPU Fmin of 150 MHz commercial temp devices, 175 MHz extended temp; CPM Fmin of 120 MHz. • Section 7, “Clock Configuration Modes”: Updated all table footnotes reflect updated CPU Fmin of 150 MHz commercial temp devices, 175 MHz extended temp; CPM Fmin of 120 MHz. • Table 21: correct superscript of footnote number after pin AD22 • Table 21: remove DONE3 from PC12 • Table 21: signals referring to TDMs C2 and D2 removed

Table 23. Document Revision History (continued)

Revision	Date	Substantive Changes
0.2	12/2003	<ul style="list-style-type: none"> • Table 1: New • Table 2: New • Table 4: Modification of VDD and VCCSYN to 1.45–1.60 V • Table 8: Addition of note 2 regarding $\overline{\text{TRST}}$ and $\overline{\text{PORESET}}$ (see V_{IH} row of Table 8) • Table 8 and Table 21: Addition of muxed signals CPCI_HS_ES to $\overline{\text{PCI_REQ1}}$ (AF14) CPCI_HS_LED to $\overline{\text{PCI_GNT1}}$ (AE13) CPCI_HS_ENUM to $\overline{\text{PCI_GNT2}}$ (AF21) • Table 8 and Table 21: Modification of PCI signal names for consistency with PCI signal names on other PowerQUICC II devices: $\overline{\text{PCI_CFG0}}$ ($\overline{\text{PCI_HOST_EN}}$) (AC21) $\overline{\text{PCI_CFG1}}$ ($\overline{\text{PCI_ARB_EN}}$) (AE22) $\overline{\text{PCI_CFG2}}$ (DLL_ENABLE) (AE23) $\overline{\text{PCI_PAR}}$ (AF12) $\overline{\text{PCI_FRAME}}$ (AD15) $\overline{\text{PCI_TRDY}}$ (AF16) $\overline{\text{PCI_IRDY}}$ (AF15) $\overline{\text{PCI_STOP}}$ (AE15) $\overline{\text{DEVSEL}}$ (AE14) $\overline{\text{PCI_IDSEL}}$ (AC17) $\overline{\text{PCI_PERR}}$ (AD14) $\overline{\text{PCI_SERR}}$ (AD13) $\overline{\text{PCI_REQ0-2}}$ (AAE20, AF14, AB14) $\overline{\text{PCI_GNT0-2}}$ (AD20, AE13, AF21) $\overline{\text{PCI_RST}}$ (AF22) $\overline{\text{PCI_INTA}}$ (AE21) $\overline{\text{PCI_C0-3}}$ (AE12, AF13, AC15, AE18) $\overline{\text{PCI_AD0-31}}$ • Table 8 and Table 21: Corrected assertion level (added “$\overline{\text{ ”$) $\overline{\text{PCI_HOST_EN}}$ (AC21) and $\overline{\text{PCI_ARB_EN}}$ (AE22) • Table 7: Addition of $R_{\theta JT}$ and note 4 • Sections 4.1–4.5 and 4.7 on thermal characteristics: New • Section 7, “Clock Configuration Modes”: Modification to first paragraph. Note that $\overline{\text{PCI_MODCK}}$ is a bit in the Hard Reset Configuration Word. It is not an input signal as it is in the MPC8280 Family and MPC8260 Family. • Addition of “Note: Temperature Reflow for the VR Package” on page 56 • Table 21: Addition of note 2 to $\overline{\text{TRST}}$ (E21) and $\overline{\text{PORESET}}$ (C24) • Table 21: Removal of Thermal0 (D19) and Thermal1(J3). These pins are now “No connects.” Note 4 unchanged. • Table 21: Removal of Spare0 (AD24). This pin is now a “No connect.” Note 5 unchanged. • Table 21: Addition of $\overline{\text{PCI_MODE}}$ (AD22). This pin was previously listed as “Ground.” Addition of note 1.
0.1	9/2003	<ul style="list-style-type: none"> • Addition of the MPC8271 and the MPC8247 (these devices do not have a security engine) • Table 8: Addition of note 2 to V_{IH} • Table 8: Changed I_{OL} for 60x signals to 6.0 mA • Modification of note 1 for Table 17, Table 18, Table 19, and Table 20 • Table 21: Addition of ball AD9 to GND. In rev 0 of this document, AD8 was listed as assigned to both $\overline{\text{CS5}}$ and GND. AD8 is only assigned to $\overline{\text{CS5}}$. • Table 21: Addition of note 4 to Thermal0 (D19) and Thermal1(J3) • Addition of ZQ package code to Figure 15
0	5/2003	NDA release