

Welcome to [E-XFL.COM](https://www.e-xfl.com)

### What is "[Embedded - Microcontrollers](#)"?

"[Embedded - Microcontrollers](#)" refer to small, integrated circuits designed to perform specific tasks within larger systems. These microcontrollers are essentially compact computers on a single chip, containing a processor core, memory, and programmable input/output peripherals. They are called "embedded" because they are embedded within electronic devices to control various functions, rather than serving as standalone computers. Microcontrollers are crucial in modern electronics, providing the intelligence and control needed for a wide range of applications.

### Applications of "[Embedded - Microcontrollers](#)"

#### Details

Product Status	Active
Core Processor	PIC
Core Size	8-Bit
Speed	32MHz
Connectivity	I <sup>2</sup> C, LINbus, SPI, UART/USART
Peripherals	Brown-out Detect/Reset, POR, PWM, WDT
Number of I/O	11
Program Memory Size	7KB (4K x 14)
Program Memory Type	FLASH
EEPROM Size	256 x 8
RAM Size	512 x 8
Voltage - Supply (Vcc/Vdd)	1.8V ~ 3.6V
Data Converters	A/D 11x12b; D/A 1x5b
Oscillator Type	Internal
Operating Temperature	-40°C ~ 125°C (TA)
Mounting Type	Through Hole
Package / Case	14-DIP (0.300", 7.62mm)
Supplier Device Package	14-PDIP
Purchase URL	<a href="https://www.e-xfl.com/product-detail/microchip-technology/pic16lf18424-e-p">https://www.e-xfl.com/product-detail/microchip-technology/pic16lf18424-e-p</a>



# PIC16(L)F184XX

---

---

## Full-Featured, Low Pin Count Microcontrollers with XLP Product Brief

---

---

### Description

---

PIC16(L)F184XX microcontrollers feature Intelligent Analog, Core Independent Peripherals (CIPs) and communication peripherals combined with eXtreme Low-Power (XLP) for a wide range of general purpose and low-power applications. Features such as a 12-bit Analog-to-Digital Converter with Computation (ADC<sup>2</sup>), Memory Access Partitioning (MAP), the Device Information Area (DIA), Power-saving operating modes, and Peripheral Pin Select (PPS), offer flexible solutions for a wide variety of custom applications.

### Core Features

---

- C Compiler Optimized RISC Architecture
- Only 48 instructions
- Operating Speed:
  - DC – 32 MHz clock input
  - 125 ns minimum instruction cycle
- Interrupt Capability
- 16-Level Deep Hardware Stack
- Timers:
  - Up to two 24-bit timers
  - Up to four 8-bit timers
  - Up to four 16-bit timers
- Low-Current Power-on Reset (POR)
- Configurable Power-up Timer (PWRTE)
- Brown-out Reset (BOR)
- Low-Power BOR (LPBOR) Option
- Windowed Watchdog Timer (WWDT):
  - Variable prescaler selection
  - Variable window size selection
  - Configurable in hardware (Configuration Words) and/or software
- Programmable Code Protection

### Memory

---

- Up to 28 KB Program Flash Memory
- Up to 2 KB Data SRAM Memory
- 256B Data EEPROM

- Direct, Indirect and Relative Addressing modes
- Memory Access Partition (MAP):
  - Write-protect
  - Customizable partition
- Device Information Area (DIA)
- Device Configuration Information (DCI)

## Operating Characteristics

---

- Operating Voltage Range:
  - 1.8V to 3.6V (PIC16LF184XX)
  - 2.3V to 5.5V (PIC16F184XX)
- Temperature Range:
  - Industrial: -40°C to 85°C
  - Extended: -40°C to 125°C

## Power-Saving Operation Modes

---

- Doze: CPU and Peripherals Running at Different Cycle Rates (typically CPU is lower)
- Idle: CPU Halted While Peripherals Operate
- Sleep: Lowest Power Consumption
- Peripheral Module Disable (PMD):
  - Ability to selectively disable hardware module to minimize active power consumption of unused peripherals

## eXtreme Low-Power (XLP) Features

---

- Sleep mode: 50 nA @ 1.8, typical
- Watchdog Timer: 500 nA @ 1.8V, typical
- Secondary Oscillator: 500 nA @ 32 kHz
- Operating Current:
  - 8 uA @ 32 kHz, 1.8V, typical
  - 32 uA/MHz @ 1.8V, typical

## Digital Peripherals

---

- Configurable Logic Cell (CLC):
  - 4 CLCs
  - Integrated combinational and sequential logic
- Complementary Waveform Generator (CWG):
  - Up to 3 CWGs
  - Rising and falling edge dead-band control
  - Full-bridge, half-bridge, 1-channel drive
  - Multiple signal sources
- Capture/Compare/PWM (CCP) modules:

- Up to 5 CCPs
- 16-bit resolution for Capture/Compare modes
- 10-bit resolution for PWM mode
- Pulse-Width Modulators (PWM):
  - 2 10-bit PWMs
- Numerically Controlled Oscillator (NCO):
  - Precision linear frequency generator (@50% duty cycle) with 0.0001% step size of source input clock
  - Input Clock:  $0 \text{ Hz} < f_{\text{NCO}} < 32 \text{ MHz}$
  - Resolution:  $f_{\text{NCO}}/2^{20}$
- Peripheral Pin Select (PPS):
  - I/O pin remapping of digital peripherals
- Serial Communications:
  - EUSART
    - Up to 2 EUSARTs
    - RS-232, RS-485, LIN compatible
    - Auto-Baud Detect, Auto-wake-up on Start.
  - Master Synchronous Serial Port (MSSP)
    - Up to 2 MSSPs
    - SPI
    - I<sup>2</sup>C, SMBus and PMBus™ compatible
- Data Signal Modulator (DSM)
  - Modulates a carrier signal with digital data to create custom carrier synchronized output waveforms
- Up to 26 I/O Pins:
  - Individually programmable pull-ups
  - Slew rate control
  - Interrupt-on-change with edge-select
  - Input level selection control (ST or TTL)
  - Digital open-drain enable
- Timer modules:
  - Timer0:
    - 8/16-bit timer/counter
    - Synchronous or asynchronous operation
    - Programmable prescaler/postscaler
    - Time base for capture/compare function
  - Timer1/3/5 with gate control:
    - 16-bit timer/counter
    - Programmable internal or external clock sources
    - Multiple gate sources
    - Multiple gate modes
    - Time base for capture/compare function
  - Timer2/4/6 with Hardware Limit Timer:
    - 8-bit timers

- Programmable prescaler/postscaler
- Time base for PWM function
- Hardware Limit (HLT) and one-shot extensions
- Selectable clock sources
- Signal Measurement Timer (SMT)
  - Up to 2 SMTs
  - 24-bit timer/counter with programmable prescaler

## Analog Peripherals

---

- Analog-to-Digital Converter (ADC):
  - 12-bit with up to 24 external channels
  - Conversion available during Sleep
  - Automated post-processing
  - Automated math functions on input signals:
    - Averaging, filter calculations, oversampling and threshold comparison
  - Integrated charge pump for low-voltage operation
  - CVD support
- Zero-Cross Detect (ZCD):
  - AC high voltage zero-crossing detection for simplifying TRIAC control
  - Synchronized switching control and timing
- Temperature Sensor Circuit
- Comparator:
  - 2 Comparators
  - Fixed Voltage Reference at (non)inverting input(s)
  - Comparator outputs externally accessible
- Digital-to-Analog Converter (DAC):
  - 5-bit resolution, rail-to-rail
  - Positive Reference Selection
  - Unbuffered I/O pin output
  - Internal connections to ADCs and comparators
- Fixed Voltage Reference (FVR) module:
  - 1.024V, 2.048V and 4.096V output levels

## Flexible Oscillator Structure

---

- High-Precision Internal Oscillator:
  - Software-selectable frequency range up to 32 MHz
  - $\pm 2\%$  at calibration (nominal)
- 4x PLL for use with external sources
  - up to 32 MHz (4-8 MHz input)
- 2x PLL for use with the HFINTOSC
  - up to 32 MHz
- Low-Power Internal 31 kHz Oscillator (LFINTOSC)
- External 32.768 kHz Crystal Oscillator (SOCS)

- External Oscillator Block with:
  - Three crystal/resonator modes up to 20 MHz
  - Three external clock modes up to 32 MHz
  - Fail-Safe Clock Monitor
    - Detects clock source failure
  - Oscillator Start-up Timer (OST)
    - Ensures stability of crystal oscillator sources

## Family Types

Table 1. PIC16(L)F184XX Family Types

Device	Program Flash Memory (Words)	Program Flash Memory (Kbytes)	Data Memory (EEPROM) (bytes)	Data SRAM (bytes)	I/O's <sup>(2)</sup>	12-bit ADC (ch)	5-bit DAC	Comparators	CWG	Clock Ref	Timers (8/16-bit)	CCP	PWM	NCO	EUSART	MSSP (I <sup>2</sup> C/SPI)	CLC	DSM	PPS	XLP	PMD	Windowed Watchdog Timer	Memory Access Partition	Device Information Area	Debug <sup>(1)</sup>
PIC16(L)F18424	4096	7	256	512	12	11	1	2	2	1	4/4	4	2	1	1	1	4	1	Y	Y	Y	Y	Y	Y	I
PIC16(L)F18425	8192	14	256	1024	12	11	1	2	2	1	4/4	4	2	1	1	2	4	1	Y	Y	Y	Y	Y	Y	I
PIC16(L)F18426	16384	28	256	2048	12	11	1	2	2	1	4/4	4	2	1	1	2	4	1	Y	Y	Y	Y	Y	Y	I
PIC16(L)F18444	4096	7	256	512	12	17	1	2	2	1	4/4	4	2	1	1	1	4	1	Y	Y	Y	Y	Y	Y	I
PIC16(L)F18445	8192	14	256	1024	12	17	1	2	2	1	4/4	4	2	1	1	2	4	1	Y	Y	Y	Y	Y	Y	I
PIC16(L)F18446	16384	28	256	2048	12	17	1	2	2	1	4/4	4	2	1	1	2	4	1	Y	Y	Y	Y	Y	Y	I
PIC16(L)F18455	8192	14	256	1024	26	24	1	2	3	1	4/4	5	2	1	2	2	4	1	Y	Y	Y	Y	Y	Y	I
PIC16(L)F18456	16384	28	256	2048	26	24	1	2	3	1	4/4	5	2	1	2	2	4	1	Y	Y	Y	Y	Y	Y	I

**Note:**

1. I - Debugging integrated on chip.
2. One pin is input-only.

## Packages

Packages	PDIP	SOIC	SSOP	TSSOP	UQFN (4x4)
PIC16(L)F18424	•	•		•	•
PIC16(L)F18425	•	•		•	•
PIC16(L)F18426	•	•		•	•
PIC16(L)F18444	•	•	•		•

Packages	PDIP	SOIC	SSOP	TSSOP	UQFN (4x4)
PIC16(L)F18445	•	•	•		•
PIC16(L)F18446	•	•	•		•
PIC16(L)F18455	•	•	•		•
PIC16(L)F18456	•	•	•		•

**Note:** Pin details are subject to change.

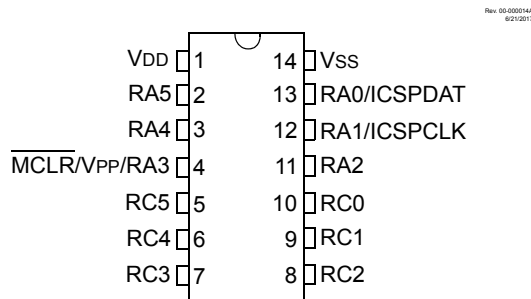


**Important:** For other small form-factor package availability and marking information, visit [www.microchip.com/packaging](http://www.microchip.com/packaging) or contact your local sales office.

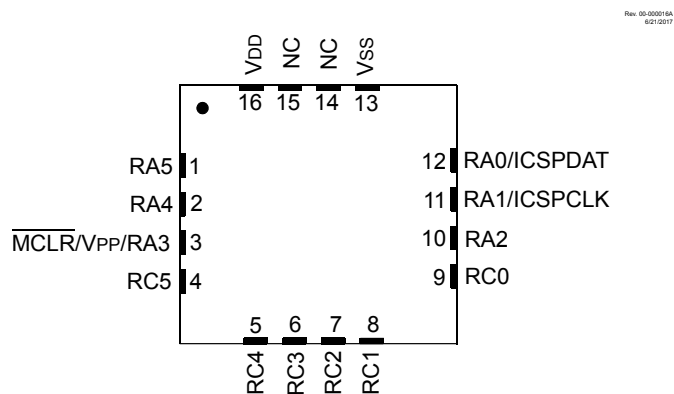
## Pin Diagrams

### 1 14/16-Pin Diagrams

**Figure 1. 14-Pin PDIP, SOIC, TSSOP**



**Figure 2. 16-Pin UQFN (4x4)**



**Note:** It is recommended that the exposed bottom pad be connected to  $V_{SS}$ .

#### Related Links

[14/16-Pin Allocation Table](#)

2 20-Pin Diagrams

Figure 3. 20-Pin PDIP, SOIC, TSSOP

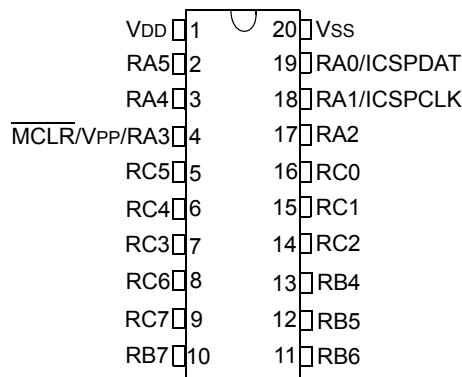
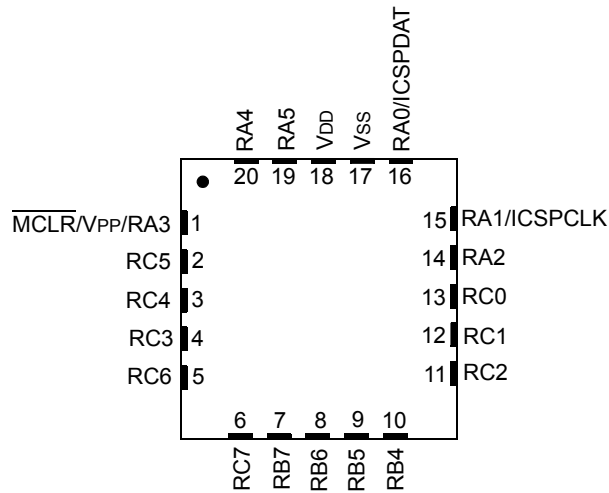


Figure 4. 20-Pin UQFN (4x4)



**Note:** It is recommended that the exposed bottom pad be connected to V<sub>SS</sub>.

**Related Links**

[20-Pin Allocation Table](#)



3 28-Pin Diagrams

Figure 5. 28-pin SPDIP, SSOP, SOIC

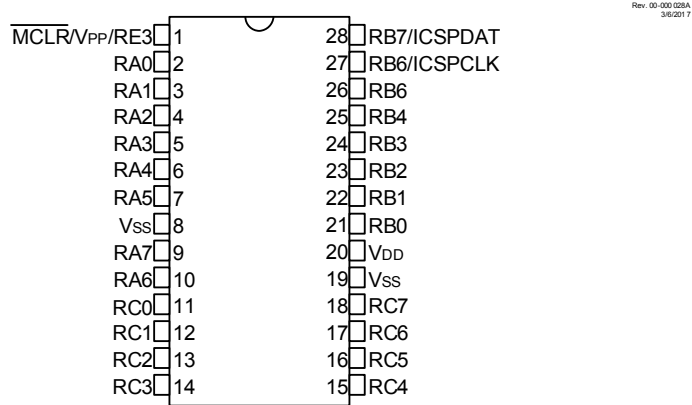
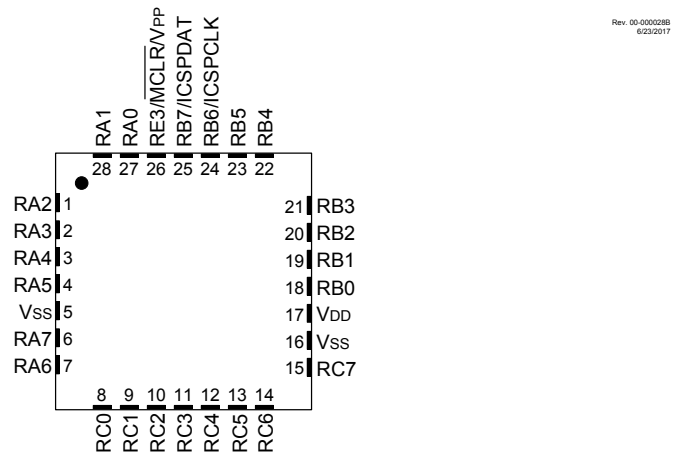


Figure 6. 28-pin UQFN



**Note:** It is recommended that the exposed bottom pad be connected to V<sub>SS</sub>.

**Related Links**

[28-Pin Allocation Table](#)

Pin Allocation Tables

1 14/16-Pin Allocation Table

I/O	14-pin PDIP/SOIC/TSSOP		ADC	Reference	Comparator	NCO	DAC	DSM	Timers	CCP	PWM	CWG	MSSP	ZCD	EUSART	CLC	CLKR	Interrupts	Pull-up	Basic		
	16-pin UQFN	16-pin UQFN																				
RA0	13	12	ANA0	—	C1IN0+	—	DAC1OUT1	MDSRC <sup>(1)</sup>	—	—	—	—	SS2 <sup>(1)</sup>	—	—	—	—	IOCA0	Y	ICDDAT ICSPDAT		
RA1	12	11	ANA1	ADCVREF+	C1IN0 C2IN0-	—	DAC1VREF+	—	—	—	—	—	—	—	—	—	—	IOCA1	Y	ICDCLK ICSPCLK		
RA2	11	10	ANA2	ADCVREF-	—	—	DAC1VREF-	—	T0CK <sup>(1)</sup>	CCP3IN <sup>(1)</sup>	—	CWG1IN <sup>(1)</sup> CWG2IN <sup>(1)</sup>	—	ZCD1	—	—	—	IOCA2	Y	INT0 <sup>(1)</sup>		
RA3	4	3	—	—	—	—	—	—	T6IN <sup>(1)</sup>	—	—	—	—	—	—	—	—	IOCA3	Y	MCLR Vpp		
RA4	3	2	ANA4	—	—	—	—	—	T1G <sup>(1)</sup> SMT1WIN <sup>(1)</sup>	—	—	—	—	—	—	—	—	IOCA4	Y	CLKOUT SOSCO OSC2		
RA5	2	1	ANA5	—	—	—	—	—	T1CK <sup>(1)</sup> T2IN <sup>(1)</sup> SMT1SIG <sup>(1)</sup>	—	—	—	—	—	—	CLCIN3 <sup>(1)</sup>	—	IOCA5	Y	CLKIN SOSCI OSC1		
RC0	10	9	ANC0	—	C2IN0+	—	—	—	T5CK <sup>(1)</sup>	—	—	—	SCK1 <sup>(1)</sup> SCL1 <sup>(1,3,4)</sup>	—	—	—	—	IOCC0	Y	—		
RC1	9	8	ANC1	—	C1IN1- C2IN1-	—	—	—	T4IN <sup>(1)</sup>	CCP4IN <sup>(1)</sup>	—	—	SDI1 <sup>(1)</sup> SDA1 <sup>(1,3,4)</sup>	—	—	CLCIN2 <sup>(1)</sup>	—	IOCC1	Y	—		
RC2	8	7	ANC2 ADACT <sup>(1)</sup>	—	C1IN2- C2IN2-	—	—	MDCARL <sup>(1)</sup>	—	—	—	—	—	—	—	—	—	IOCC2	Y	—		
RC3	7	6	ANC3	—	C1IN3- C2IN3-	—	—	—	T5G <sup>(1)</sup>	CCP2IN <sup>(1)</sup>	—	—	SS1 <sup>(1)</sup>	—	—	CLCIN0 <sup>(1)</sup>	—	IOCC3	Y	—		
RC4	6	5	ANC4	—	—	—	—	—	T3G <sup>(1)</sup>	—	—	—	SCK2 <sup>(1,5)</sup> SCL2 <sup>(1,3,4,5)</sup>	—	CK1 <sup>(1,3)</sup>	CLCIN1 <sup>(1)</sup>	—	IOCC4	Y	—		
RC5	5	4	ANC5	—	—	—	—	MDCARH <sup>(1)</sup>	T3CK <sup>(1)</sup>	CCP1IN <sup>(1)</sup>	—	—	SDI2 <sup>(1,5)</sup> SDA2 <sup>(1,3,4,5)</sup>	—	RX1 <sup>(1)</sup> DT1 <sup>(1,3)</sup>	—	—	IOCC5	Y	—		
VDD	1	16	—	—	—	—	—	—	—	—	—	—	—	—	—	—	—	—	—	—	VDD	
VSS	14	13	—	—	—	—	—	—	—	—	—	—	—	—	—	—	—	—	—	—	—	VSS
OUT <sup>(2)</sup>	—	—	ADCGRDA	—	C1OUT	NCO1OUT	—	DSM1OUT	TMR0OUT	CCP1OUT	PWM6OUT	CWG1A CWG2A	SDO1 SDO2	—	DT1 <sup>(3)</sup>	CLC1OUT	CLKR	—	—	—	—	

I/O	14-pin PDIP/SOIC/TSSOP	16-pin UQFN	ADC	Reference	Comparator	NCO	DAC	DSM	Timers	CCP	PWM	CWG	MSSP	ZCD	EUSART	CLC	CLKR	Interrupts	Pull-up	Basic
	—	—	ADCGRDB	—	C2OUT	—	—	—	—	CCP2OUT	PWM7OUT	CWG1B CWG2B	SCK1 SCK2	—	CK1 <sup>(3)</sup>	CLC2OUT	—	—	—	—
	—	—	—	—	—	—	—	—	—	CCP3OUT	—	CWG1C CWG2C	SCL1 <sup>(3)</sup> SCL2 <sup>(3)</sup>	—	TX1	CLC3OUT	—	—	—	—
	—	—	—	—	—	—	—	—	—	CCP4OUT	—	CWG1D CWG2D	SDA1 <sup>(3)</sup> SDA2 <sup>(3)</sup>	—	—	CLC4OUT	—	—	—	—

**Note:**

1. This is a PPS re-mappable input signal. The input function may be moved from the default location shown to one of several other PORTx pins.
2. All digital output signals shown in these rows are PPS re-mappable. These signals may be mapped to output onto one of several PORTx pin options.
3. This is a bidirectional signal. For normal module operation, the firmware should map this signal to the same pin in both the PPS input and PPS output registers.
4. These pins are configured for I<sup>2</sup>C logic levels. PPS assignments to the other pins will operate, but input logic levels will be standard TTL/ST as selected by the INLVL register, instead of the I<sup>2</sup>C specific or SMBUS input buffer thresholds.
5. MSSP2 is not available on the PIC16(L)F18424 or PIC16(L)F18444 devices.

## 2 20-Pin Allocation Table

I/O	20-pin PDIP/SOIC/TSSOP	20-pin UQFN	ADC	Reference	Comparator	NCO	DAC	DSM	Timers	CCP	PWM	CWG	MSSP	ZCD	EUSART	CLC	CLKR	Interrupts	Pull-up	Basic	
RA0	19	16	ANA0	—	C1IN0+	—	DAC1OUT1	—	—	—	—	—	—	—	—	—	—	IOCA0	Y	ICDDAT/ ICSPDAT	
RA1	18	15	ANA1	ADCVREF +	C1IN0- C2IN0-	—	DAC1VREF +	MDSRC <sup>(1)</sup>	—	—	—	—	SS2 <sup>(1)</sup>	—	—	—	—	—	IOCA1	Y	ICDCLK/ ICSPCLK
RA2	17	14	ANA2	ADCVREF-	—	—	DAC1VREF-	—	T0CK1 <sup>(1)</sup>	—	—	CWG1IN <sup>(1)</sup> CWG2IN <sup>(1)</sup>	—	ZCD1	—	CLCIN0 <sup>(1)</sup>	—	IOCA2	Y	INT0 <sup>(1)</sup>	
RA3	4	1	—	—	—	—	—	—	—	—	—	—	—	—	—	—	—	IOCA3	Y	MCLR VPP	
RA4	3	20	ANA4	—	—	—	—	—	T1G <sup>(1)</sup>	CCP4IN <sup>(1)</sup>	—	—	—	—	—	—	—	IOCA4	Y	CLKOUT	

# PIC16(L)F184XX

I/O	20-pin PDIP/SOIC/TSSOP	20-pin UQFN	ADC	Reference	Comparator	NCO	DAC	DSM	Timers	CCP	PWM	CWG	MSSP	ZCD	EUSART	CLC	CLKR	Interrupts	Pull-up	Basic
									SMT1WIN <sup>(1)</sup>											SOSCO OSC2
RA5	2	19	ANA5	—	—	—	—	—	T1CK1 <sup>(1)</sup> T2IN <sup>(1)</sup> SMT1SIG <sup>(1)</sup>	—	—	—	—	—	—	—	—	IOCA5	Y	CLKIN SOSCI OSC1
RB4	13	10	ANB4	—	—	—	—	—	T5G <sup>(1)</sup>	—	—	—	SDI1 <sup>(1)</sup> SDA1(1,3,4)	—	—	CLCIN2 <sup>(1)</sup>	—	IOCB4	Y	—
RB5	12	9	ANB5	—	—	—	—	—	—	CCP3IN <sup>(1)</sup>	—	—	SCK2 <sup>(1,5)</sup> SCL2(1,3,4,5)	—	RX1 <sup>(1)</sup> DT1(1,3)	CLCIN3 <sup>(1)</sup>	—	IOCB5	Y	—
RB6	11	8	ANB6	—	—	—	—	—	—	—	—	—	SCK1 <sup>(1)</sup> SCL1(1,3,4)	—	—	—	—	IOCB6	Y	—
RB7	10	7	ANB7	—	—	—	—	—	T6IN <sup>(1)</sup>	—	—	—	SDI2(1,5) SDA2(1,3,4,5)	—	CK1(1,3)	—	—	IOCB7	Y	—
RC0	16	13	ANC0	—	C2IN0+	—	—	—	T3CK1 <sup>(1)</sup> T3G <sup>(1)</sup>	—	—	—	—	—	—	—	—	IOCC0	Y	—
RC1	15	12	ANC1	—	C1IN1- C2IN1-	—	—	—	—	—	—	—	—	—	—	—	—	IOCC1	Y	—
RC2	14	11	ANC2 ADACT <sup>(1)</sup>	—	C1IN2- C2IN2-	—	—	MDCARL <sup>(1)</sup>	T5CK1 <sup>(1)</sup>	—	—	—	—	—	—	—	—	IOCC2	Y	—
RC3	7	4	ANC3	—	C1IN3- C2IN3-	—	—	—	—	CCP2IN <sup>(1)</sup>	—	—	—	—	—	CLCIN1 <sup>(1)</sup>	—	IOCC3	Y	—
RC4	6	3	ANC4	—	—	—	—	—	—	—	—	—	—	—	—	—	—	IOCC4	Y	—
RC5	5	2	ANC5	—	—	—	—	MDCARH <sup>(1)</sup>	T4IN <sup>(1)</sup>	CCP1IN <sup>(1)</sup>	—	—	—	—	—	—	—	IOCC5	Y	—
RC6	8	5	ANC6	—	—	—	—	—	—	—	—	—	SS1 <sup>(1)</sup>	—	—	—	—	IOCC6	Y	—
RC7	9	6	ANC7	—	—	—	—	—	—	—	—	—	—	—	—	—	—	IOCC7	Y	—
VDD	1	18	—	—	—	—	—	—	—	—	—	—	—	—	—	—	—	—	—	VDD
VSS	20	17	—	—	—	—	—	—	—	—	—	—	—	—	—	—	—	—	—	VSS
OUT <sup>(2)</sup>	—	—	ADCGRDA	—	C1OUT	NCO1OUT	—	DSM1OUT	TMR0OUT	CCP1OUT	PWM6OUT	CWG1A CWG2A	SDO1 SDO2	—	DT1 <sup>(3)</sup>	CLC1OUT	CLKR	—	—	—
	—	—	ADCGRDB	—	C2OUT	—	—	—	—	CCP2OUT	PWM7OUT	CWG1B CWG2B	SCK1 SCK2	—	CK1 <sup>(3)</sup>	CLC2OUT	—	—	—	—

I/O	20-pin PDIP/SOIC/TSSOP	20-pin UQFN	ADC	Reference	Comparator	NCO	DAC	DSM	Timers	CCP	PWM	CWG	MSSP	ZCD	EUSART	CLC	CLKR	Interrupts	Pull-up	Basic
	—	—	—	—	—	—	—	—	—	CCP3OUT	—	CWG1C CWG2C	SCL1 <sup>(3)</sup> SCL2 <sup>(3)</sup>	—	TX1	CLC3OUT	—	—	—	—
	—	—	—	—	—	—	—	—	—	CCP4OUT	—	CWG1D CWG2D	SDA1 <sup>(3)</sup> SDA2 <sup>(3)</sup>	—	—	CLC4OUT	—	—	—	—

**Note:**

1. This is a PPS re-mappable input signal. The input function may be moved from the default location shown to one of several other PORTx pins.
2. All digital output signals shown in these rows are PPS re-mappable. These signals may be mapped to output onto one of several PORTx pin options.
3. This is a bidirectional signal. For normal module operation, the firmware should map this signal to the same pin in both the PPS input and PPS output registers.
4. These pins are configured for I<sup>2</sup>C logic levels. PPS assignments to the other pins will operate, but input logic levels will be standard TTL/ST as selected by the INLVL register, instead of the I<sup>2</sup>C specific or SMBUS input buffer thresholds.
5. MSSP2 is not available on the PIC16(L)F18424 or PIC16(L)F18444 devices.

### 3 28-Pin Allocation Table

I/O	28-pin PDIP/SOIC/TSSOP	28-pin UQFN	ADC	Reference	Comparator	NCO	DAC	DSM	Timers	CCP	PWM	CWG	MSSP	ZCD	EUSART	CLC	CLKR	Interrupts	Pull-up	Basic	
RA0	2	27	ANA0	—	C1IN0- C2IN0-	—	—	—	—	—	—	—	—	—	—	CLCIN0 <sup>(1)</sup>	—	IOCA0	Y	—	
RA1	3	28	ANA1	—	C1IN1- C2IN1-	—	—	—	—	—	—	—	—	—	—	CLCIN1 <sup>(1)</sup>	—	IOCA1	Y	—	
RA2	4	1	ANA2	ADCVREF-	C1IN0+ C2IN0+	—	DAC1VREF- DAC1OUT1	—	—	—	—	—	—	—	—	—	—	—	IOCA2	Y	—
RA3	5	2	ANA3	ADCVREF+	C1IN1+	—	DAC1VREF+	MDCARL <sup>(1)</sup>	—	—	—	—	—	—	—	—	—	—	IOCA3	Y	—
RA4	6	3	ANA4	—	—	—	—	MDCARH <sup>(1)</sup>	T0CKI <sup>(1)</sup>	CCP5IN <sup>(1)</sup>	—	—	—	—	—	—	—	—	IOCA4	Y	—
RA5	7	4	ANA5	—	—	—	—	MDSRC <sup>(1)</sup>	—	—	—	—	SS1 <sup>(1)</sup>	—	—	—	—	—	IOCA5	Y	—
RA6	10	7	ANA6	—	—	—	—	—	—	—	—	—	—	—	—	—	—	—	IOCA6	Y	OSC2 CLKOUT
RA7	9	6	ANA7	—	—	—	—	—	—	—	—	—	—	—	—	—	—	—	IOCA7	Y	OSC1 CLKIN
RB0	21	18	ANB0	—	C2IN1+	—	—	—	—	CCP4IN <sup>(1)</sup>	—	CWG1IN <sup>(1)</sup>	—	ZCD1	—	—	—	—	IOCB0	Y	INT0 <sup>(1)</sup>

# PIC16(L)F184XX

I/O	28-pin PDIP/SOIC/TSSOP	28-pin UQFN	ADC	Reference	Comparator	NCO	DAC	DSM	Timers	CCP	PWM	CWG	MSSP	ZCD	EUSART	GLC	CLKR	Interrupts	Pull-up	Basic	
RB1	22	19	ANB1	—	C1IN3- C2IN3-	—	—	—	—	—	—	CWG2IN(1)	SCK2(1) SCL2(1,3)	—	—	—	—	IOCB1	Y	—	
RB2	23	20	ANB2	—	—	—	—	—	—	—	—	CWG3IN(1)	SDI2(1) SDA2(1,3)SSZ(1)	—	—	—	—	IOCB2	Y	—	
RB3	24	21	ANB3	—	C1IN2- C2IN2-	—	—	—	—	—	—	—	—	—	—	—	—	IOCB3	Y	—	
RB4	25	22	ANB4 ADACT(1)	—	—	—	—	—	T5G(1) SMT2WIN(1)	—	—	—	—	—	—	—	—	IOCB4	Y	—	
RB5	26	23	ANB5	—	—	—	—	—	T1G(1) SMT2SIG(1)	CCP3IN(1)	—	—	—	—	—	—	—	IOCB5	Y	—	
RB6	27	24	ANB6	—	—	—	—	—	—	—	—	—	—	—	CK2(1,3)	CLCIN2(1)	—	IOCB6	Y	ICSPCLK IODCLK	
RB7	28	25	ANB7	—	—	—	DAC1OUT2	—	T6IN(1)	—	—	—	—	—	RX2(1) DT2(1,3)	—	—	IOCB7	Y	ICSPDAT ICDDAT	
RC0	11	8	ANC0	—	—	—	—	—	T1CK(1) T3CK(1) T3G(1) SMT1WIN(1)	—	—	—	—	—	—	—	—	IOCC0	Y	SOSCO	
RC1	12	9	ANC1	—	—	—	—	—	SMT1SIG(1)	CCP2IN(1)	—	—	—	—	—	—	—	IOCC1	Y	SOSCI	
RC2	13	10	ANC2	—	—	—	—	—	T5CK(1)	CCP1IN(1)	—	—	—	—	—	—	—	IOCC2	Y	—	
RC3	14	11	ANC3	—	—	—	—	—	T2IN(1)	—	—	—	SCK1(1) SCL1(1,3)	—	—	—	—	IOCC3	Y	—	
RC4	15	12	ANC4	—	—	—	—	—	—	—	—	—	SDI1(1) SDA1(1,3)	—	—	—	—	IOCC4	Y	—	
RC5	16	13	ANC5	—	—	—	—	—	T4IN(1)	—	—	—	—	—	—	—	—	IOCC5	Y	—	
RC6	17	14	ANC6	—	—	—	—	—	—	—	—	—	—	—	—	CK1(1,3)	—	IOCC6	Y	—	
RC7	18	15	ANC7	—	—	—	—	—	—	—	—	—	—	—	—	RX1(1) DT1(1,3)	—	IOCC7	Y	—	
RE3	1	26	—	—	—	—	—	—	—	—	—	—	—	—	—	—	—	IOCE3	Y	MCLR VPP	
VDD	20	17	—	—	—	—	—	—	—	—	—	—	—	—	—	—	—	—	—	—	VDD
VSS	8	5	—	—	—	—	—	—	—	—	—	—	—	—	—	—	—	—	—	—	VSS
VSS	19	16	—	—	—	—	—	—	—	—	—	—	—	—	—	—	—	—	—	—	VSS
OUT(2)	—	—	ADCGRDA	—	C1OUT NCO1OUT	—	—	DSM1OUT	TMR0OUT	CCP1OUT	PWM6OUT	CWG1A CWG2A CWG3A	SDO1 SDO2	—	DT1(3) DT2(3)	CLC1OUT	CLKR	—	—	—	

I/O	28-pin PDIP/SOIC/TSSOP	28-pin UQFN	ADC	Reference	Comparator	NCO	DAC	DSM	Timers	CCP	PWM	CWG	MSSP	ZCD	EUSART	CLC	CLKR	Interrupts	Pull-up	Basic
—	—	—	ADCGRDB	—	C2OUT	—	—	—	—	CCP2OUT	PWM7OUT	CWG1B CWG2B CWG3B	SCK1 SCK2	—	CK1 <sup>(3)</sup> CK2 <sup>(3)</sup>	CLC2OUT	—	—	—	—
—	—	—	—	—	—	—	—	—	—	CCP3OUT	—	CWG1C CWG2C CWG3C	SCL1 <sup>(3)</sup> SCL2 <sup>(3)</sup>	—	TX1 TX2	CLC3OUT	—	—	—	—
—	—	—	—	—	—	—	—	—	—	CCP4OUT	—	CWG1D CWG2D CWG3D	SDA1 <sup>(3)</sup> SDA2 <sup>(3)</sup>	—	—	CLC4OUT	—	—	—	—
—	—	—	—	—	—	—	—	—	—	CCP5OUT	—	—	—	—	—	—	—	—	—	—

**Note:**

1. This is a PPS re-mappable input signal. The input function may be moved from the default location shown to one of several other PORTx pins.
2. All digital output signals shown in these rows are PPS re-mappable. These signals may be mapped to output onto one of several PORTx pin options.
3. This is a bidirectional signal. For normal module operation, the firmware should map this signal to the same pin in both the PPS input and PPS output registers.

## The Microchip Web Site

---

Microchip provides online support via our web site at <http://www.microchip.com/>. This web site is used as a means to make files and information easily available to customers. Accessible by using your favorite Internet browser, the web site contains the following information:

- **Product Support** – Data sheets and errata, application notes and sample programs, design resources, user's guides and hardware support documents, latest software releases and archived software
- **General Technical Support** – Frequently Asked Questions (FAQ), technical support requests, online discussion groups, Microchip consultant program member listing
- **Business of Microchip** – Product selector and ordering guides, latest Microchip press releases, listing of seminars and events, listings of Microchip sales offices, distributors and factory representatives

## Customer Change Notification Service

---

Microchip's customer notification service helps keep customers current on Microchip products. Subscribers will receive e-mail notification whenever there are changes, updates, revisions or errata related to a specified product family or development tool of interest.

To register, access the Microchip web site at <http://www.microchip.com/>. Under "Support", click on "Customer Change Notification" and follow the registration instructions.

## Customer Support

---

Users of Microchip products can receive assistance through several channels:

- Distributor or Representative
- Local Sales Office
- Field Application Engineer (FAE)
- Technical Support

Customers should contact their distributor, representative or Field Application Engineer (FAE) for support. Local sales offices are also available to help customers. A listing of sales offices and locations is included in the back of this document.

Technical support is available through the web site at: <http://www.microchip.com/support>

## Microchip Devices Code Protection Feature

---

Note the following details of the code protection feature on Microchip devices:

- Microchip products meet the specification contained in their particular Microchip Data Sheet.
- Microchip believes that its family of products is one of the most secure families of its kind on the market today, when used in the intended manner and under normal conditions.
- There are dishonest and possibly illegal methods used to breach the code protection feature. All of these methods, to our knowledge, require using the Microchip products in a manner outside the operating specifications contained in Microchip's Data Sheets. Most likely, the person doing so is engaged in theft of intellectual property.
- Microchip is willing to work with the customer who is concerned about the integrity of their code.



- Neither Microchip nor any other semiconductor manufacturer can guarantee the security of their code. Code protection does not mean that we are guaranteeing the product as “unbreakable.”

Code protection is constantly evolving. We at Microchip are committed to continuously improving the code protection features of our products. Attempts to break Microchip’s code protection feature may be a violation of the Digital Millennium Copyright Act. If such acts allow unauthorized access to your software or other copyrighted work, you may have a right to sue for relief under that Act.

## Legal Notice

Information contained in this publication regarding device applications and the like is provided only for your convenience and may be superseded by updates. It is your responsibility to ensure that your application meets with your specifications. MICROCHIP MAKES NO REPRESENTATIONS OR WARRANTIES OF ANY KIND WHETHER EXPRESS OR IMPLIED, WRITTEN OR ORAL, STATUTORY OR OTHERWISE, RELATED TO THE INFORMATION, INCLUDING BUT NOT LIMITED TO ITS CONDITION, QUALITY, PERFORMANCE, MERCHANTABILITY OR FITNESS FOR PURPOSE. Microchip disclaims all liability arising from this information and its use. Use of Microchip devices in life support and/or safety applications is entirely at the buyer’s risk, and the buyer agrees to defend, indemnify and hold harmless Microchip from any and all damages, claims, suits, or expenses resulting from such use. No licenses are conveyed, implicitly or otherwise, under any Microchip intellectual property rights unless otherwise stated.

## Trademarks

The Microchip name and logo, the Microchip logo, AnyRate, AVR, AVR logo, AVR Freaks, BeaconThings, BitCloud, CryptoMemory, CryptoRF, dsPIC, FlashFlex, flexPWR, Heldo, JukeBlox, KeeLoq, KeeLoq logo, Klear, LANCheck, LINK MD, maXStylus, maXTouch, MediaLB, megaAVR, MOST, MOST logo, MPLAB, OptoLyzer, PIC, picoPower, PICSTART, PIC32 logo, Prochip Designer, QTouch, RightTouch, SAM-BA, SpyNIC, SST, SST Logo, SuperFlash, tinyAVR, UNI/O, and XMEGA are registered trademarks of Microchip Technology Incorporated in the U.S.A. and other countries.

ClockWorks, The Embedded Control Solutions Company, EtherSynch, Hyper Speed Control, HyperLight Load, IntelliMOS, mTouch, Precision Edge, and Quiet-Wire are registered trademarks of Microchip Technology Incorporated in the U.S.A.

Adjacent Key Suppression, AKS, Analog-for-the-Digital Age, Any Capacitor, AnyIn, AnyOut, BodyCom, chipKIT, chipKIT logo, CodeGuard, CryptoAuthentication, CryptoCompanion, CryptoController, dsPICDEM, dsPICDEM.net, Dynamic Average Matching, DAM, ECAN, EtherGREEN, In-Circuit Serial Programming, ICSP, Inter-Chip Connectivity, JitterBlocker, KlearNet, KlearNet logo, Mindi, MiWi, motorBench, MPASM, MPF, MPLAB Certified logo, MPLIB, MPLINK, MultiTRAK, NetDetach, Omniscient Code Generation, PICDEM, PICDEM.net, PICTail, PureSilicon, QMatrix, RightTouch logo, REAL ICE, Ripple Blocker, SAM-ICE, Serial Quad I/O, SMART-I.S., SQI, SuperSwitcher, SuperSwitcher II, Total Endurance, TSHARC, USBCheck, VariSense, ViewSpan, WiperLock, Wireless DNA, and ZENA are trademarks of Microchip Technology Incorporated in the U.S.A. and other countries.

SQTP is a service mark of Microchip Technology Incorporated in the U.S.A.

Silicon Storage Technology is a registered trademark of Microchip Technology Inc. in other countries.

GestIC is a registered trademark of Microchip Technology Germany II GmbH & Co. KG, a subsidiary of Microchip Technology Inc., in other countries.

All other trademarks mentioned herein are property of their respective companies.

© 2017, Microchip Technology Incorporated, Printed in the U.S.A., All Rights Reserved.

ISBN: 978-1-5224-2115-3

## Quality Management System Certified by DNV

---

### ISO/TS 16949

Microchip received ISO/TS-16949:2009 certification for its worldwide headquarters, design and wafer fabrication facilities in Chandler and Tempe, Arizona; Gresham, Oregon and design centers in California and India. The Company's quality system processes and procedures are for its PIC<sup>®</sup> MCUs and dsPIC<sup>®</sup> DSCs, KEELOQ<sup>®</sup> code hopping devices, Serial EEPROMs, microperipherals, nonvolatile memory and analog products. In addition, Microchip's quality system for the design and manufacture of development systems is ISO 9001:2000 certified.

## Worldwide Sales and Service

AMERICAS	ASIA/PACIFIC	ASIA/PACIFIC	EUROPE
<p><b>Corporate Office</b> 2355 West Chandler Blvd. Chandler, AZ 85224-6199 Tel: 480-792-7200 Fax: 480-792-7277 Technical Support: <a href="http://www.microchip.com/support">http://www.microchip.com/support</a> Web Address: <a href="http://www.microchip.com">www.microchip.com</a></p> <p><b>Atlanta</b> Duluth, GA Tel: 678-957-9614 Fax: 678-957-1455</p> <p><b>Austin, TX</b> Tel: 512-257-3370</p> <p><b>Boston</b> Westborough, MA Tel: 774-760-0087 Fax: 774-760-0088</p> <p><b>Chicago</b> Itasca, IL Tel: 630-285-0071 Fax: 630-285-0075</p> <p><b>Dallas</b> Addison, TX Tel: 972-818-7423 Fax: 972-818-2924</p> <p><b>Detroit</b> Novi, MI Tel: 248-848-4000</p> <p><b>Houston, TX</b> Tel: 281-894-5983</p> <p><b>Indianapolis</b> Noblesville, IN Tel: 317-773-8323 Fax: 317-773-5453 Tel: 317-536-2380</p> <p><b>Los Angeles</b> Mission Viejo, CA Tel: 949-462-9523 Fax: 949-462-9608 Tel: 951-273-7800</p> <p><b>Raleigh, NC</b> Tel: 919-844-7510</p> <p><b>New York, NY</b> Tel: 631-435-6000</p> <p><b>San Jose, CA</b> Tel: 408-735-9110 Tel: 408-436-4270</p> <p><b>Canada - Toronto</b> Tel: 905-695-1980 Fax: 905-695-2078</p>	<p><b>Asia Pacific Office</b> Suites 3707-14, 37th Floor Tower 6, The Gateway Harbour City, Kowloon</p> <p><b>Hong Kong</b> Tel: 852-2943-5100 Fax: 852-2401-3431</p> <p><b>Australia - Sydney</b> Tel: 61-2-9868-6733 Fax: 61-2-9868-6755</p> <p><b>China - Beijing</b> Tel: 86-10-8569-7000 Fax: 86-10-8528-2104</p> <p><b>China - Chengdu</b> Tel: 86-28-8665-5511 Fax: 86-28-8665-7889</p> <p><b>China - Chongqing</b> Tel: 86-23-8980-9588 Fax: 86-23-8980-9500</p> <p><b>China - Dongguan</b> Tel: 86-769-8702-9880</p> <p><b>China - Guangzhou</b> Tel: 86-20-8755-8029</p> <p><b>China - Hangzhou</b> Tel: 86-571-8792-8115 Fax: 86-571-8792-8116</p> <p><b>China - Hong Kong SAR</b> Tel: 852-2943-5100 Fax: 852-2401-3431</p> <p><b>China - Nanjing</b> Tel: 86-25-8473-2460 Fax: 86-25-8473-2470</p> <p><b>China - Qingdao</b> Tel: 86-532-8502-7355 Fax: 86-532-8502-7205</p> <p><b>China - Shanghai</b> Tel: 86-21-3326-8000 Fax: 86-21-3326-8021</p> <p><b>China - Shenyang</b> Tel: 86-24-2334-2829 Fax: 86-24-2334-2393</p> <p><b>China - Shenzhen</b> Tel: 86-755-8864-2200 Fax: 86-755-8203-1760</p> <p><b>China - Wuhan</b> Tel: 86-27-5980-5300 Fax: 86-27-5980-5118</p> <p><b>China - Xian</b> Tel: 86-29-8833-7252 Fax: 86-29-8833-7256</p>	<p><b>China - Xiamen</b> Tel: 86-592-2388138 Fax: 86-592-2388130</p> <p><b>China - Zhuhai</b> Tel: 86-756-3210040 Fax: 86-756-3210049</p> <p><b>India - Bangalore</b> Tel: 91-80-3090-4444 Fax: 91-80-3090-4123</p> <p><b>India - New Delhi</b> Tel: 91-11-4160-8631 Fax: 91-11-4160-8632</p> <p><b>India - Pune</b> Tel: 91-20-3019-1500</p> <p><b>Japan - Osaka</b> Tel: 81-6-6152-7160 Fax: 81-6-6152-9310</p> <p><b>Japan - Tokyo</b> Tel: 81-3-6880-3770 Fax: 81-3-6880-3771</p> <p><b>Korea - Daegu</b> Tel: 82-53-744-4301 Fax: 82-53-744-4302</p> <p><b>Korea - Seoul</b> Tel: 82-2-554-7200 Fax: 82-2-558-5932 or 82-2-558-5934</p> <p><b>Malaysia - Kuala Lumpur</b> Tel: 60-3-6201-9857 Fax: 60-3-6201-9859</p> <p><b>Malaysia - Penang</b> Tel: 60-4-227-8870 Fax: 60-4-227-4068</p> <p><b>Philippines - Manila</b> Tel: 63-2-634-9065 Fax: 63-2-634-9069</p> <p><b>Singapore</b> Tel: 65-6334-8870 Fax: 65-6334-8850</p> <p><b>Taiwan - Hsin Chu</b> Tel: 886-3-5778-366 Fax: 886-3-5770-955</p> <p><b>Taiwan - Kaohsiung</b> Tel: 886-7-213-7830</p> <p><b>Taiwan - Taipei</b> Tel: 886-2-2508-8600 Fax: 886-2-2508-0102</p> <p><b>Thailand - Bangkok</b> Tel: 66-2-694-1351 Fax: 66-2-694-1350</p>	<p><b>Austria - Wels</b> Tel: 43-7242-2244-39 Fax: 43-7242-2244-393</p> <p><b>Denmark - Copenhagen</b> Tel: 45-4450-2828 Fax: 45-4485-2829</p> <p><b>Finland - Espoo</b> Tel: 358-9-4520-820</p> <p><b>France - Paris</b> Tel: 33-1-69-53-63-20 Fax: 33-1-69-30-90-79</p> <p><b>France - Saint Cloud</b> Tel: 33-1-30-60-70-00</p> <p><b>Germany - Garching</b> Tel: 49-8931-9700</p> <p><b>Germany - Haan</b> Tel: 49-2129-3766400</p> <p><b>Germany - Heilbronn</b> Tel: 49-7131-67-3636</p> <p><b>Germany - Karlsruhe</b> Tel: 49-721-625370</p> <p><b>Germany - Munich</b> Tel: 49-89-627-144-0 Fax: 49-89-627-144-44</p> <p><b>Germany - Rosenheim</b> Tel: 49-8031-354-560</p> <p><b>Israel - Ra'anana</b> Tel: 972-9-744-7705</p> <p><b>Italy - Milan</b> Tel: 39-0331-742611 Fax: 39-0331-466781</p> <p><b>Italy - Padova</b> Tel: 39-049-7625286</p> <p><b>Netherlands - Drunen</b> Tel: 31-416-690399 Fax: 31-416-690340</p> <p><b>Norway - Trondheim</b> Tel: 47-7289-7561</p> <p><b>Poland - Warsaw</b> Tel: 48-22-3325737</p> <p><b>Romania - Bucharest</b> Tel: 40-21-407-87-50</p> <p><b>Spain - Madrid</b> Tel: 34-91-708-08-90 Fax: 34-91-708-08-91</p> <p><b>Sweden - Gothenberg</b> Tel: 46-31-704-60-40</p> <p><b>Sweden - Stockholm</b> Tel: 46-8-5090-4654</p> <p><b>UK - Wokingham</b> Tel: 44-118-921-5800 Fax: 44-118-921-5820</p>